

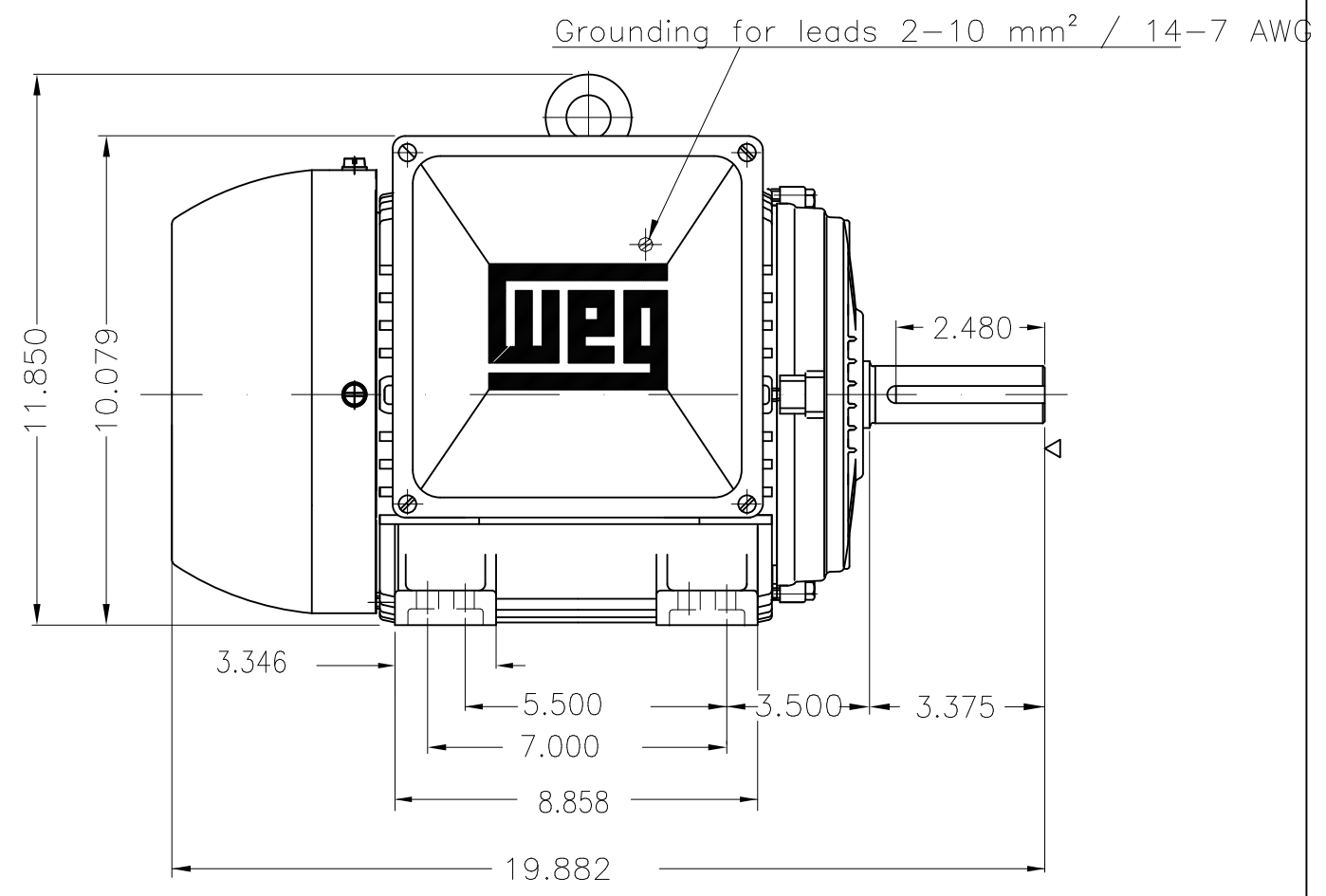
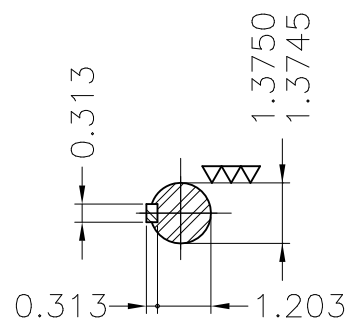
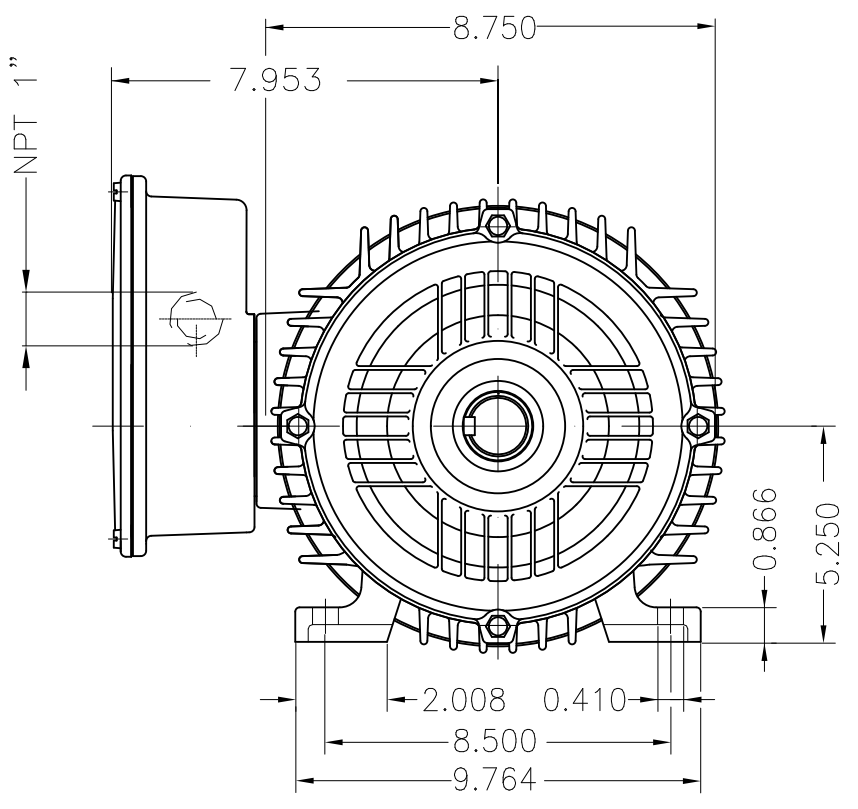
A

B

C

D

E



Mounting NEMA F-1					
Mounting B3R(D)					
				HYBRISUSER	00
ECM	LOC	SUMMARY OF MODIFICATIONS		EXECUTED	VER
EXECUTED	HYBRISUSER	SINGLE PH. MOTOR GENERAL		PREVIEW	WDD   00
CHECKED		FRAME W213/5T IP55 TEFC			
RELEASED					
REL. DATE	WMO	Jaragua do Sul	Product Engineering	SHEET	1 / 1

2 HP 06 Poles 60 Hz

A

