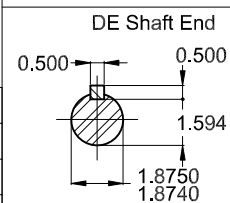
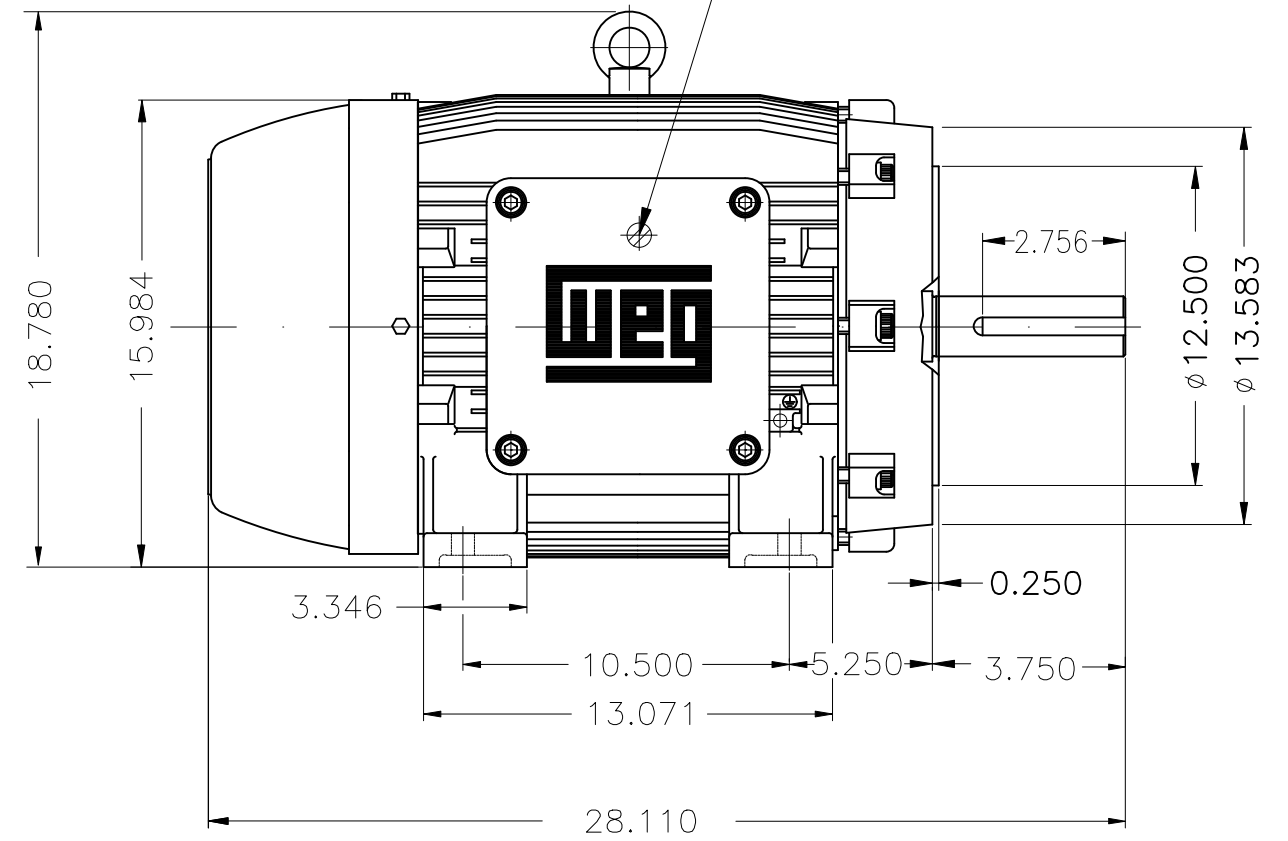


Grounding for leads 5.2-35 mm<sup>2</sup> / 10-2 AWG



Grease - POLYUREA ESTER OIL  
 Color RAL 5009  
 Painting plan 222P  
 Mounting B34R(D)

40 HP 02 Poles 60 Hz

Dimensions in inches

ECM		LOC	SUMMARY OF MODIFICATIONS				HYBRISUSER					00
EXECUTED	HYBRISUSER		THREE PH. MOTOR EXPLOSION PROOF	NEMA PREM. EFF.								
CHECKED			FRAME 324TSC IP55 TEFC									
RELEASED												
REL. DATE		WMO	Jaragua do Sul	Product Engineering								

PREVIEW

WDD 00

