

No reproduction of this drawing is allowed without written permission of WEG Motores

EIXO	
PADRÃO	
OPCIONAL	
ESPECIAL	X

Dimensões em polegadas
Dimensions in inches

CERTIFIED WEG MOTORES

Certified document.
Not subject to changes.

THIS IS AN UPDATED REVISION, THE PREVIOUS ONE MUST BE DISREGARDED.

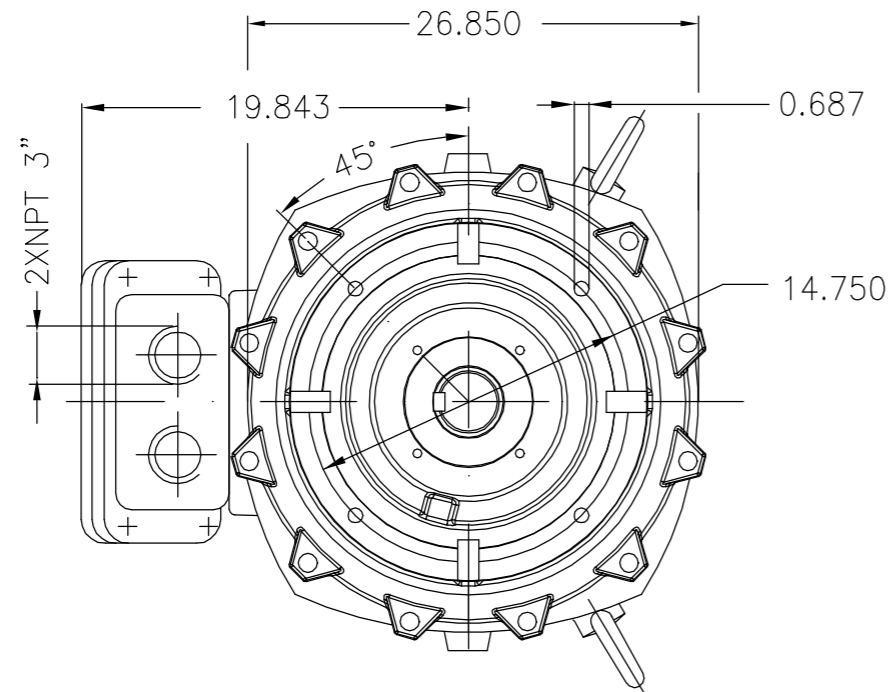
A

B

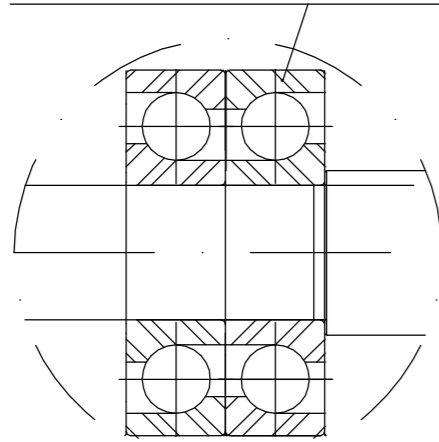
C

D

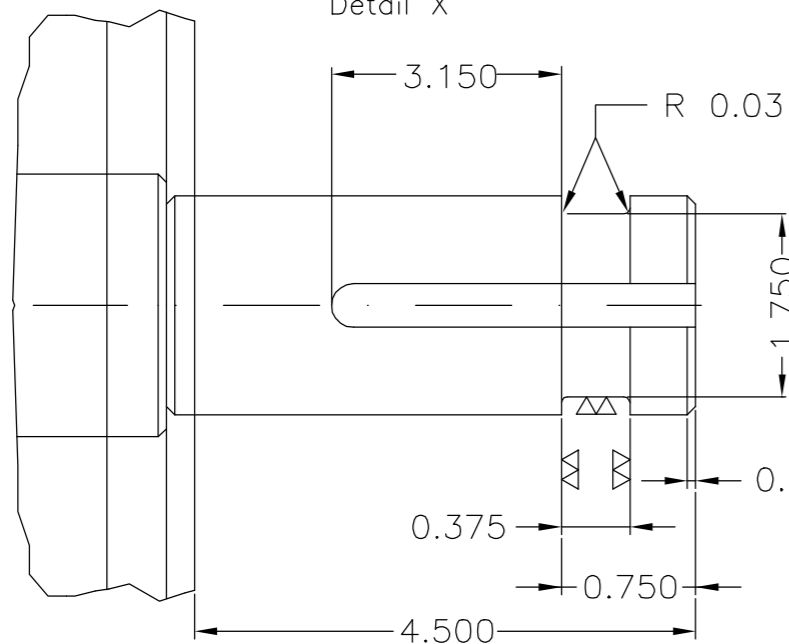
E



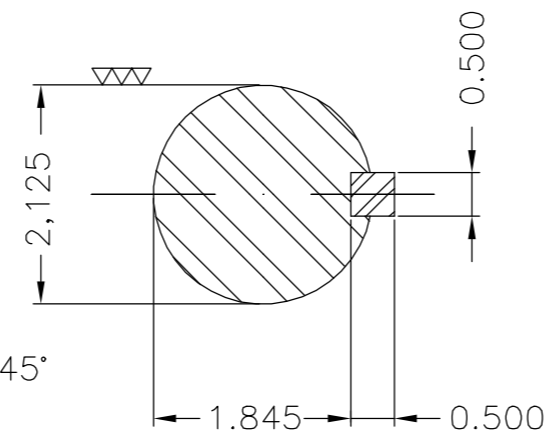
NDE BEARING 7311 BECB



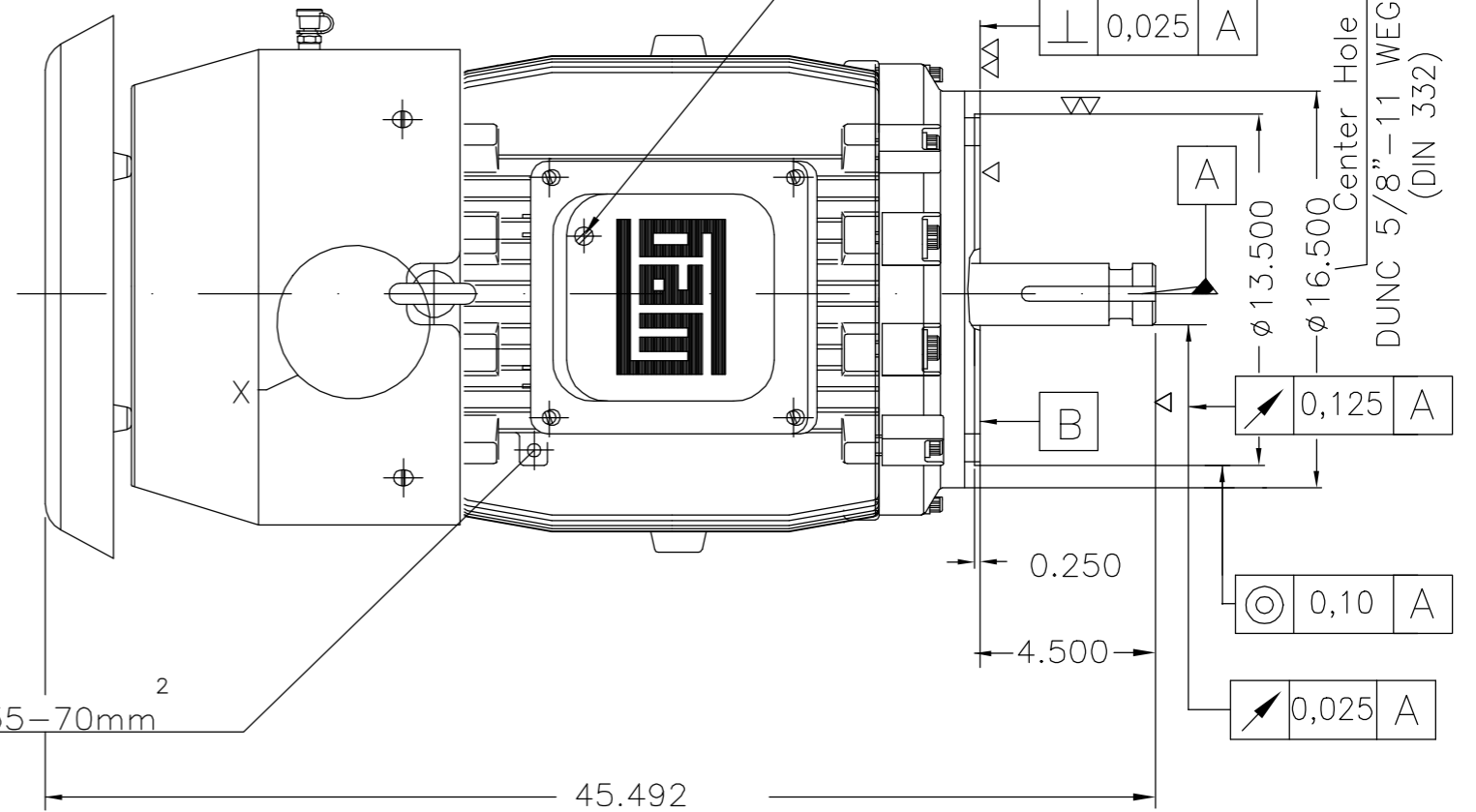
Detail X



Grounding for leads 35-70mm



Grounding for leads 35-70mm²



Carcaça especial / Special frame						
Rolamento traseiro de contato angular 7311BE / N.D.E. bearing 7311BE						
Placa de identificação deve constar NEMA PREMIUM / Nameplate shall state NEMA PREMIUM						
Vedação no mancal dianteiro - retentor com mola / D.E sealing - oil seal ring						
Ventilador de Alumínio / Aluminum fan						
Material do eixo - AISI/SAE 4140 / Shaft material - AISI/SAE 4140						
Vedação no mancal traseiro - retentor / NDE sealing - lip seal						
Saída dos cabos voltada para o lado do eixo / Cable outlet directed to shaft end						
Plano de pintura 203A / Painting plan 203A						
Forma construtiva V1 / Mounting V1						
V.J. PAMENSKY CANADA INC.						

500001594952		ALTERADO CONF. CLAIM 415204042	RICLAV	DALTONR	DALTONR	24.05.2019	03
500000653189		ALT. CONF. CLAIM 412578232	SCARMAGNANI	DVEGINI	DVEGINI	03.09.2012	02
ECM	LOC	SUMMARY OF MODIFICATIONS	EXECUTED	CHECKED	RELEASED	DATE	VER
EXECUTED	ADRIANAP	THREE-PHASE IN LINE EXTRA THRUST MOTOR					
CHECKED	DOUGLASRA	FRAME 447LP IP55					
RELEASED	DOUGLASRA						
REL DT	06.10.2011	WMO	JARAGUA DO SUL	ENGENHARIA DE PRODUTO			

250 HP 02 Poles 60Hz 412274540/0 MEC

10001464386
000 | 03

