

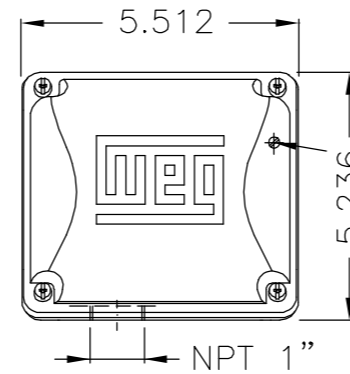
No reproduction of this drawing is allowed without written permission of WEG Motores

EIXO		Dimensões em polegadas
PADRÃO	X	
OPCIONAL		
ESPECIAL		
		Dimensions in inches

CERTIFIED WEG MOTORES

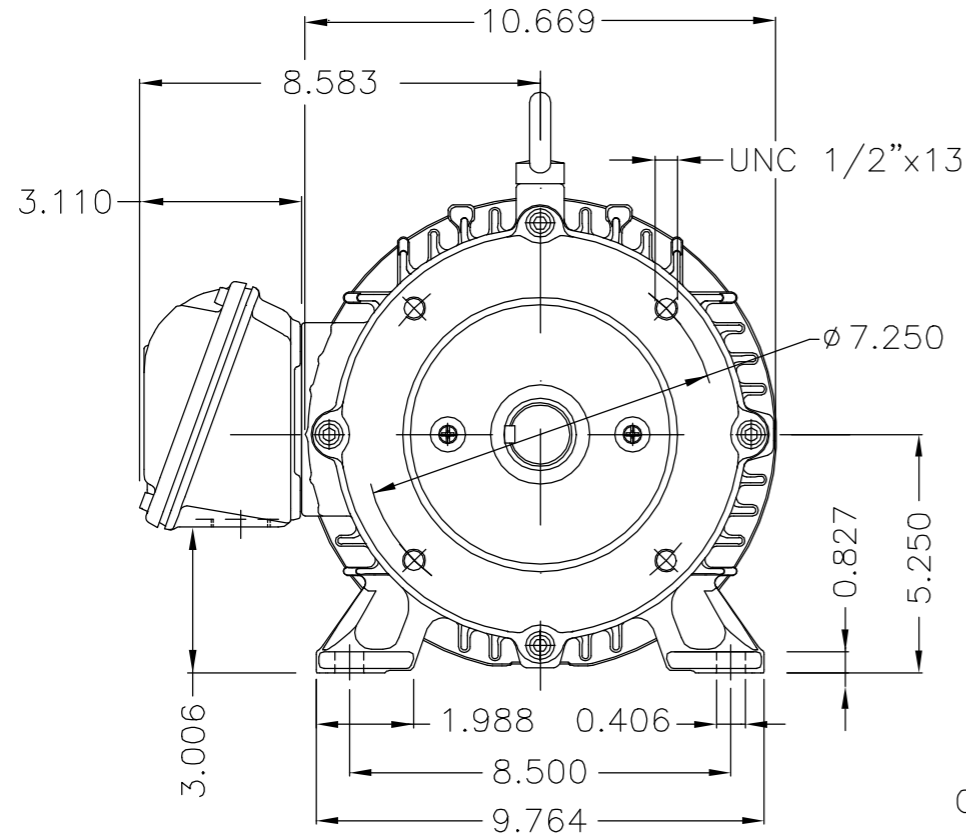
Certified document.
Not subject to changes.

THIS IS AN UPDATED REVISION, THE PREVIOUS ONE MUST BE DISREGARDED.

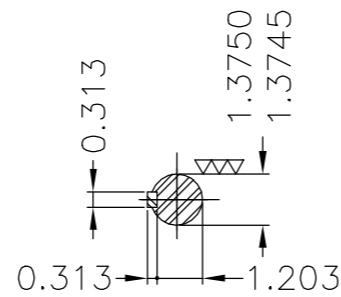


Main terminal box

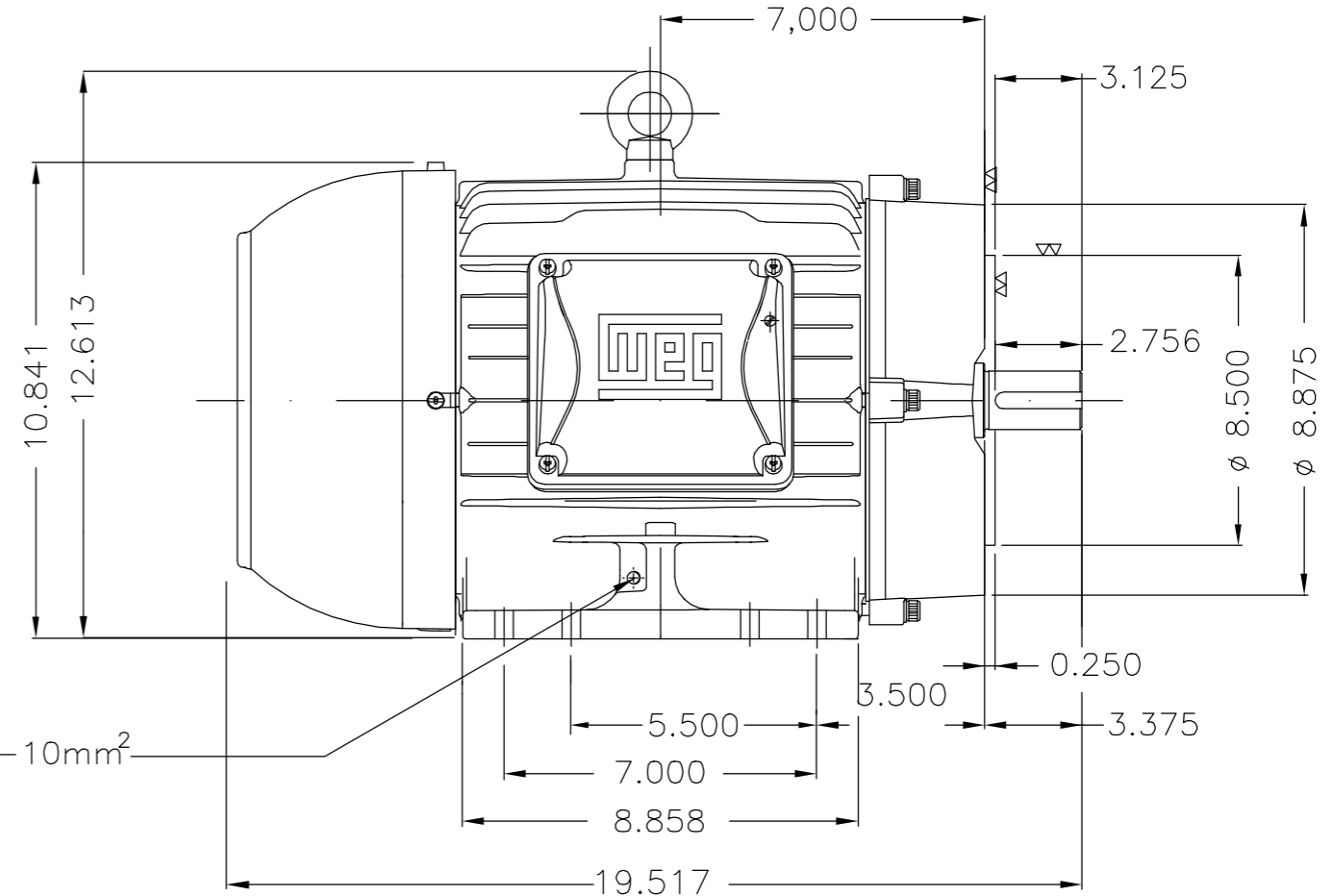
Grounding for leads 2-10mm²



Grounding for leads 2-10mm²



DE Shaft End



Placa adicional CSA para motor apto a operar com inversor de frequência torque constante 4:1 e torque variavel 10:1 Item da Placa 12208409 / CSA Additional nameplate for motor able to work with frequency inverter - constant torque 4:1 and variable torque 10:1- Plate Item 12208409

Plano de pintura 202E / Painting plan 202E

Forma construtiva B34D / Mounting B34R(D)

V.J. PAMENSKY CANADA INC.

500001722141		ALT. CONFORME CLAIM 415941767	FRANCINES	PKREYSSIG	PKREYSSIG	11.02.2020	04
500000714306		ALT. CONF. ECM 500000714306	PMAUERBERG	DALTONR	DALTONR	15.03.2013	03
ECM	LOC	SUMMARY OF MODIFICATIONS	EXECUTED	CHECKED	RELEASED	DATE	VER
EXECUTED	SCARMAGNANI	THREE PH. W22 NEMA P.EFF MOTOR IEEEE841 FRAME 213/5TC IP55	10001883299				
CHECKED	DVEGINI		000	04			
RELEASED	DVEGINI						
REL DT	27.08.2012	WMO	JARAGUA DO SUL	ENGENHARIA DE PRODUTO	SHEET	1 / 1	

10 HP 02 Poles 60Hz 412572642/0