

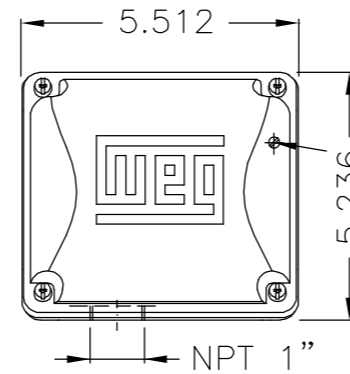
No reproduction of this drawing is allowed without written permission of WEG Motores

EIXO		Dimensões em polegadas
PADRÃO	X	
OPCIONAL		
ESPECIAL		
		Dimensions in inches

CERTIFIED WEG MOTORES

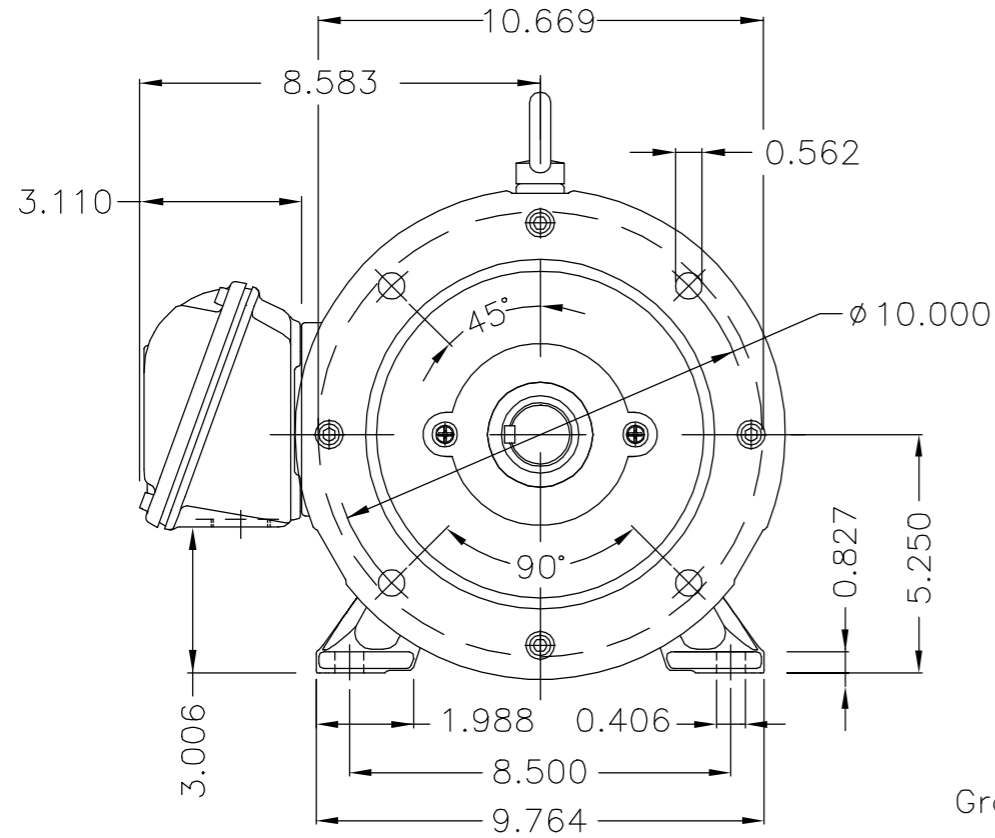
Certified document.
Not subject to changes.

THIS IS AN UPDATED REVISION, THE PREVIOUS ONE MUST BE DISREGARDED.

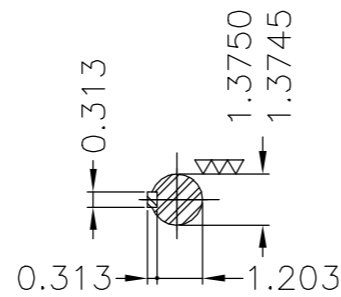


Main terminal box

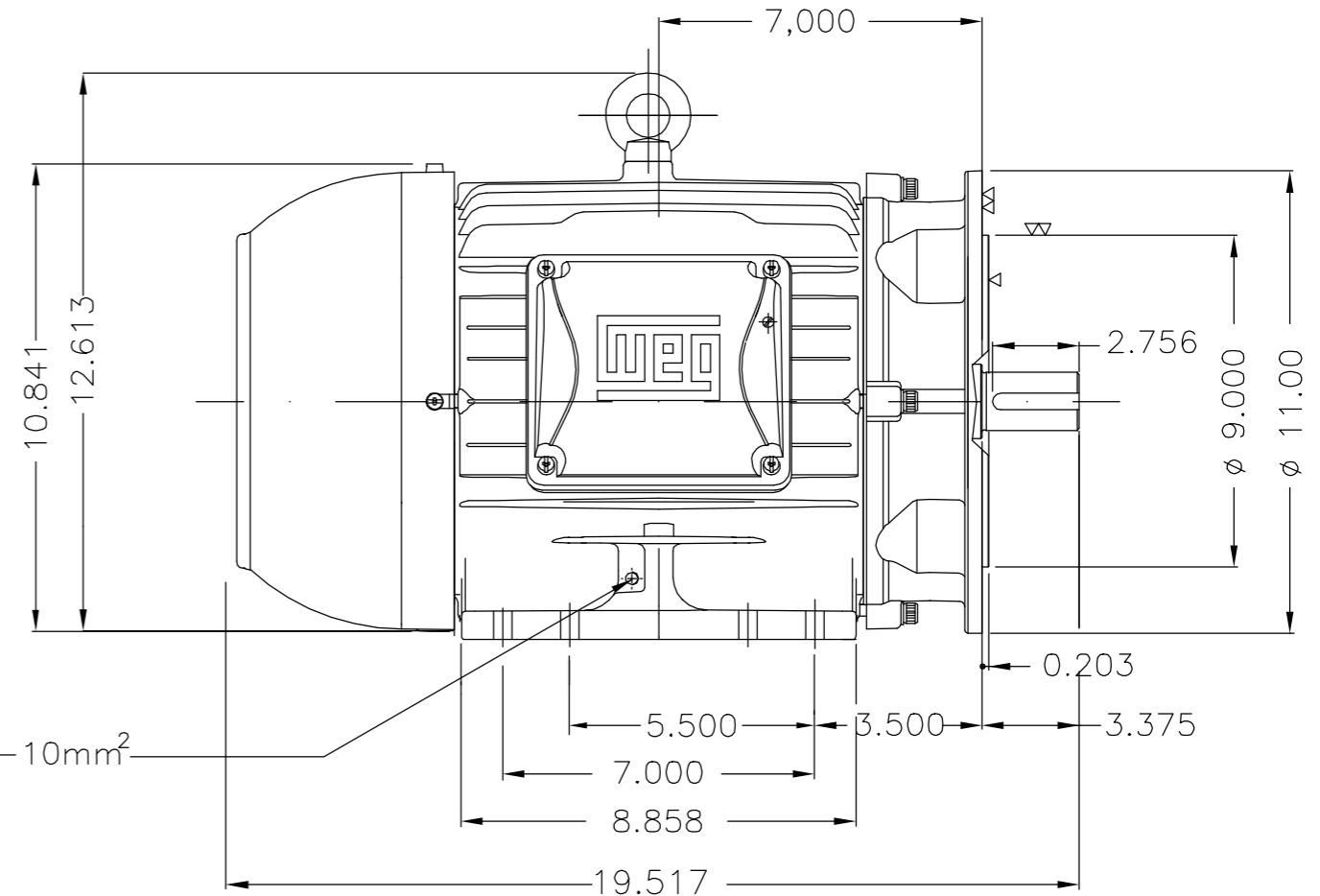
Grounding for leads 2-10mm²



Grounding for leads 2-10mm²



DE Shaft End



Placa adicional CSA para motor apto a operar com inversor de frequência torque constante 10:1 Item da Placa 11310711 / CSA Additional nameplate for motor able to work with frequency inverter - constant torque 10:1 Plate Item 11310711

Plano de pintura 202E / Painting plan 202E

Forma construtiva B35D / Mounting B35R(D)

V.J. PAMENSKY CANADA INC.

500001431512		ALTERADO CONFORME CLAIM 414997050	PKREYSSIG	FRANCINES	FRANCINES	21.03.2018	03
500000714306		ALT. CONF. ECM 500000714306	PMAUERBERG	DALTONR	DALTONR	15.03.2013	02
ECM	LOC	SUMMARY OF MODIFICATIONS	EXECUTED	CHECKED	RELEASED	DATE	VER
EXECUTED	SCARMAGNANI	THREE PH. W22 NEMA P.EFF MOTOR IEEEE841 FRAME 213/5TD IP55	10001827517				
CHECKED			000	03			
RELEASED	MAIKONP						
REL DT	16.07.2012	WMO	JARAGUA DO SUL	ENGENHARIA DE PRODUTO	SHEET	1 / 1	

10 HP 02 Poles 60Hz 412534752/0