

1 2 3 4 5 6

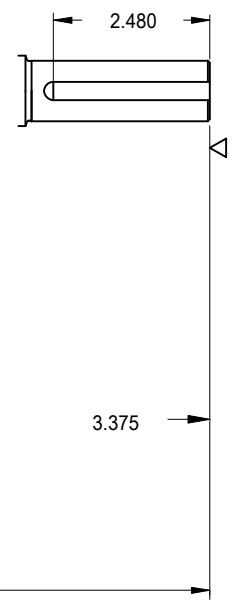
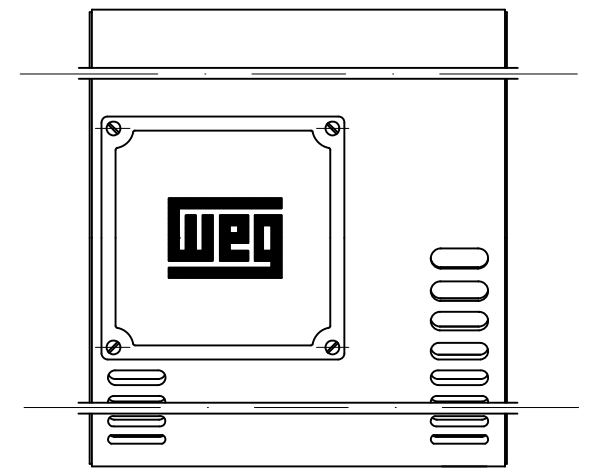
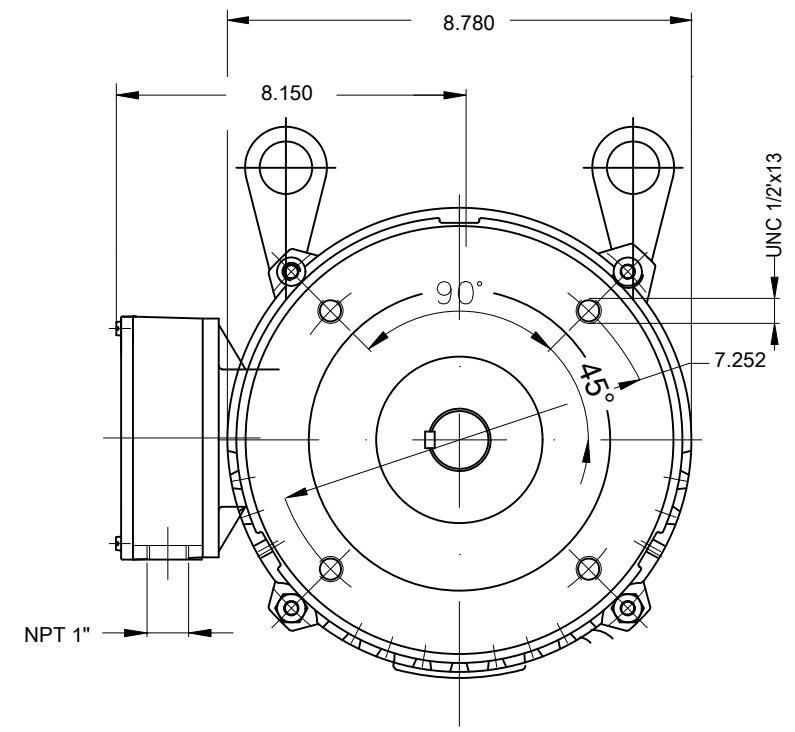
A

B

C

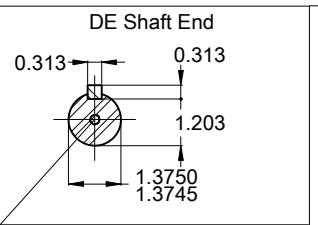
D

E



10 HP 02 Poles 60 Hz A

- Packing - crate
- Plastic flat plug
- With drip cover
- Color RAL 5009
- Painting plan 207A
- Mounting B14R(D)



ECM		LOC	SUMMARY OF MODIFICATIONS			HYBRISUSER					00
EXECUTED	HYBRISUSER		THREE PH. MOTOR GENERAL HIGH EFF.			EXECUTED	CHECKED	RELEASED	DATE	VER	
CHECKED			FRAME 213/5TC IP21 ODP								
RELEASED											
REL. DATE		WMO	Jaragua do Sul	Product Engineering							

**PREVIEW**  
WDD 00  
SHEET 1 / 1