

1

2

3

4

5

6

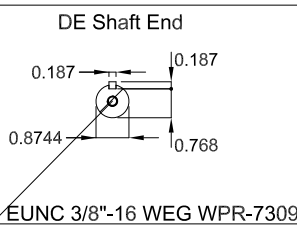
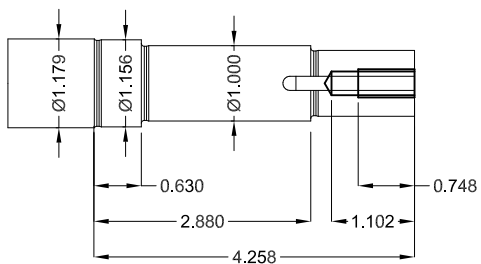
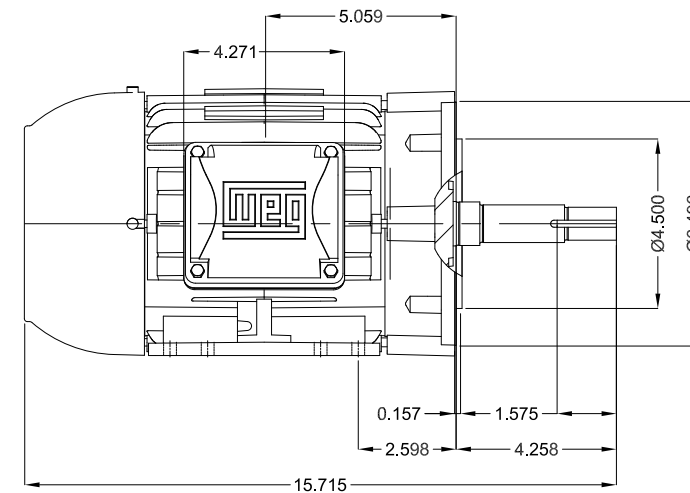
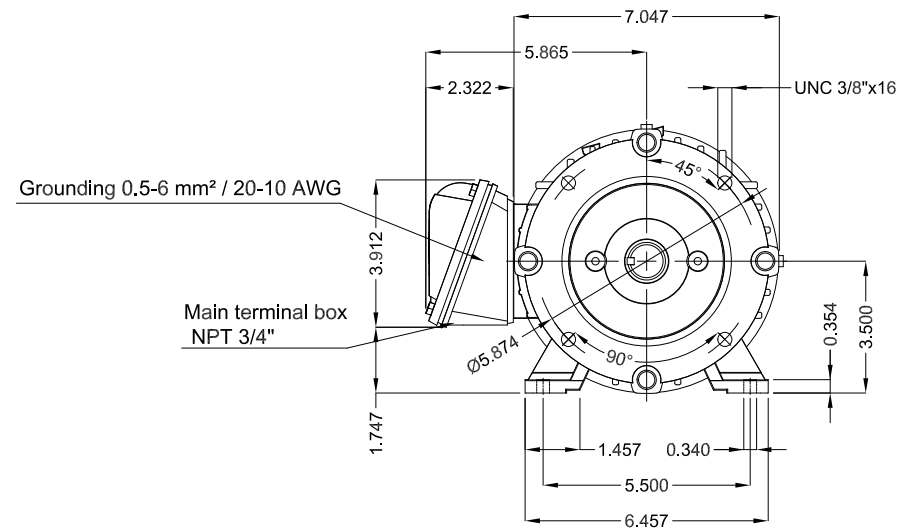
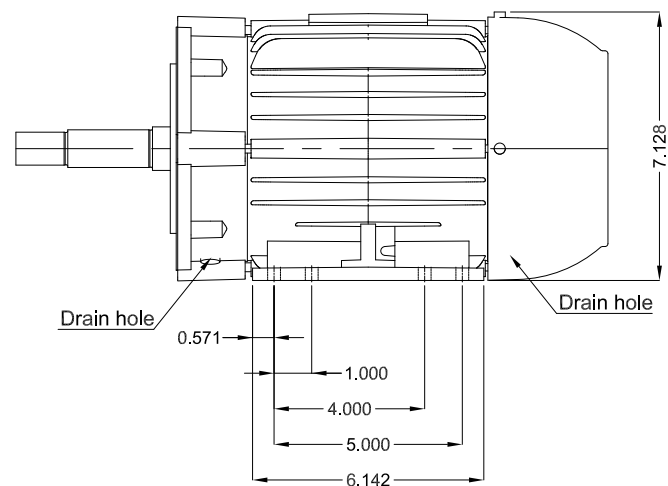
A

B

C

D

E



Color RAL 5009
 Painting plan 207A
 Mounting B34R(D)

1.5 HP 04 Poles 60 Hz A

ECM	LOC	SUMMARY OF MODIFICATIONS	EXECUTED	CHECKED	RELEASED	DATE	VER
EXECUTED	HYBRISUSER	THREE PH. MOTOR JM/JP/JET PUMP W22 NEMA PREM. EFF.					
CHECKED		FRAME 143/5JM IP55 TEFC					
RELEASED							
REL. DATE							

HYBRISUSER 00
PREVIEW
 WDD 00
 SHEET /

