

1 2 3 4 5 6

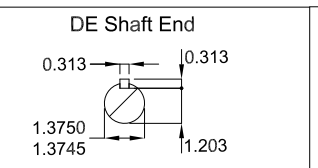
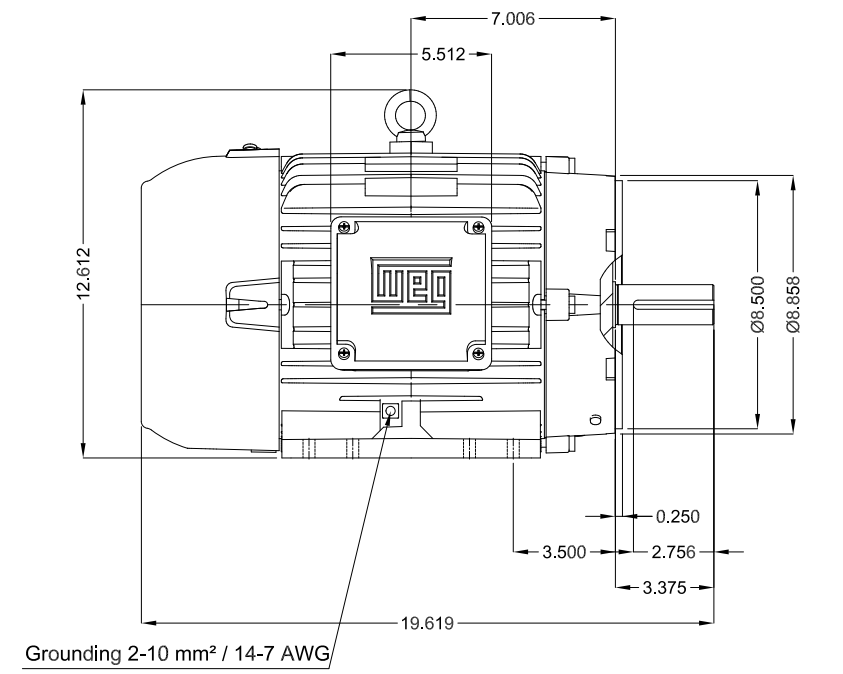
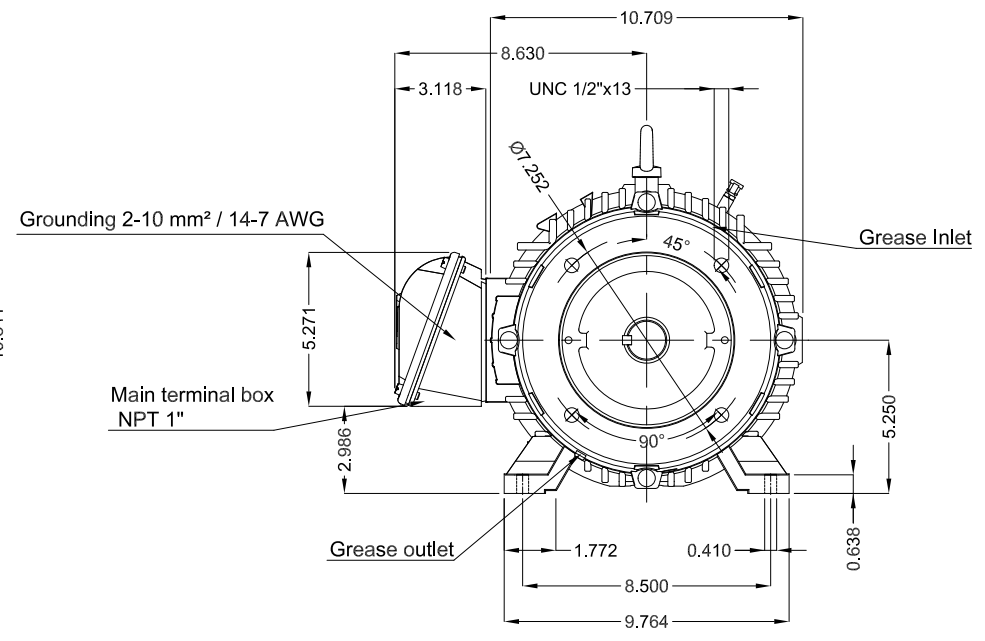
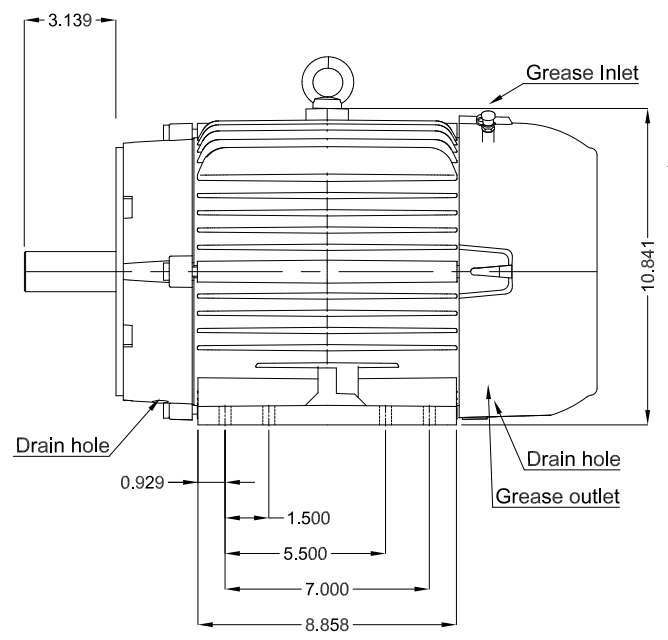
A

B

C

D

E



- Sealing - Taconite labyrinth
- Grease outlet according to IEEE841
- Color RAL 5009
- Painting plan 202E
- Mounting B34R(D)

10 HP 04 Poles 60 Hz										A				
ECM	LOC	SUMMARY OF MODIFICATIONS					HYBRISUSER				00			
EXECUTED	HYBRISUSER	THREE PH. MOTOR IEEE 841 W22 NEMA PREM. EFF. FRAME 213/5TC IP55 TEFC					EXECUTED	CHECKED	RELEASED	DATE	VER			
CHECKED														
RELEASED														
REL. DATE														
						PREVIEW	WDD 00		SHEET /					

