

No reproduction of this drawing is allowed without written permission of WEG Motores

EIXO	
PADRÃO	X
OPCIONAL	
ESPECIAL	

**CERTIFIED WEG MOTORES**

Certified document.  
Not subject to changes.

THIS IS AN UPDATED REVISION, THE PREVIOUS ONE MUST BE DISREGARDED.

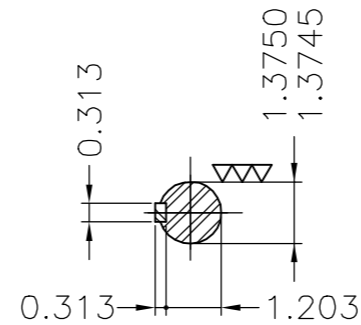
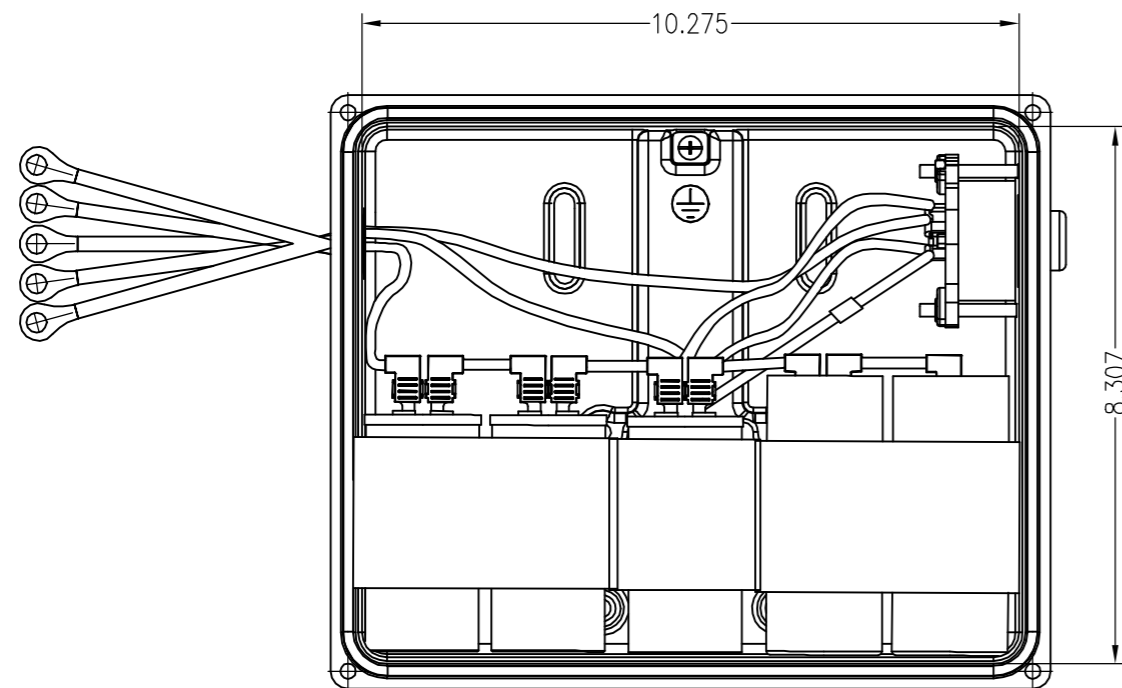
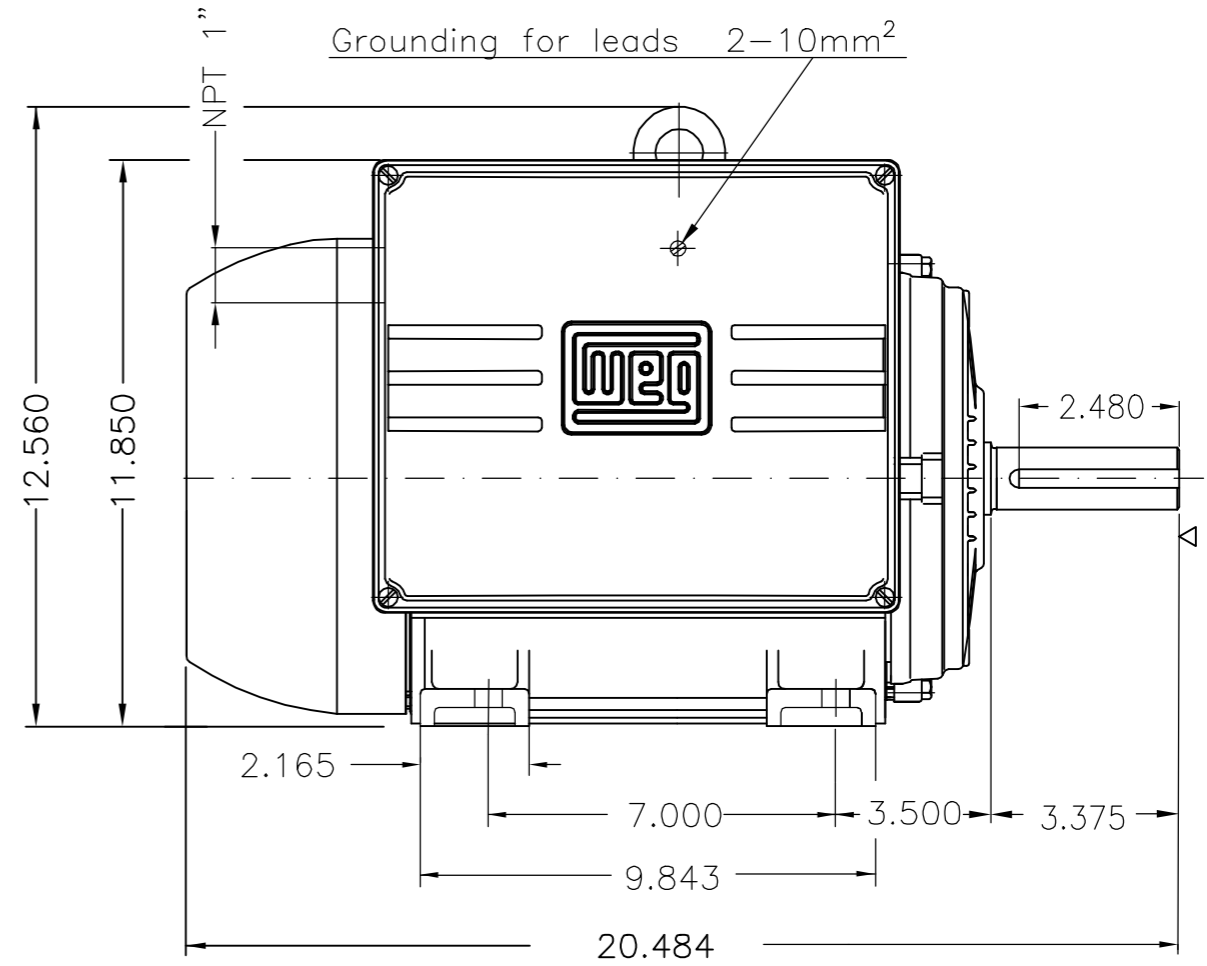
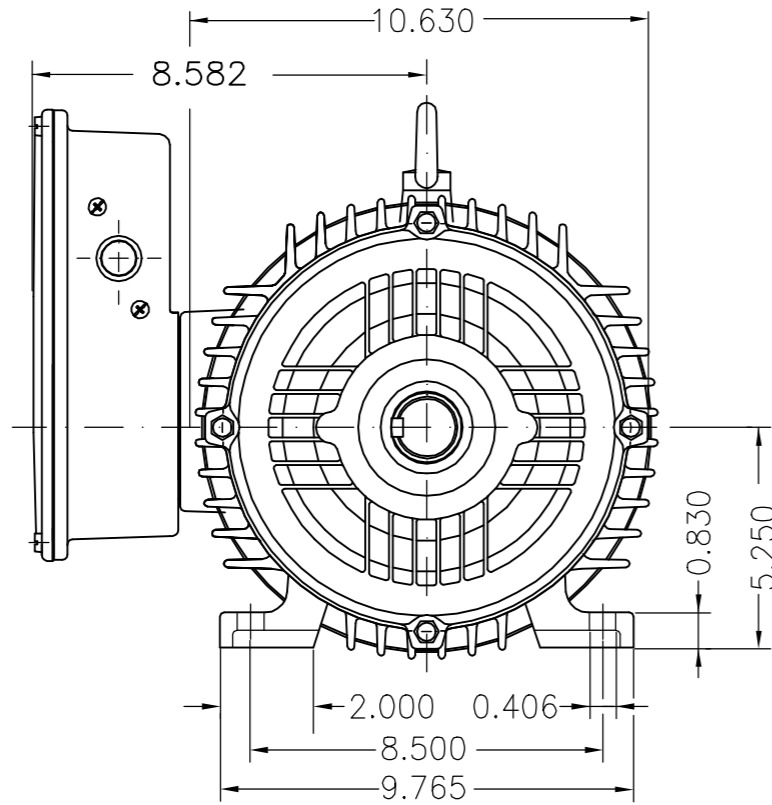
A

B

C

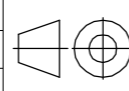

D

E



Carcaça especial / Special frame  
 Protetor Térmico Manual / Manual Overload Protector  
 Forma construtiva B3D / Mounting B3R(D)

**V.J. PAMENSKY CANADA INC.**

500000622792	ATUAL. ESQUEMA DE LIGAÇÃO	DEISEM	RUBENSM	13.06.2012	03			
500000549404	ALT. CONF. 412305058	DEISEM	EMERSONRH	18.11.2011	02			
MODIF. NUMBER	LOC	SUMMARY OF MODIFICATIONS		EXECUTED	CHECKED	RELEASED	DATE	VER
EXECUTED	PETTINE	 SINGLE PHASE MOTOR FRAME 215T IP55 (TEFC) GERAL	10001499168					
CHECKED			000	03				
RELEASED	EMERSONRH							
REL. DATE	03.11.2011	WMO	JARAGUA DO SUL	ENGENHARIA DE PRODUTO	FOL/SHEET	1 / 1		

12.5 HP 04 Poles 60Hz 412302847

A