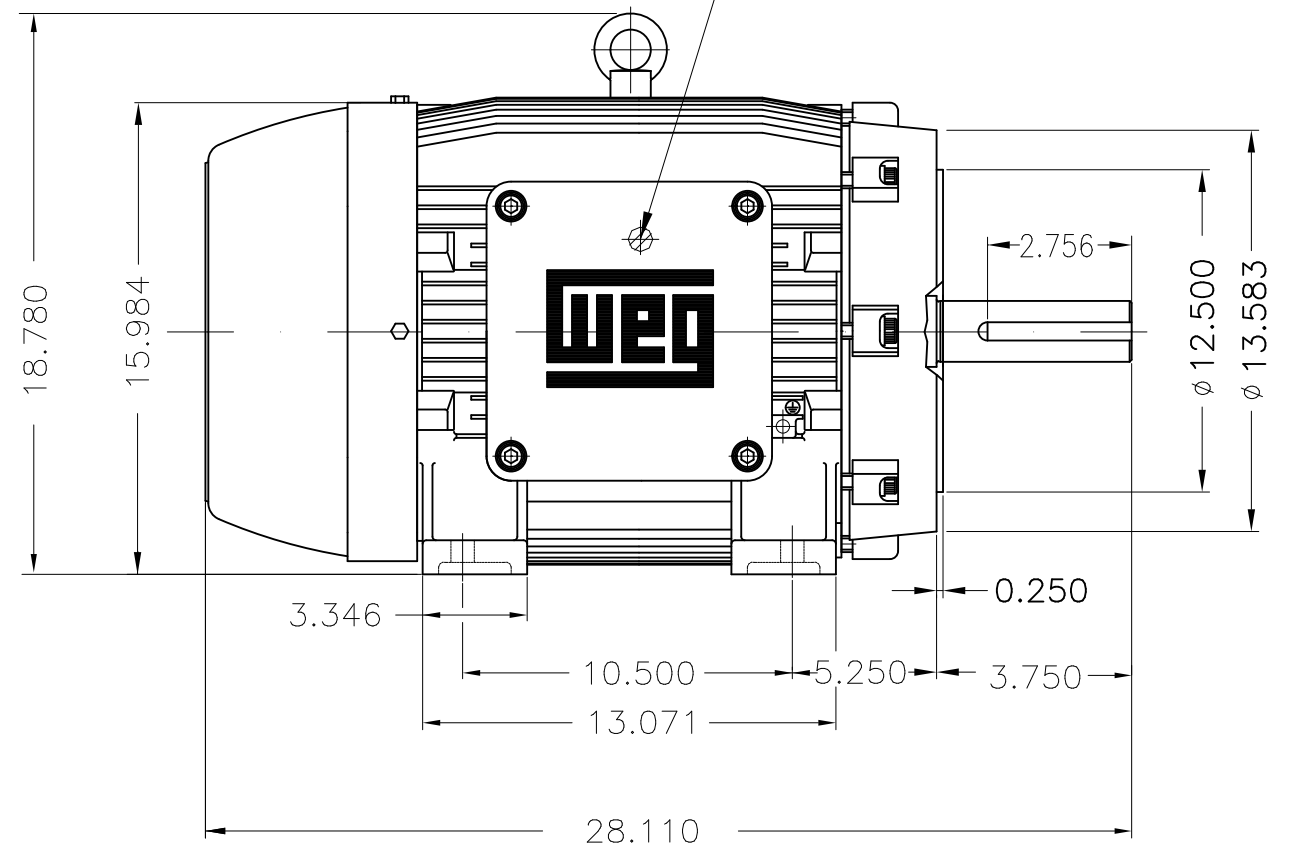


Grounding for leads 5.2-35 mm² / 10-2 AWG

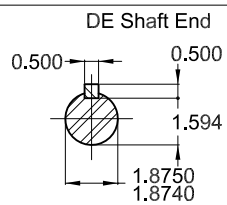


C

D

E

Grease - POLYUREA ESTER OIL
 Color RAL 5009
 Painting plan 222P
 Mounting B34R(D)



40 HP 02 Poles 60 Hz A

ECM	LOC	SUMMARY OF MODIFICATIONS	EXECUTED	CHECKED	RELEASED	DATE	VER
EXECUTED	HYBRISUSER	THREE PH. MOTOR EXPLOSION PROOF NEMA PREM. EFF.					
CHECKED		FRAME 324TSC IP55 TEFC					
RELEASED							
REL. DATE		WMO Jaragua do Sul					

HYBRISUSER 00

PREVIEW
 WDD 00
 SHEET 1 / 1

