

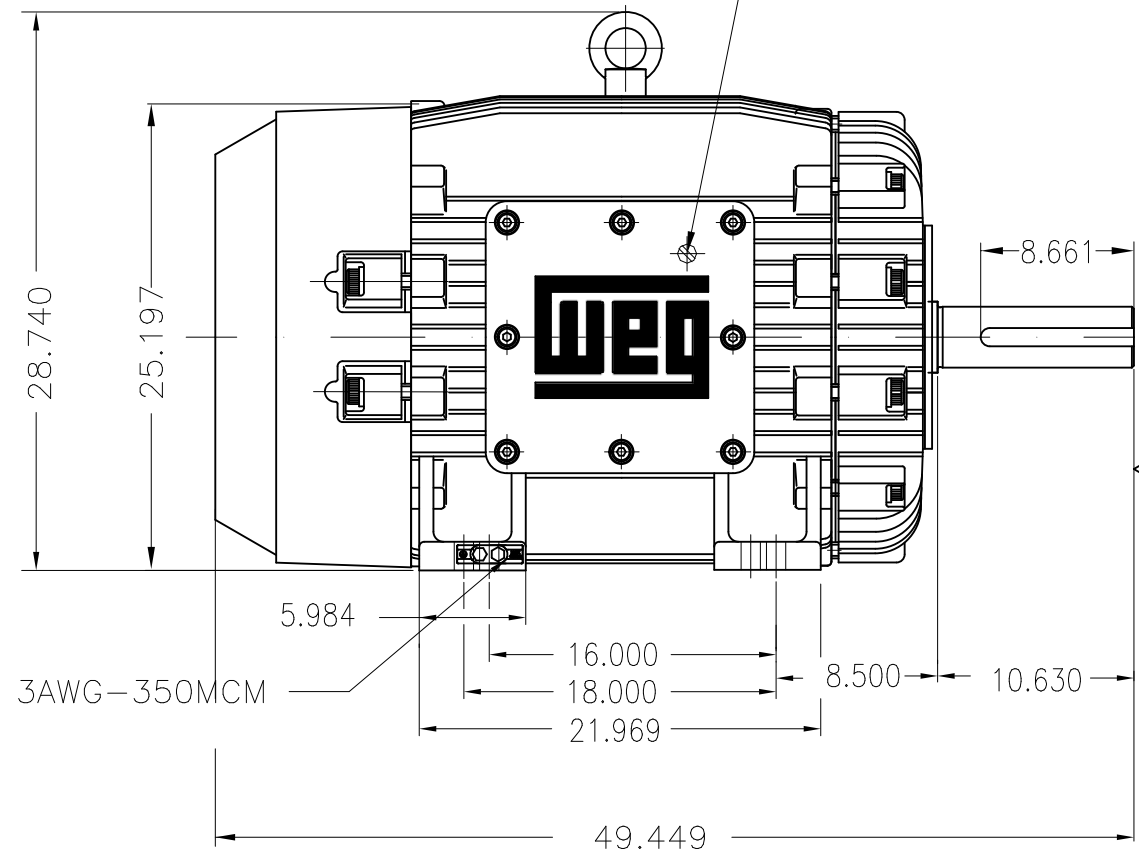
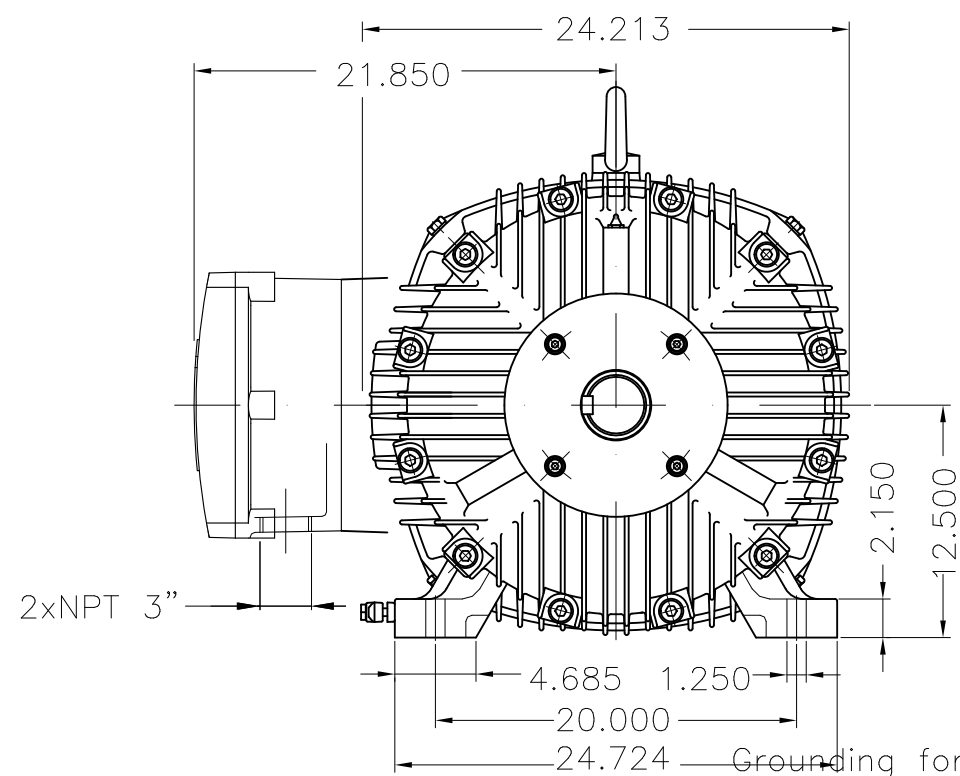
1 2 3 4 5 6

A

B

C

Grounding for leads 35-70 mm² / 1-2/0 AWG

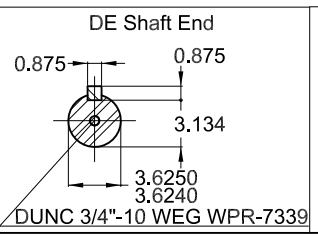


D

E

200 HP 04 Poles 60 Hz A

- DE roller bearing
- Shaft locking device
- Color RAL 5009
- Painting plan 222P
- Mounting B3R(D)



ECM		LOC	SUMMARY OF MODIFICATIONS			HYBRISUSER					00
EXECUTED			THREE PH. MOTOR EXPLOSION PROOF NEMA PREM. EFF.	EXECUTED	CHECKED	RELEASED	DATE	VER	PREVIEW		
CHECKED			FRAME 504/5T IP55 TEFC						WDD 00		
RELEASED									SHEET 1 / 1		
REL. DATE			WMO Jaragua do Sul	Product Engineering							