

1 2 3 4 5 6

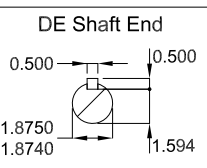
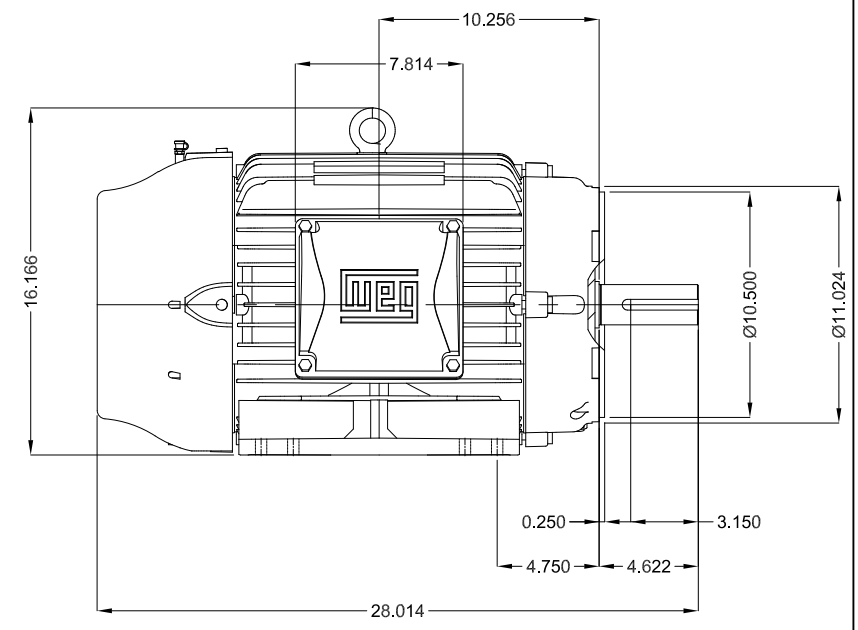
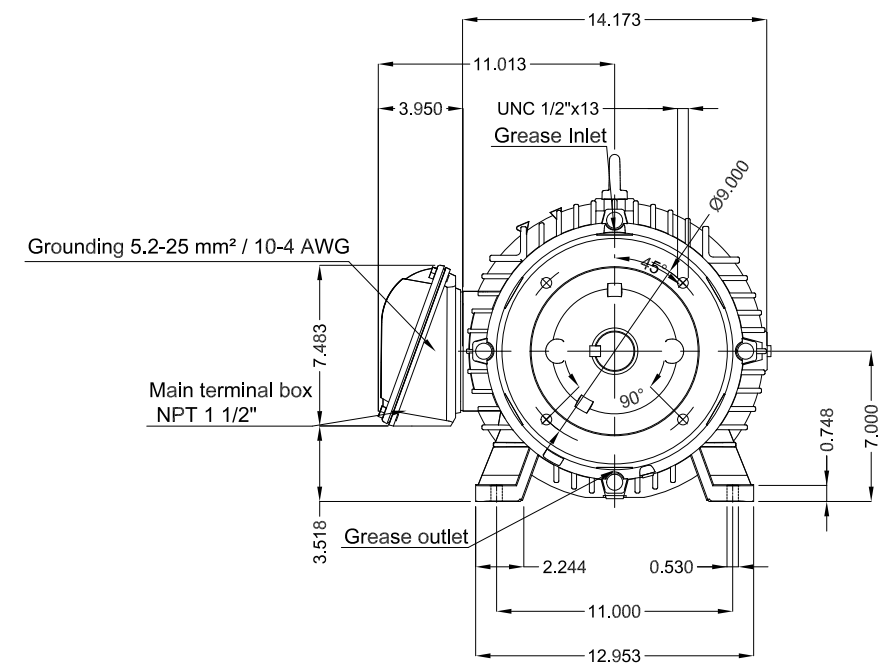
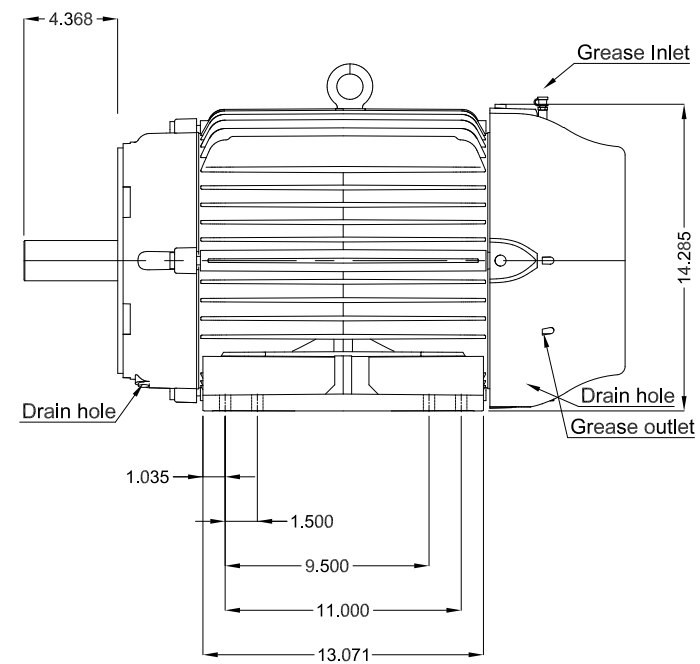
A

B

C

D

E



Without vertical jackscrews
 Color RAL 5009
 Painting plan 203A
 Mounting B34R(D)

30 HP 04 Poles 60 Hz A

				HYBRISUSER						00	
ECM	LOC	SUMMARY OF MODIFICATIONS				EXECUTED	CHECKED	RELEASED	DATE	VER	
EXECUTED	HYBRISUSER	THREE PH. MOTOR W22 NEMA PREM. EFF.									
CHECKED		FRAME 284/6TC IP55 TEFC									
RELEASED											
REL. DATE											
						PREVIEW				WEG	
						WDD 00				SHEET /	

Dimensions in inches

A3