

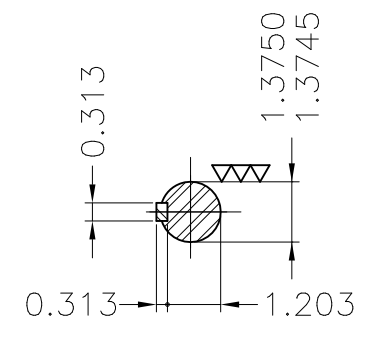
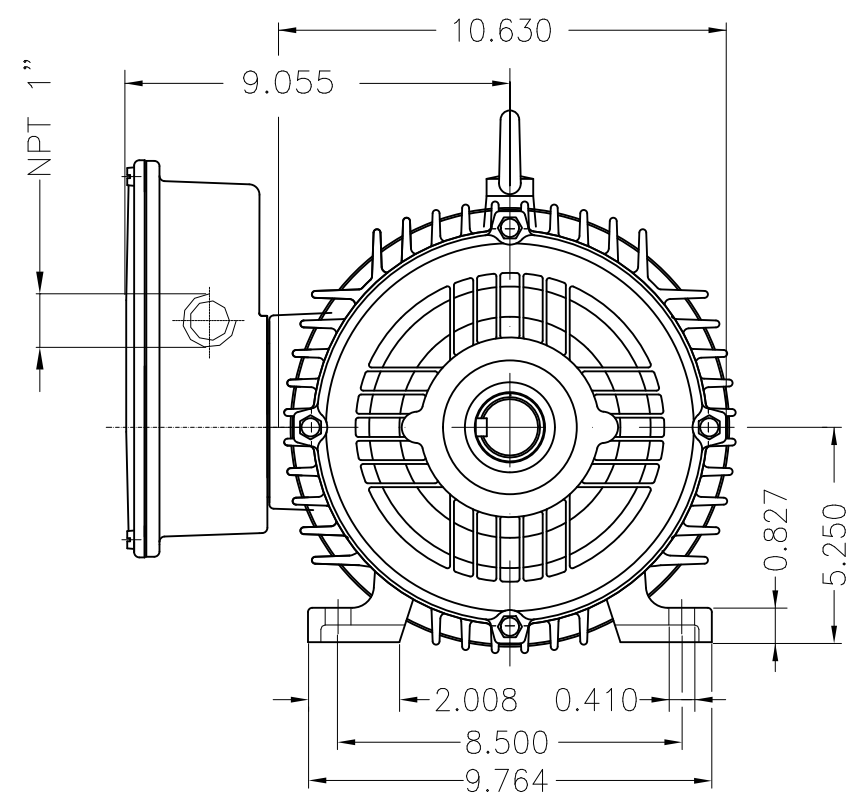
A

B

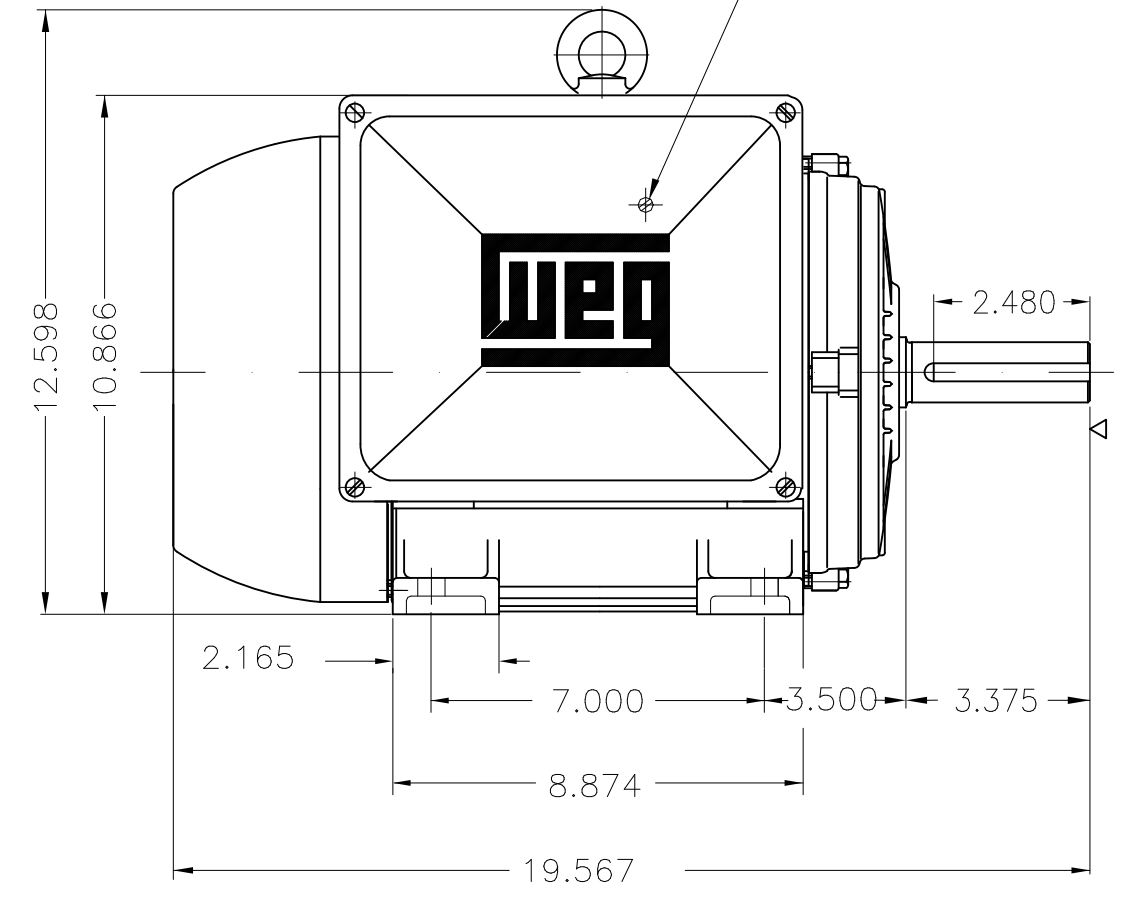
C

D

E



Grounding for leads 2-10 mm<sup>2</sup> / 14-7 AWG



Mounting B3R(D)										
ECM	LOC	SUMMARY OF MODIFICATIONS				EXECUTED	CHECKED	RELEASED	DATE	VER
EXECUTED	USERADMIN	SINGLE PH. MOTOR FARM DUTY								00
CHECKED		FRAME 215T IP55 TEFC								
RELEASED										
REL. DATE		WMO	Jaragua do Sul	Product Engineering						

10 HP 04 Poles 60 Hz

A

PREVIEW  
WDD 00

