

1

2

3

4

5

6

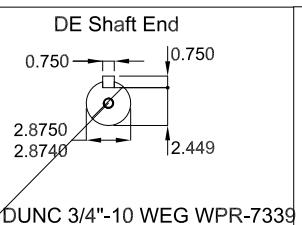
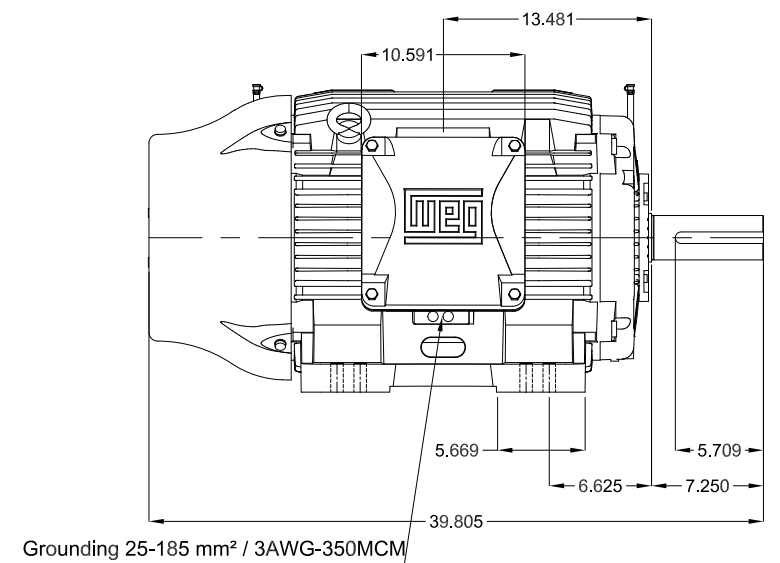
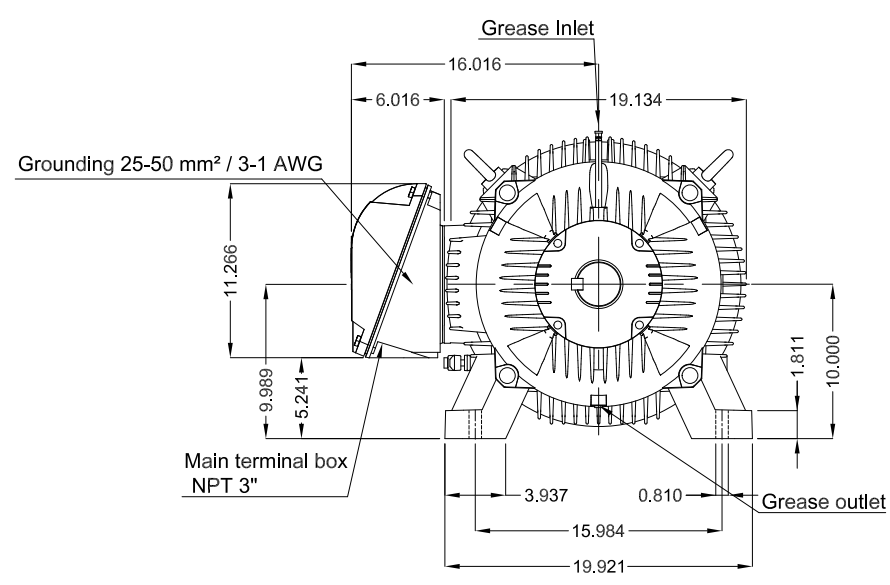
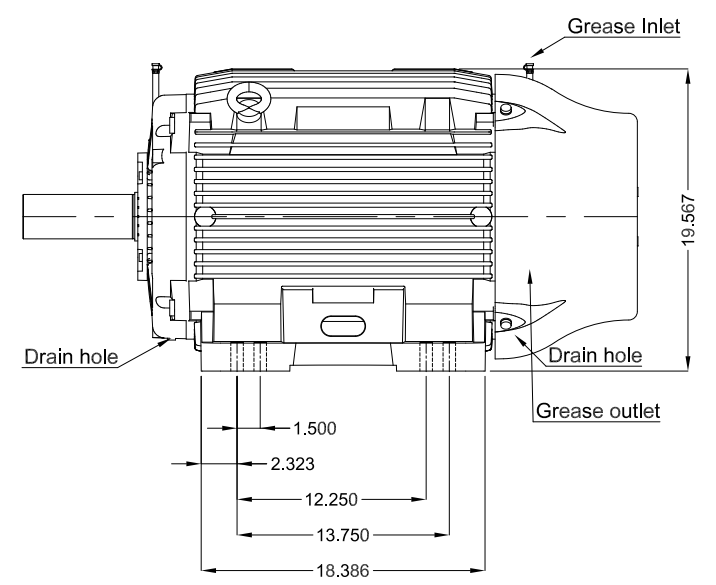
A

B

C

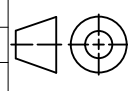
D

E



Grease outlet according to IEEE841
 Color RAL 5009
 Painting plan 222E
 Mounting B3R(D)

75 HP 06 Poles 60 Hz A

		HYBRISUSER			00		
ECM	LOC	SUMMARY OF MODIFICATIONS					
EXECUTED	HYBRISUSER	 THREE PH. MOTOR IEEE 841 W22 NEMA PREM. EFF. FRAME 404/5T IP56 TEFC	EXECUTED	CHECKED	RELEASED	DATE	VER
CHECKED							
RELEASED							
REL. DATE							
			PREVIEW				
			WDD	00			
			SHEET	/			

