

1 2 3 4 5 6

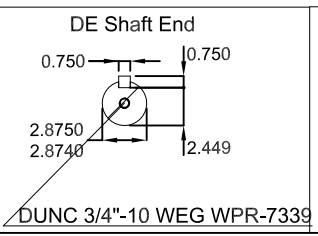
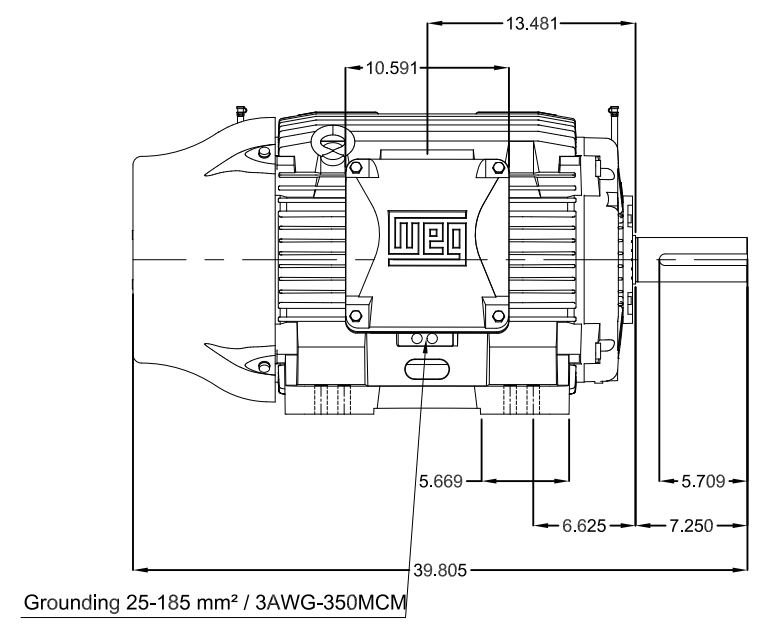
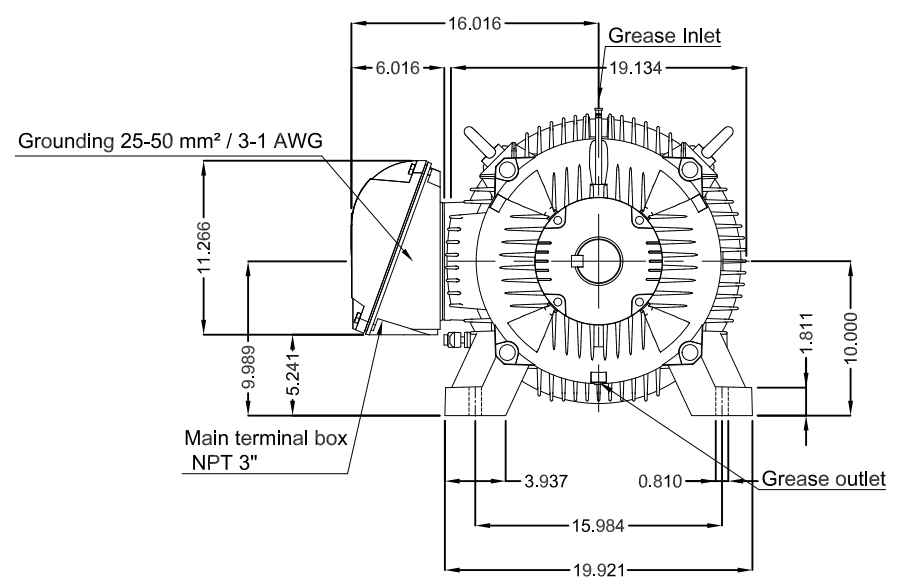
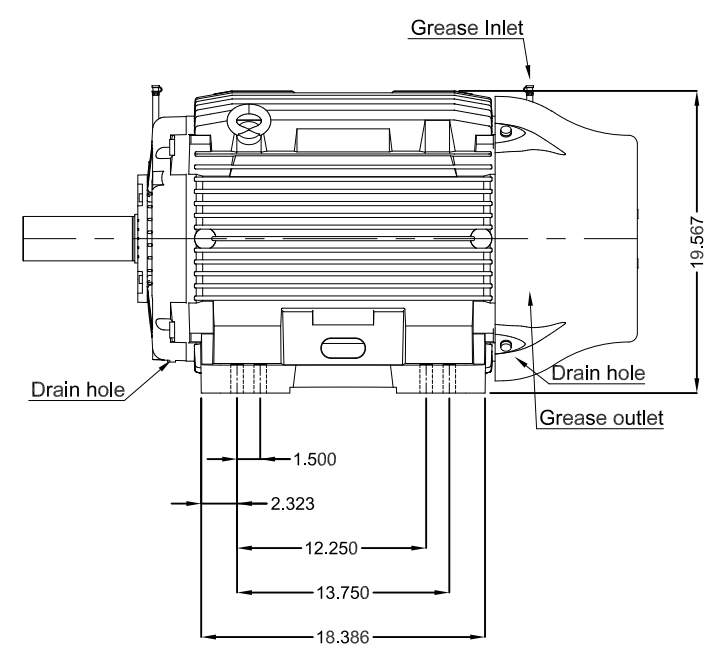
A

B

C

D

E



Without vertical jackscrews  
 Grease outlet according to IEEE841  
 Color RAL 5009  
 Painting plan 222E  
 Mounting B3R(D)

60 HP 06 Poles 60 Hz										A		
ECM	LOC	SUMMARY OF MODIFICATIONS					HYBRISUSER	EXECUTED	CHECKED	RELEASED	DATE	VER
EXECUTED	HYBRISUSER	THREE PH. MOTOR IEEE 841 W22 NEMA PREM. EFF. FRAME 404/5T IP56 TEFC					EXECUTED					00
CHECKED												
RELEASED												
REL. DATE												
						PREVIEW		WDD 00		SHEET /		
						WEG						