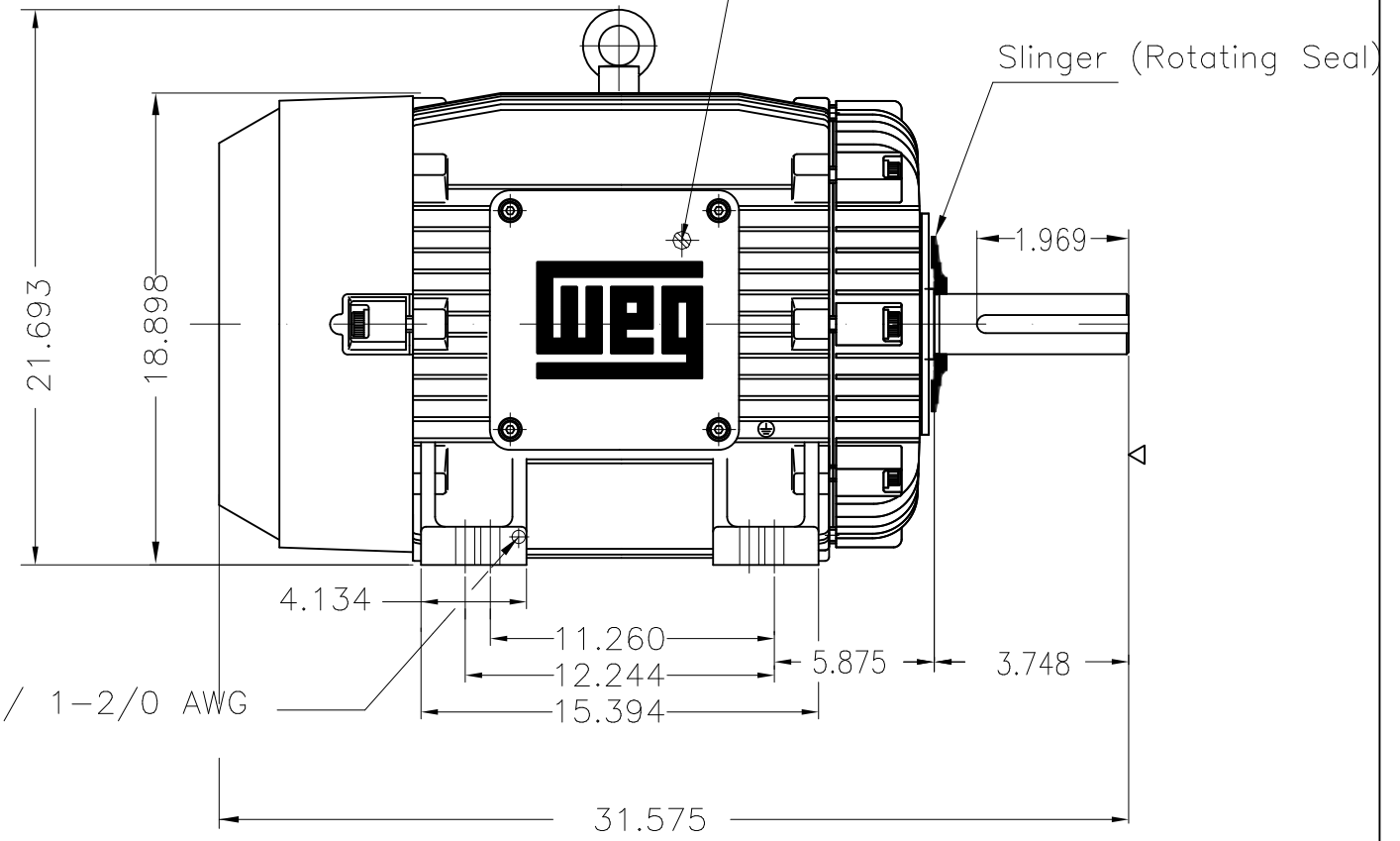
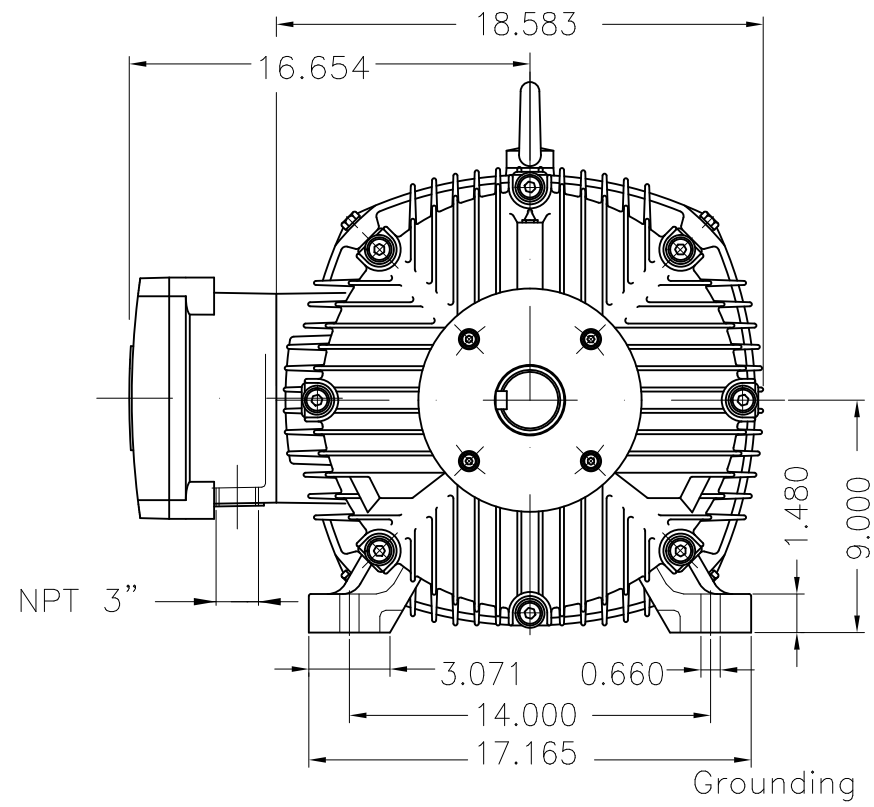


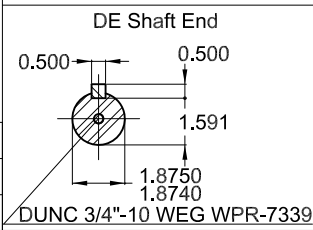
Grounding for leads 25–50 mm² / 3–1 AWG



60 HP 02 Poles 60 Hz

Dimensions in inches

Color RAL 5009
 Painting plan 222P
 Mounting B3R(D)



ECM		LOC	SUMMARY OF MODIFICATIONS		HYBRISUSER	00
EXECUTED	HYBRISUSER		THREE PH. MOTOR EXPLOSION PROOF NEMA PREM. EFF.	EXECUTED	CHECKED	RELEASED
CHECKED			FRAME 364/5TS IP55 TEFC			
RELEASED						
REL. DATE		WMO	Jaragua do Sul	Product Engineering		

PREVIEW

WDD 00



SHEET 1 / 1