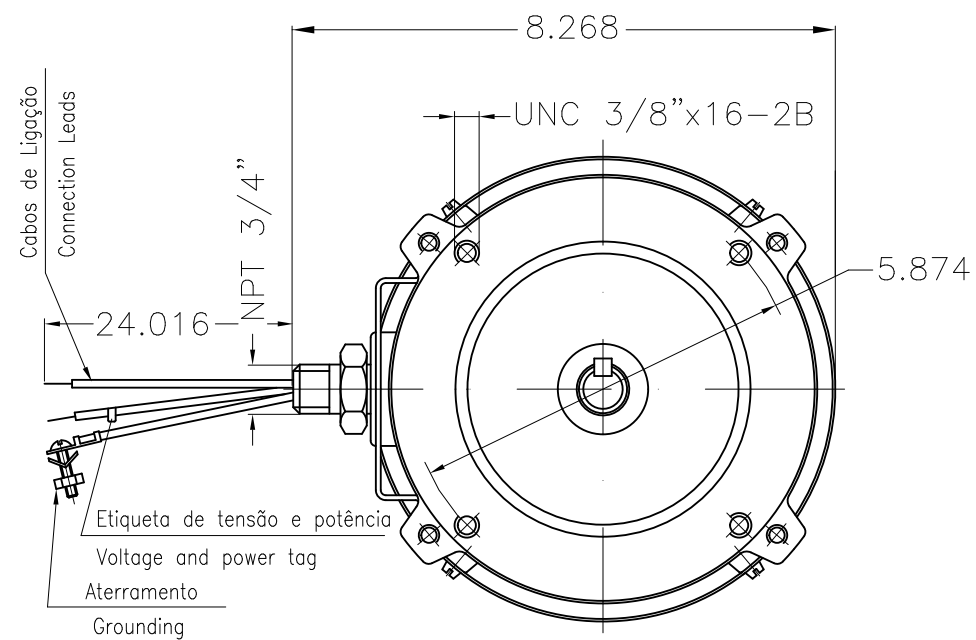


1 2 3 4 5 6

A

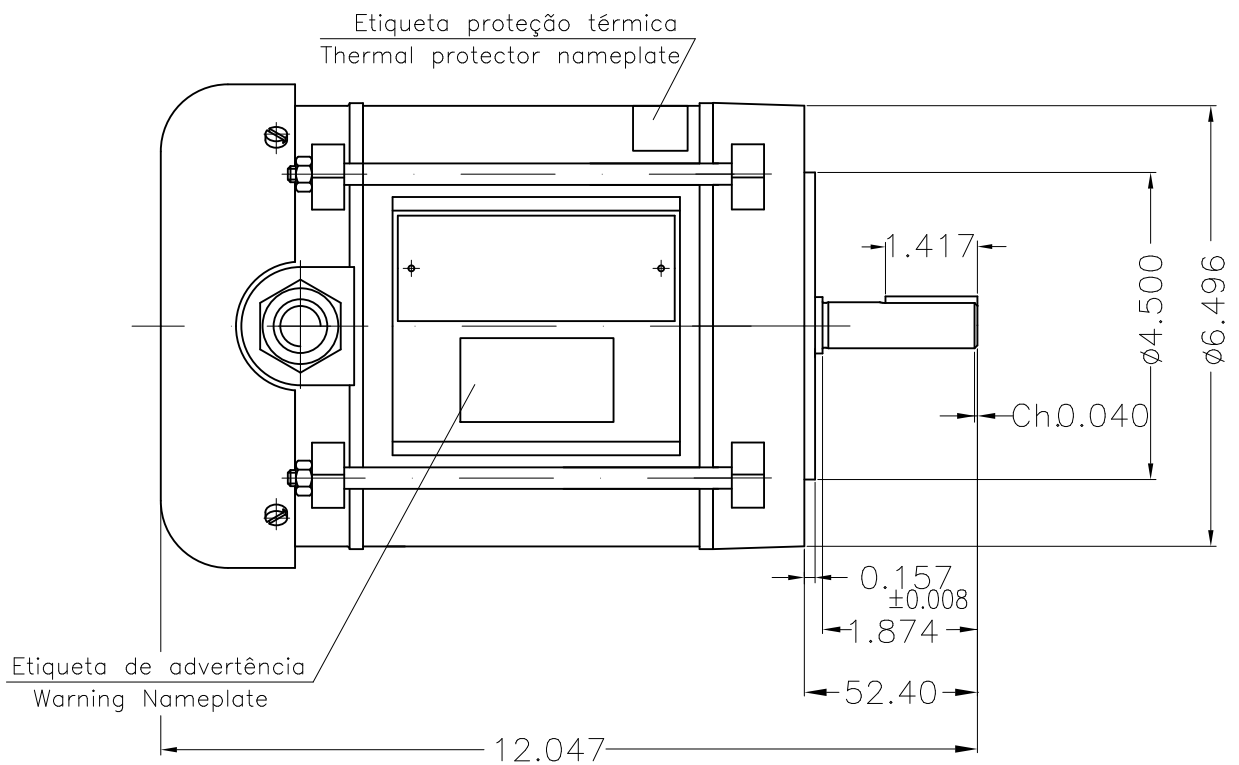
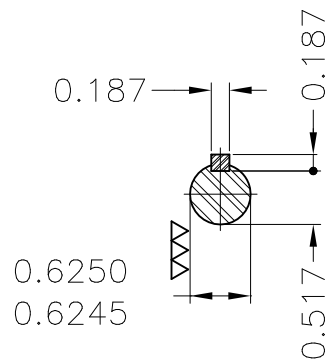


B

C

D

E



Mounting B14R(D)										
							HYBRISUSER	00		
ECM	LOC	SUMMARY OF MODIFICATIONS				EXECUTED	CHECKED	RELEASED	DATE	VER
EXECUTED	HYBRISUSER	SINGLE PH. MOTOR EXPLOSION PROOF FRAME A56CEX IP44 TEFC				<b>PREVIEW</b> WDD   00				
CHECKED										
RELEASED										
REL. DATE		WMO	Jaragua do Sul	Product Engineering	SHEET	1 / 1				

1/3 HP 04 Poles 60 Hz

A