

1

2

3

4

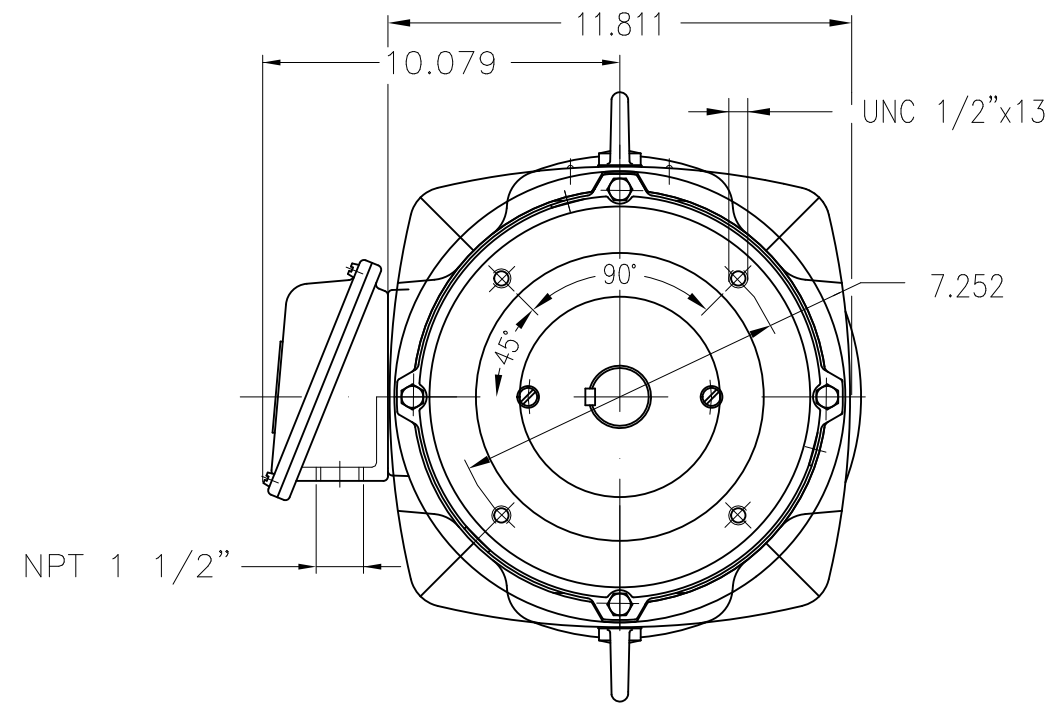
5

6

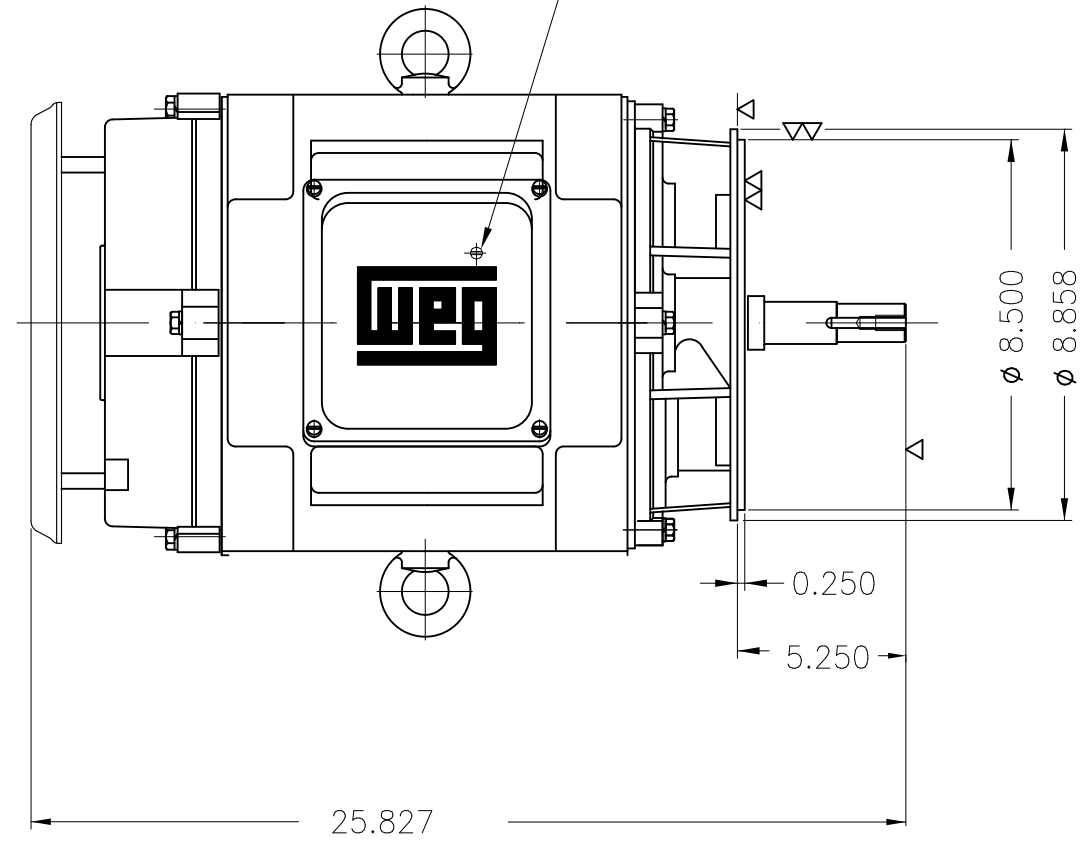
A

B

C

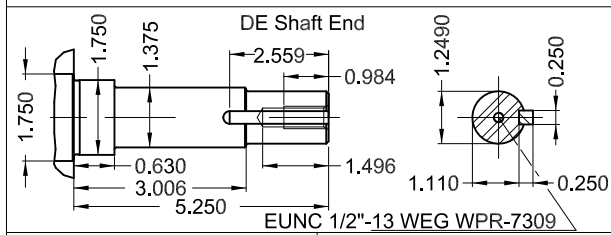


Grounding for leads 5.2-25 mm² / 10-4 AWG



D

E



20 HP 04 Poles 60 Hz A

Without switch off thermal protection
Color RAL 5009
Painting plan 203A
Mounting B14R(D)

ECM	LOC	SUMMARY OF MODIFICATIONS	EXECUTED	CHECKED	RELEASED	DATE	VER
EXECUTED	HYBRISUSER	THREE PH. MOTOR JM/JP/JET PUMP NEMA PREM. EFF. FRAME 256JM IP23 ODP					00
CHECKED							
RELEASED							
REL. DATE	WMO	Jaraguá do Sul	Product Engineering				

PREVIEW
WDD 00
SHEET 1 / 1

