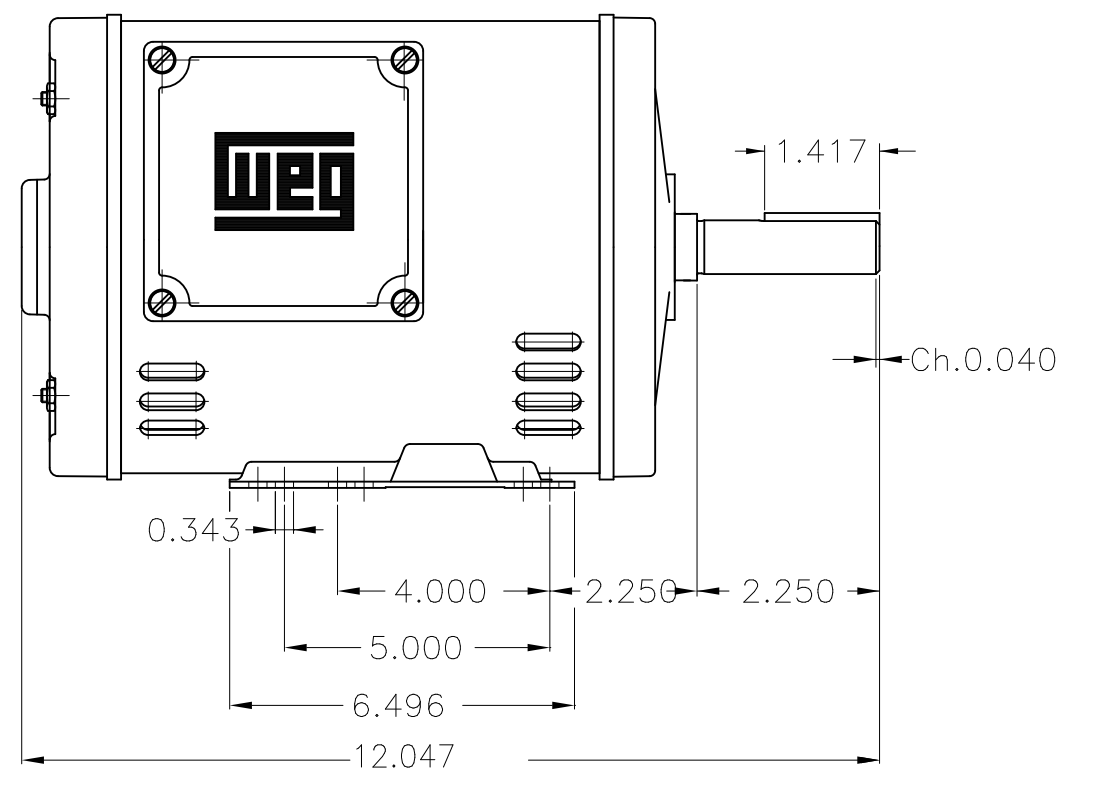
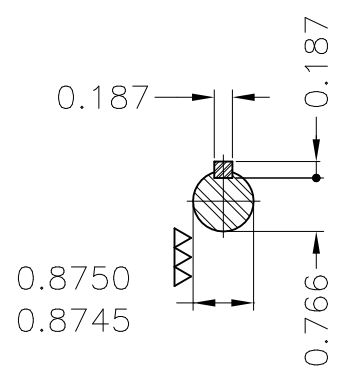
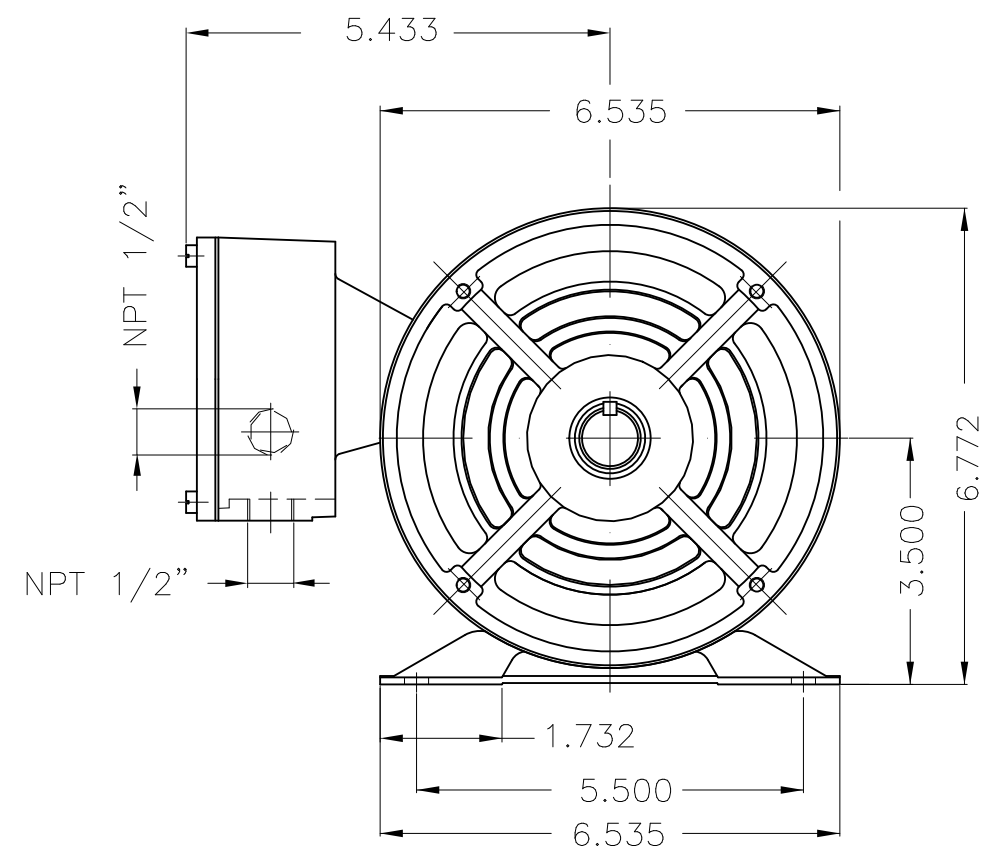


A
B
C
D
E



Without switch off thermal protection						
Mounting B3R(D)						
					HYBRISUSER	00
ECM	LOC	SUMMARY OF MODIFICATIONS		EXECUTED	CHECKED	RELEASED
EXECUTED	HYBRISUSER	THREE PH. MOTOR GENERAL NEMA PREM. EFF.		EXECUTED	CHECKED	RELEASED
CHECKED		FRAME E143/5T IP21 ODP		EXECUTED	CHECKED	RELEASED
RELEASED				EXECUTED	CHECKED	RELEASED
REL. DATE		WMO	Jaragua do Sul	Product Engineering	WDD	00
				SHEET	1 / 1	

1 HP 04 Poles 60 Hz

A



Dimensions in inches XME A3