

1 2 3 4 5 6

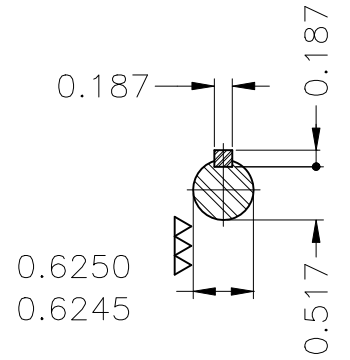
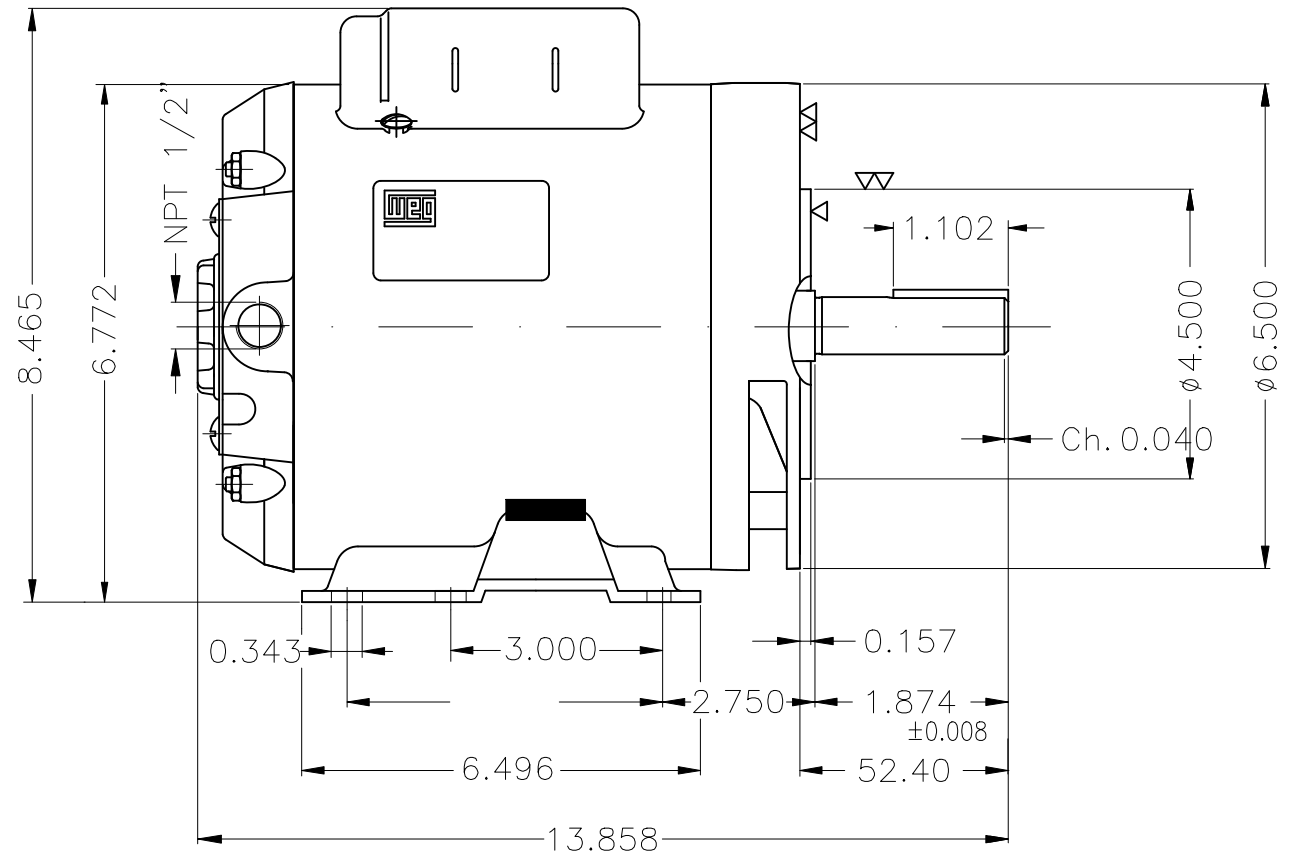
A

B

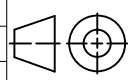
C

D

E



Bearing cap
 Color Munsell N 1 matte black
 Painting plan 207N
 Mounting B34R(D)

ECM	LOC	SUMMARY OF MODIFICATIONS	EXECUTED	CHECKED	RELEASED	DATE	VER
EXECUTED	HYBRISUSER	 SINGLE PH. MOTOR COMPRESSOR DUTY FRAME G56HC IP21 ODP					
CHECKED							
RELEASED							
REL. DATE	WMO	Jaragua do Sul	Product Engineering	PREVIEW	WDD	00	
			SHEET		1 / 1		

5 HP 02 Poles 60 Hz

A

