

1 2 3 4 5 6

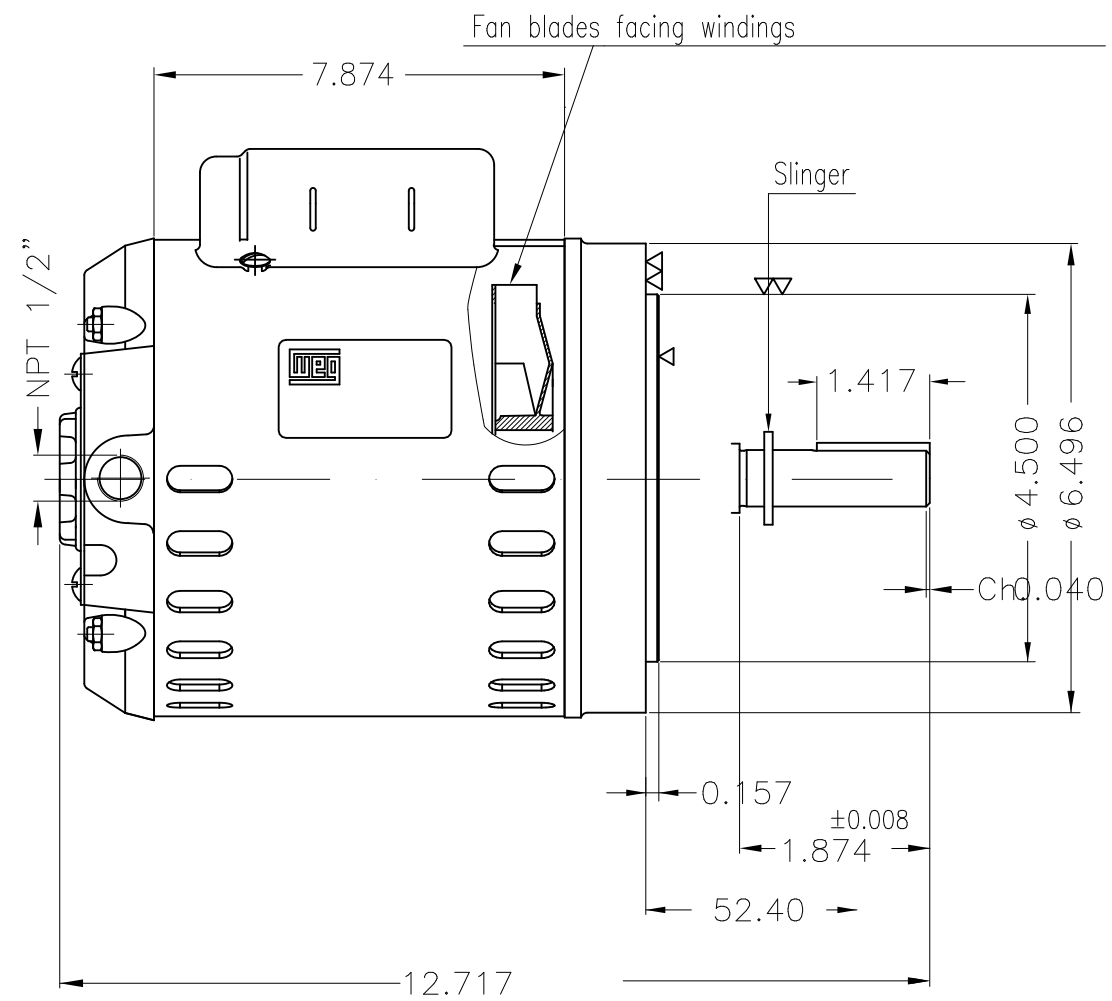
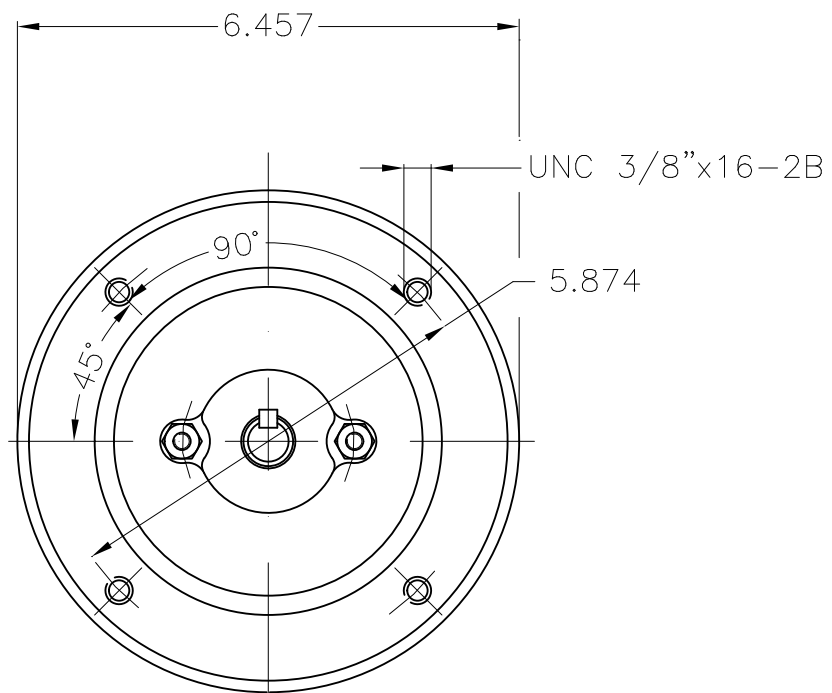
A

B

C

D

E



Mounting B14R(D)										
ECM	LOC	SUMMARY OF MODIFICATIONS				EXECUTED	CHECKED	RELEASED	DATE	VER
EXECUTED	HYBRISUSER	SINGLE PH. MOTOR WJET PUMP								
CHECKED		FRAME E56C IP21 ODP								
RELEASED										
REL. DATE		WMO	Jaragua do Sul	Product Engineering	SHEET	1 / 1	PREVIEW		WDD 00	

2 HP 02 Poles 60 Hz

A

