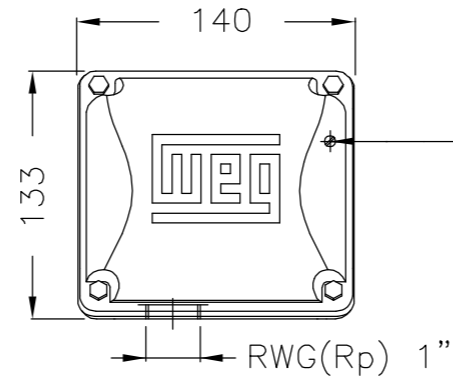


EIXO/SHAFT	
PADRÃO/STANDARD	
OPCIONAL/OPTIONAL	
ESPECIAL/SPECIAL	x

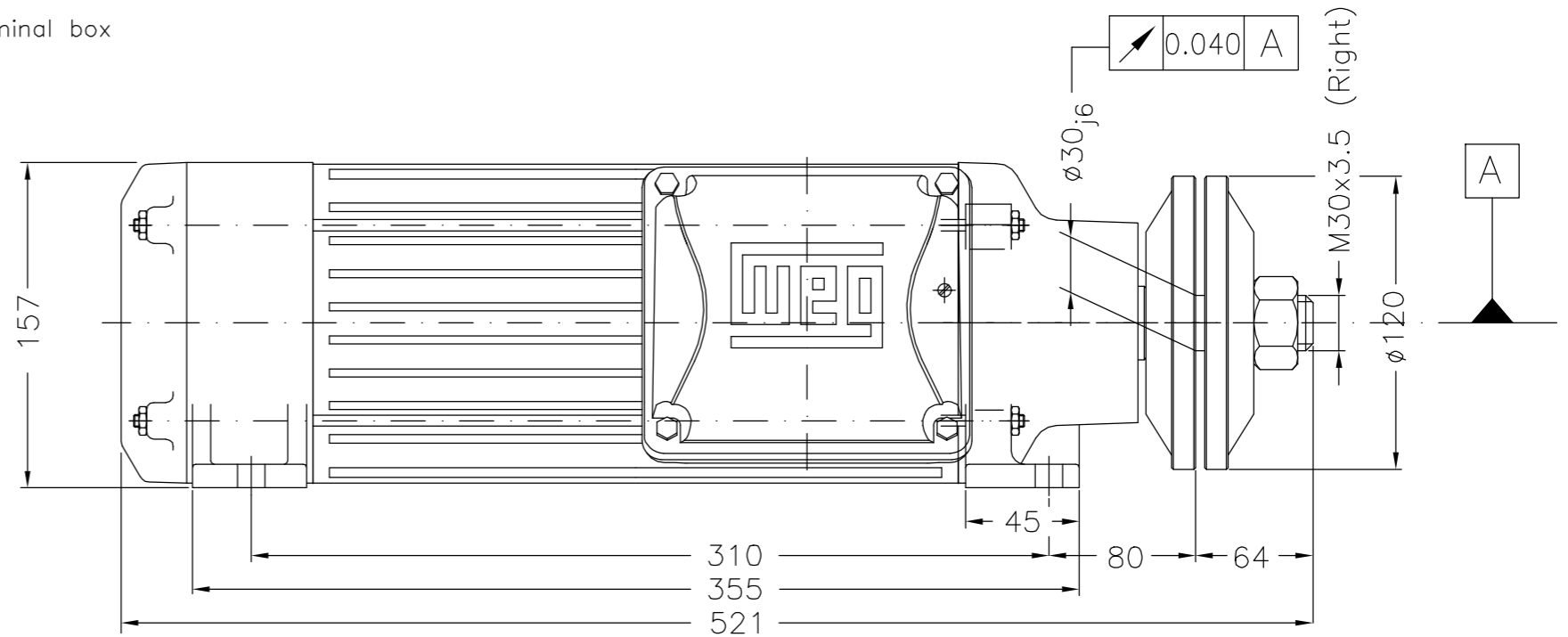
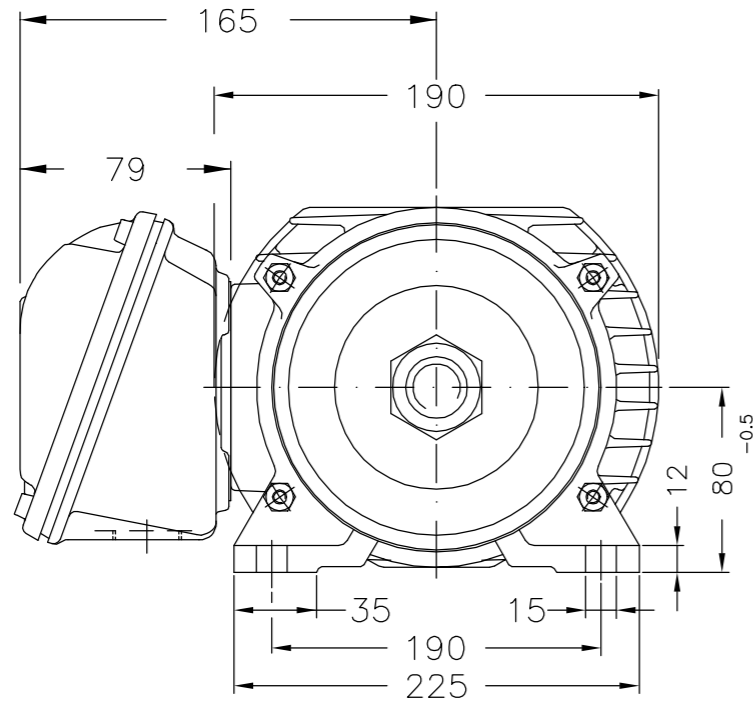
Dimensões em mm  
Dimensions in mm

THIS IS AN UPDATED REVISION, THE PREVIOUS ONE MUST BE DISREGARDED.



Grounding for leads 2-10 mm<sup>2</sup> / 14-7 AWG

Main terminal box



A  
B  
C  
D  
E

CÓPIA SEM CONTROLE

LIBERADO

ZME A3

X2045.02.03 MEC

Fornecido com 2 arruelas onduladas no mancal traseiro para eliminal a folga axial  
Supplied with 2 washer on N.D.E. bearing to eliminate the axial clearance  
Sentido de Rotação Anti-Horário / Counter clockwise rotation  
Isolamento classe F (Dt=80K) / Class F insulation - 80K temperature rise  
Fator de Serviço 1.00 / Service factor 1.0  
Forma Construtiva B3D / Mounting - B3R(D)

500001273532		ALT. CONFORME CLAIM 414559447	FRANCINES		CASSIO	23.02.2017	03
500001273890			FRANCINES		GEVERSON	13.02.2017	
ECM ECM	LOC LOC	RESUMO MODIFICAÇÃO SUMMARY OF MODIFICATIONS	EXECUTADO EXECUTED	VERIFICADO CHECKED	LIBERADO RELEASED	DATA DATE	VER VER
EXEC. /EXECUTED	RUDIK	V.J.PAMENSKY CA (ME 80M/MS)			E1003281		
VERIF. /CHECKED					000   03		
LIBER. /RELEASED	RUDMAR						
DATA LB /REL DT	21.09.2008	JARAGUÁ DO SUL	ENGENHARIA DE PRODUTO	FOLHA/SHEET	01 / 01		

