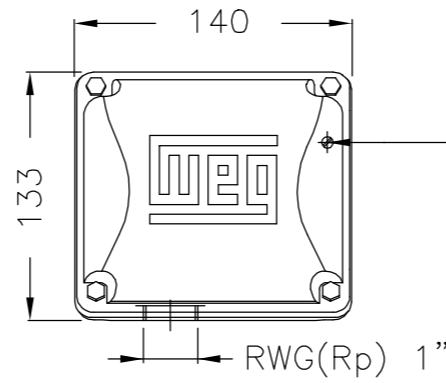
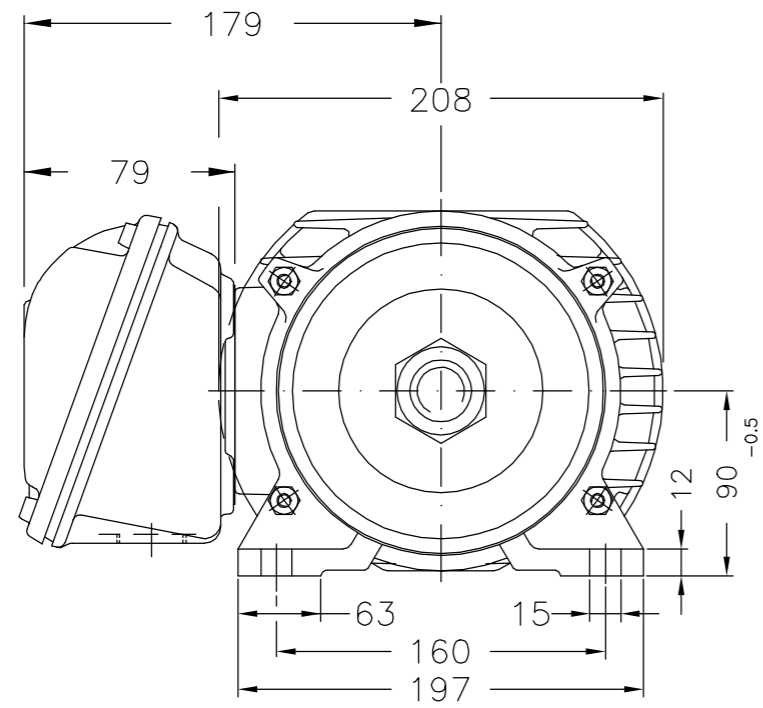


EIXO/SHAFT	
PADRÃO/STANDARD	X
OPCIONAL/OPTIONAL	
ESPECIAL/SPECIAL	

Dimensões em mm
Dimensions in mm

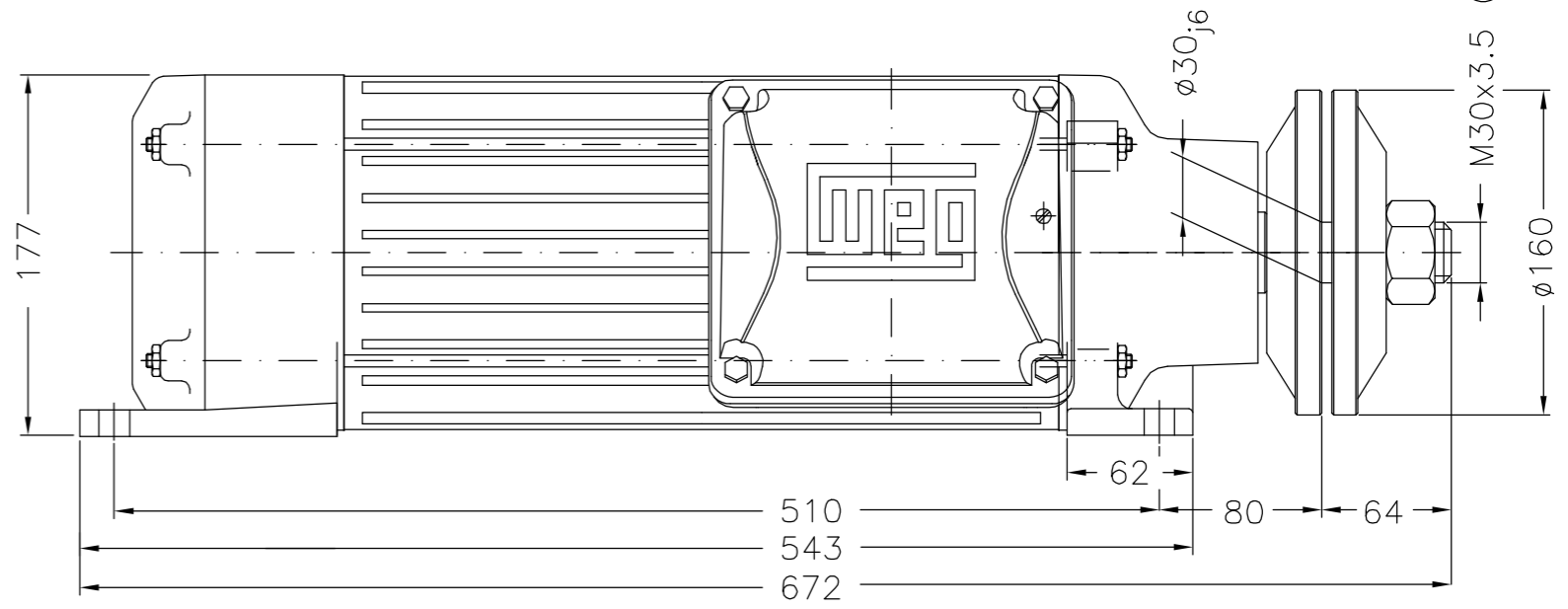
THIS IS AN UPDATED REVISION, THE PREVIOUS ONE MUST BE DISREGARDED.

A
B
C
D
E



Grounding for leads 2-10 mm² / 14-7 AWG

Main terminal box



Fornecido com 2 arruelas onduladas com mancal traseiro para eliminar a folga axial
Supplied with 2 washer on ODE bearing to eliminate the axial clearance
Isolamento classe F (Dt=80K) / Class F insulation - 80K temperature rise
Sentido de Rotação Horário / Clockwise
Fator de Serviço 1.0 / Service factor 1.0
Forma Construtiva B3D / Mounting - B3R(D)

500001273522		ALT. CONFORME CLAIM 414559355	FRANCINES		CASSIO	23.02.2017	01
500000002434			ADRIANAP		ADRIANAP	22.08.2008	00
ECM ECM	LOC LOC	RESUMO MODIFICAÇÃO SUMMARY OF MODIFICATIONS	EXECUTADO EXECUTED	VERIFICADO CHECKED	LIBERADO RELEASED	DATA DATE	VER VER
EXEC. /EXECUTED	ADRIANAP	V.J.PAMENSKY CA (ME 90L-MS)	E1003182		000 01		
VERIF. /CHECKED							
LIBER. /RELEASED	ADRIANAP		ZME A3		WEG		
DATA LB /REL DT	22.08.2008	JARAGUÁ DO SUL					