

1 2 3 4 5 6

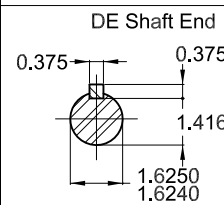
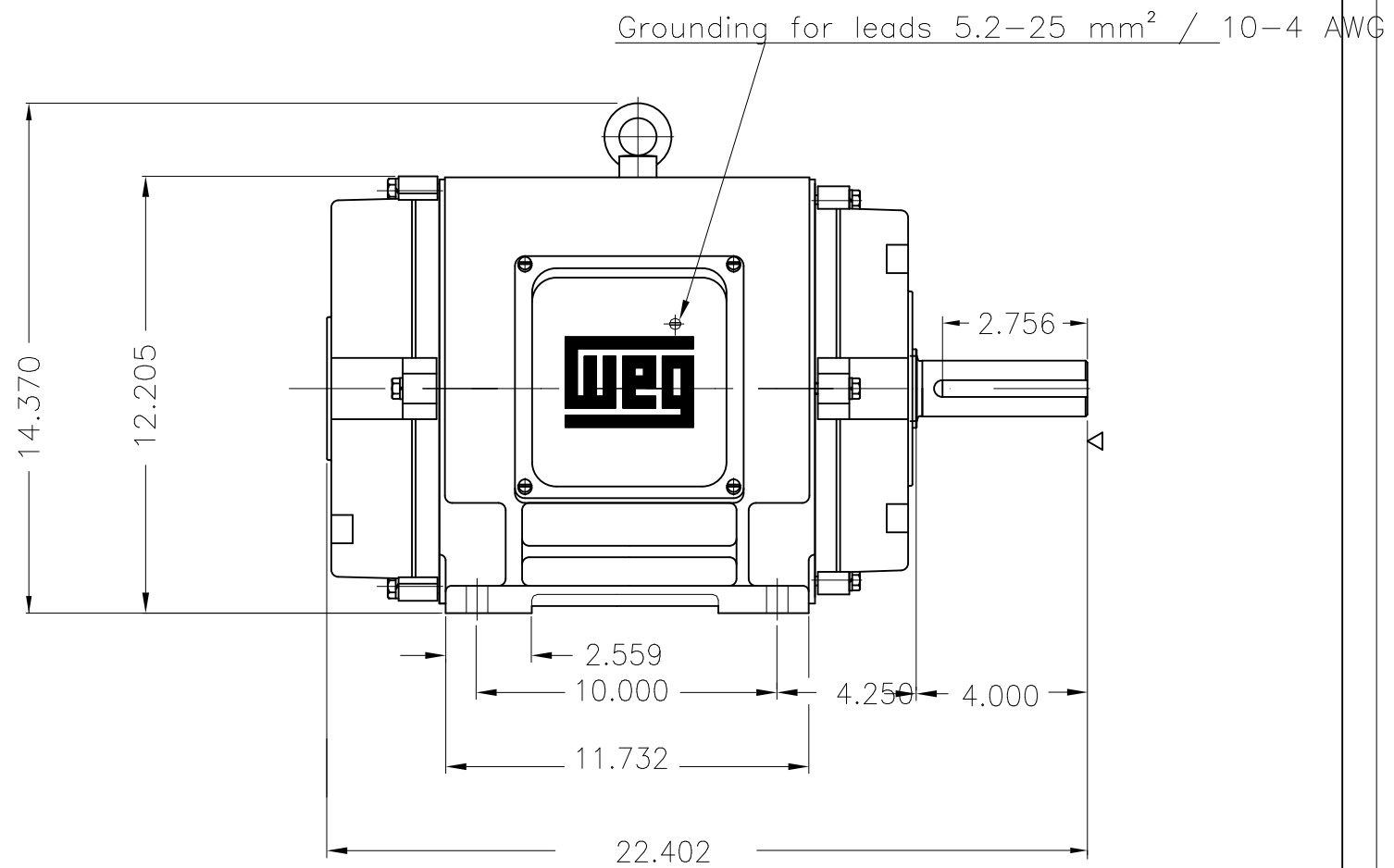
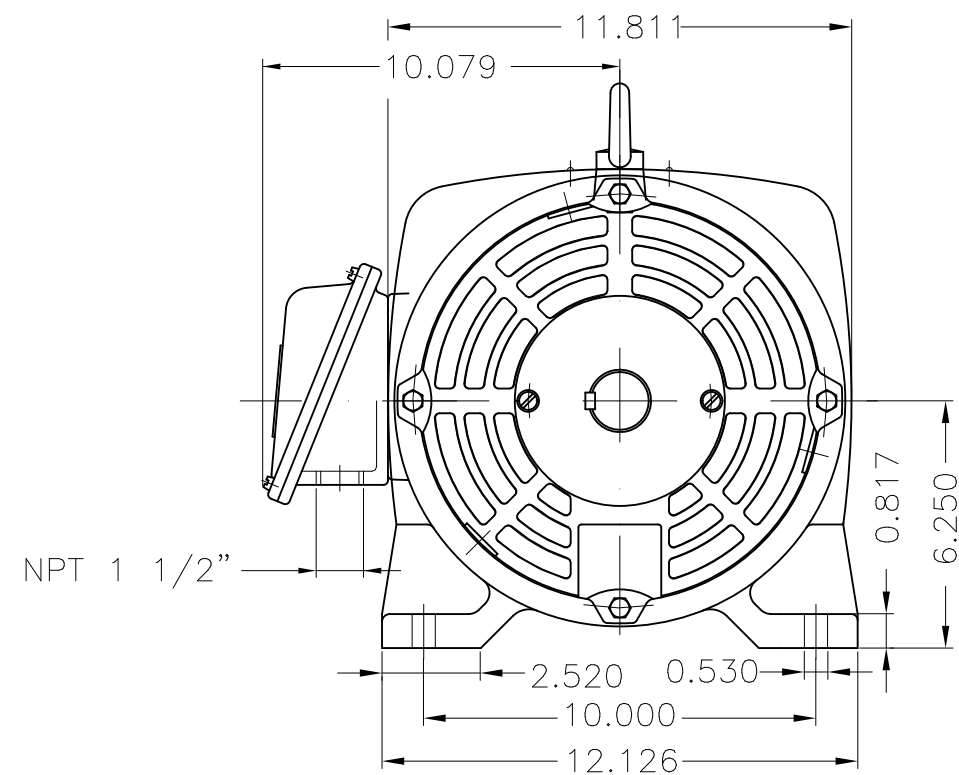
A

B

C

D

E



Color RAL 5009  
 Painting plan 203A  
 Mounting B3R(D)

20 HP 04 Poles 60 Hz

A

ECM	LOC	SUMMARY OF MODIFICATIONS	EXECUTED	CHECKED	RELEASED	DATE	VER
EXECUTED	HYBRISUSER	THREE PH. MOTOR GENERAL NEMA PREM. EFF.					
CHECKED		FRAME 256T IP23 ODP					
RELEASED							
REL. DATE	WMO	Jaragua do Sul	Product Engineering				

HYBRISUSER

00

PREVIEW

WDD | 00



SHEET 1 / 1