

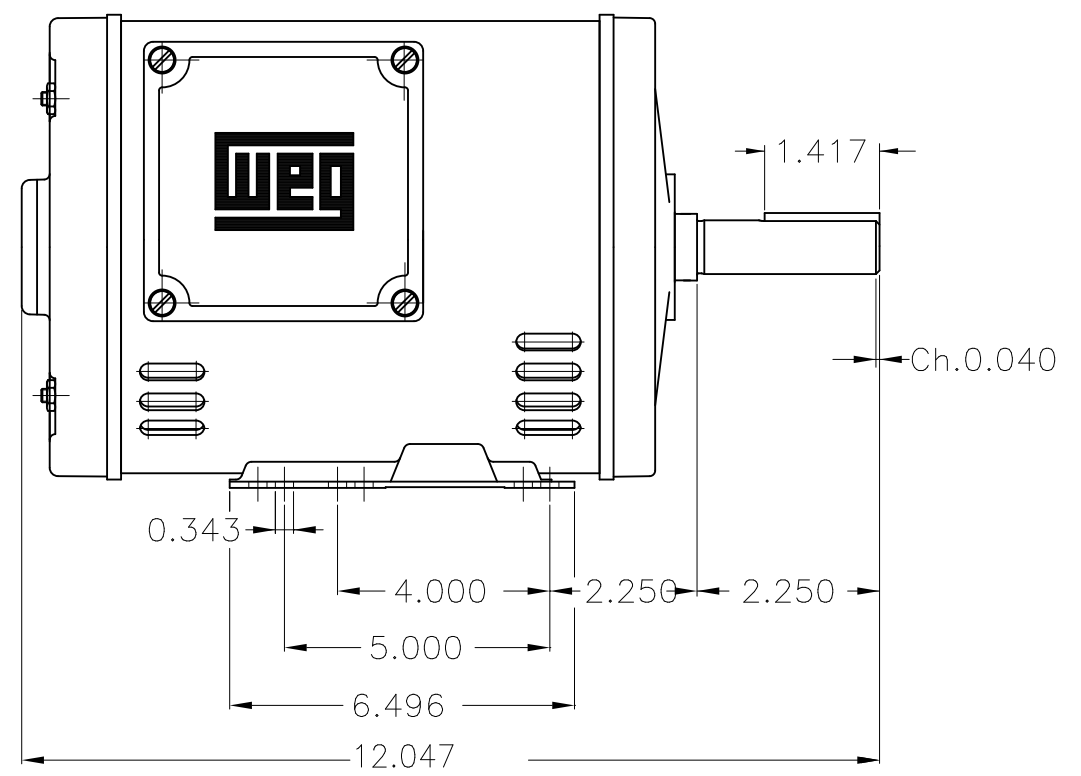
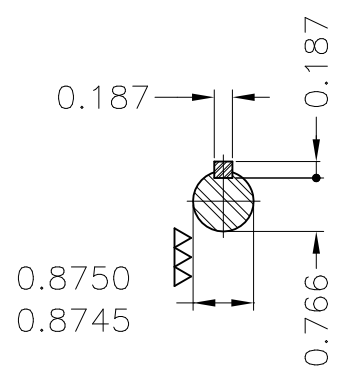
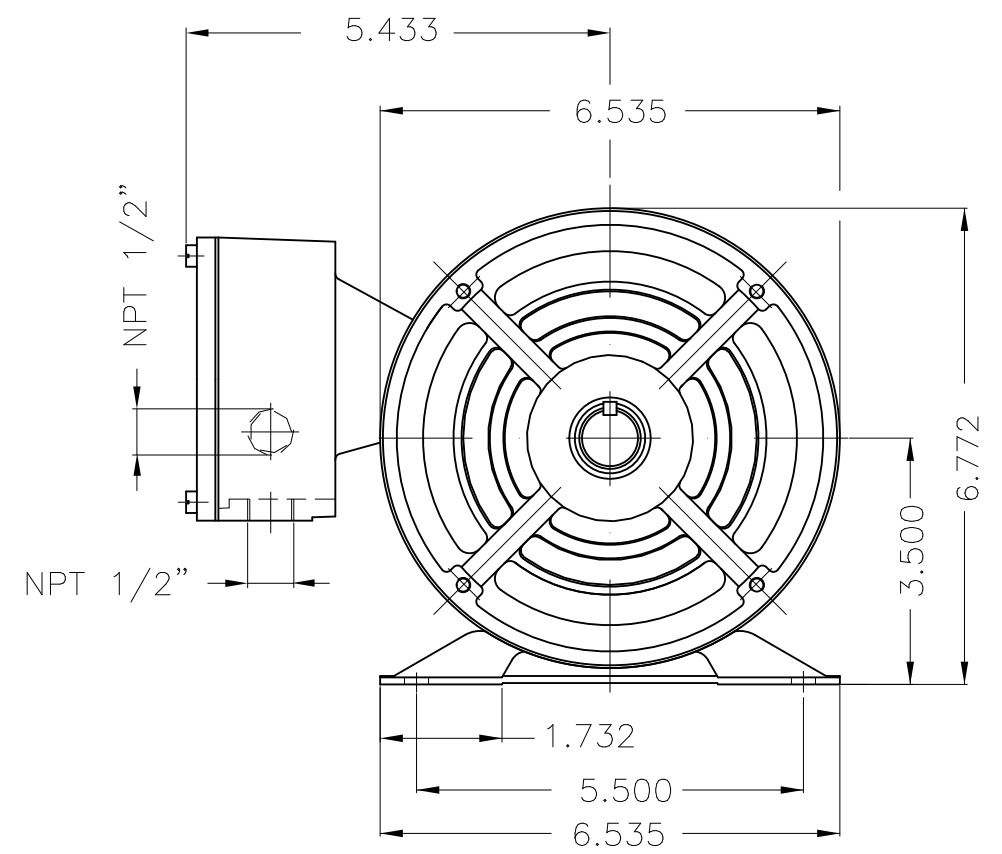
A


B

C

D

E



Without switch off thermal protection						
Mounting B3R(D)						
					HYBRISUSER	00
ECM	LOC	SUMMARY OF MODIFICATIONS		EXECUTED	CHECKED	RELEASED
EXECUTED	HYBRISUSER	THREE PH. MOTOR GENERAL NEMA PREM. EFF.			PREVIEW	
CHECKED		FRAME E143/5T IP21 ODP			WDD	00
RELEASED					SHEET	1 / 1
REL. DATE		WMO	Jaragua do Sul	Product Engineering		

1.5 HP 04 Poles 60 Hz

A