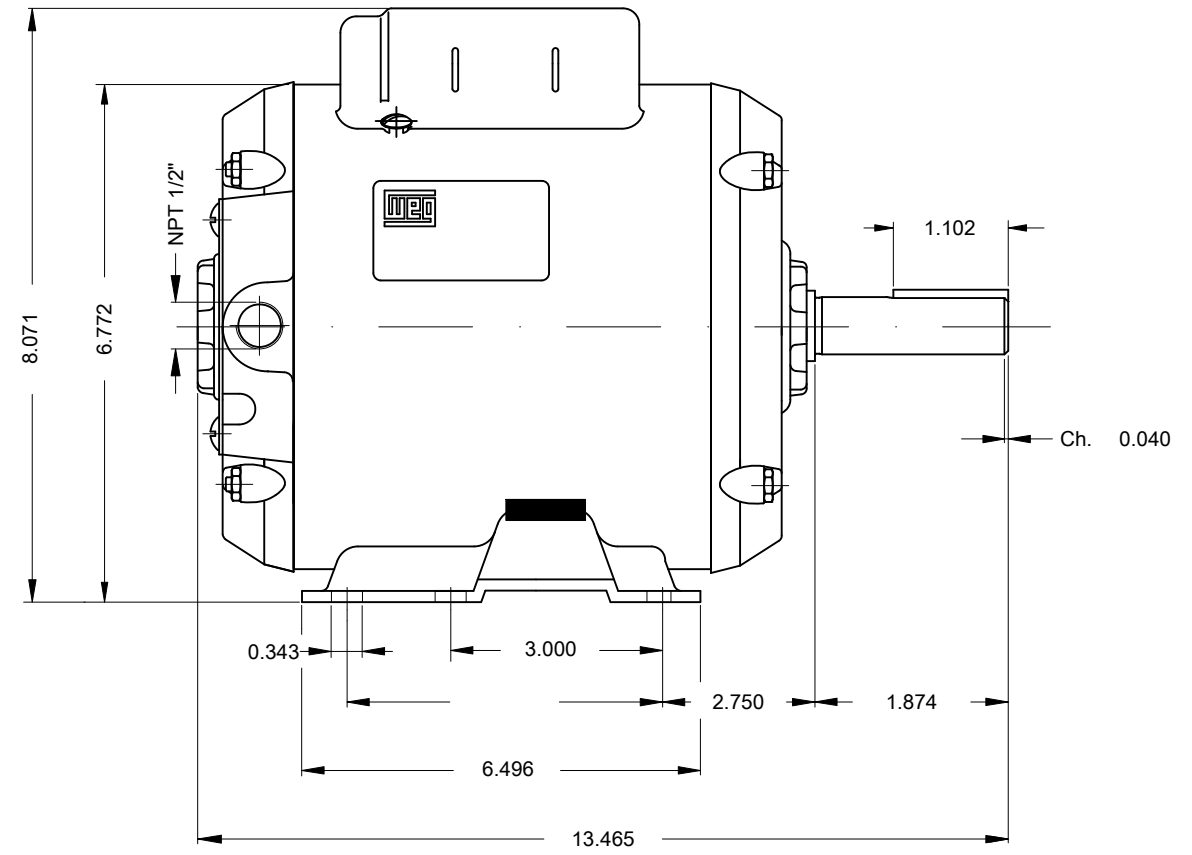
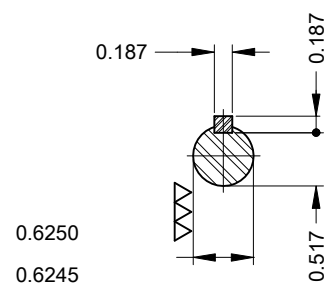
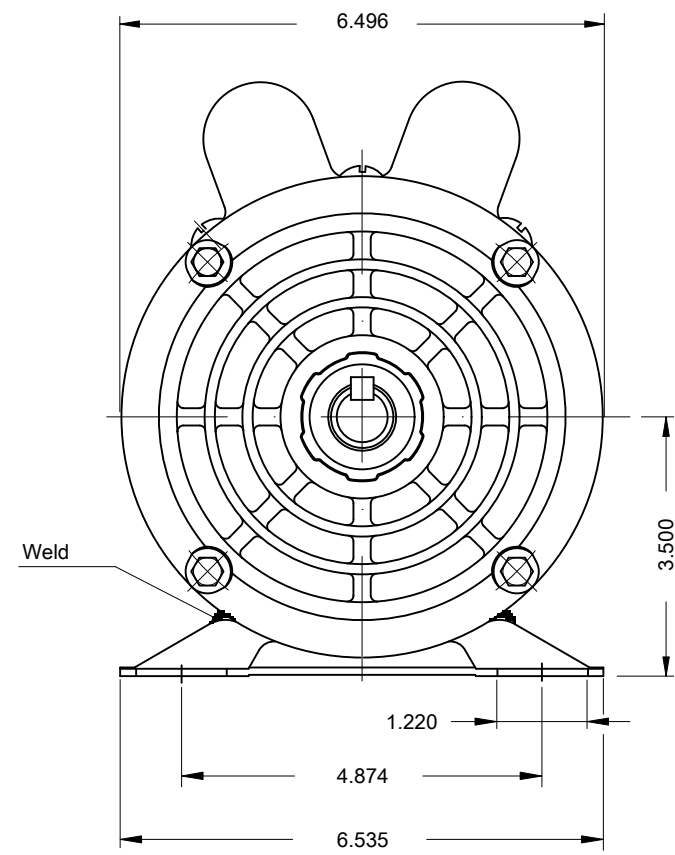
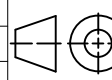



1 2 3 4 5 6

A  
B  
C  
D  
E



Color Munsell N 1 matte black  
 Painting plan 207N  
 Mounting B3R(D)

						HYBRISUSER								00			
ECM	LOC	SUMMARY OF MODIFICATIONS				EXECUTED	CHECKED	RELEASED	DATE	VER							
EXECUTED	HYBRISUSER	 SINGLE PH. MOTOR COMPRESSOR DUTY FRAME F56H IP21 ODP				PREVIEW											
CHECKED						WDD	00										
RELEASED						SHEET	1 / 1										
REL. DATE		WMO	Jaragua do Sul	Product Engineering													

3 HP 02 Poles 60 Hz

A