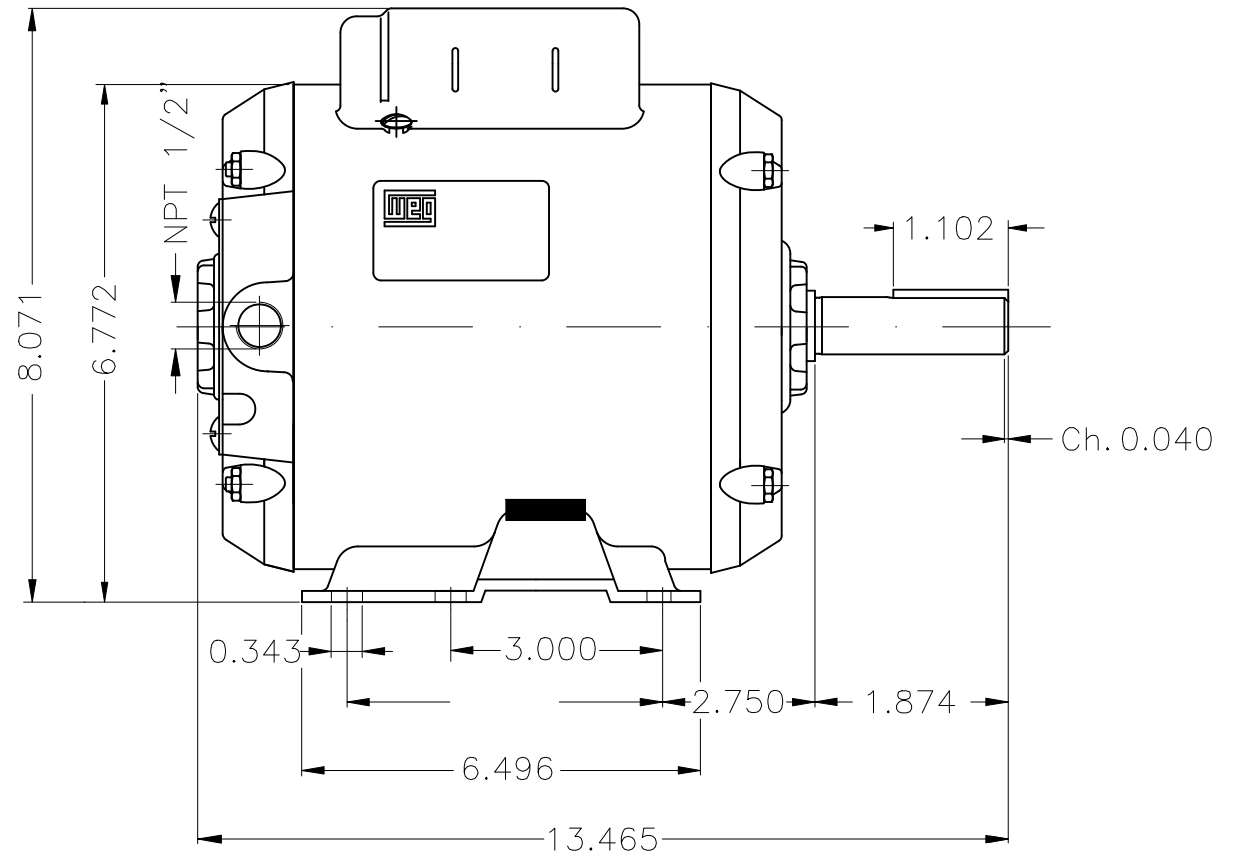
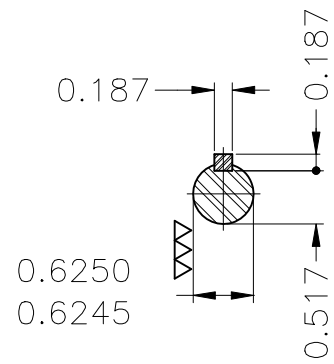
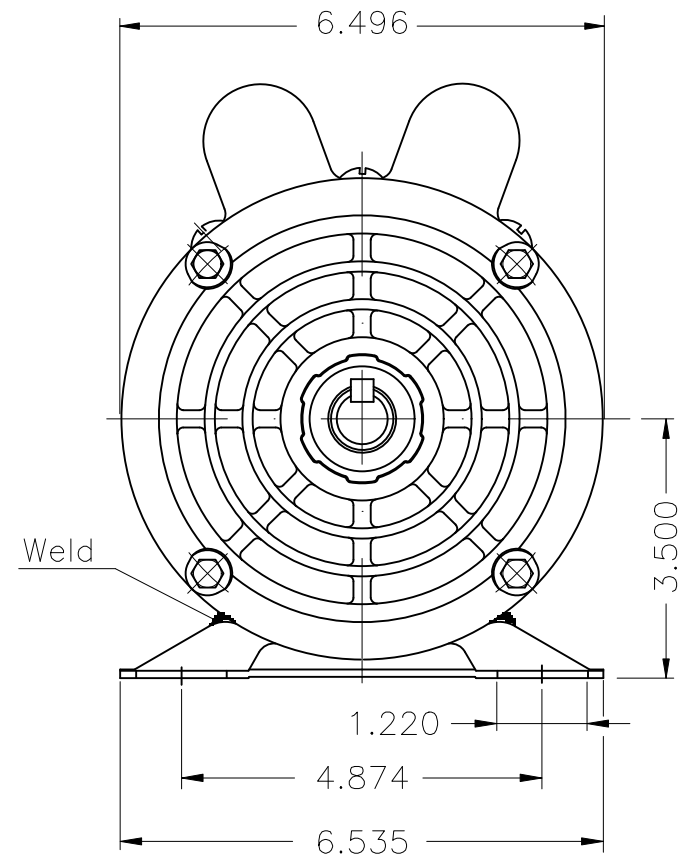


A
B
C
D
E



Color Munsell N 1 matte black												
Painting plan 207N												
Mounting B3R(D)												
								HYBRISUSER		00		
ECM	LOC	SUMMARY OF MODIFICATIONS					EXECUTED	CHECKED	RELEASED	DATE	VER	
EXECUTED	HYBRISUSER	SINGLE PH. MOTOR COMPRESSOR DUTY FRAME F56H IP21 ODP					PREVIEW					
CHECKED							WDD		00			
RELEASED							SHEET		1 / 1			
REL. DATE		WMO	Jaragua do Sul	Product Engineering								

3 HP 02 Poles 60 Hz

A

