

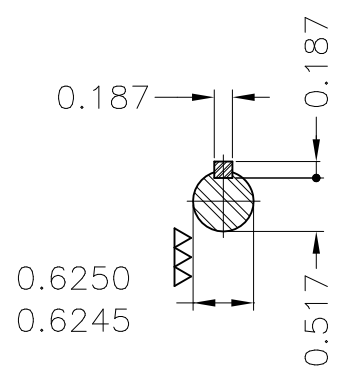
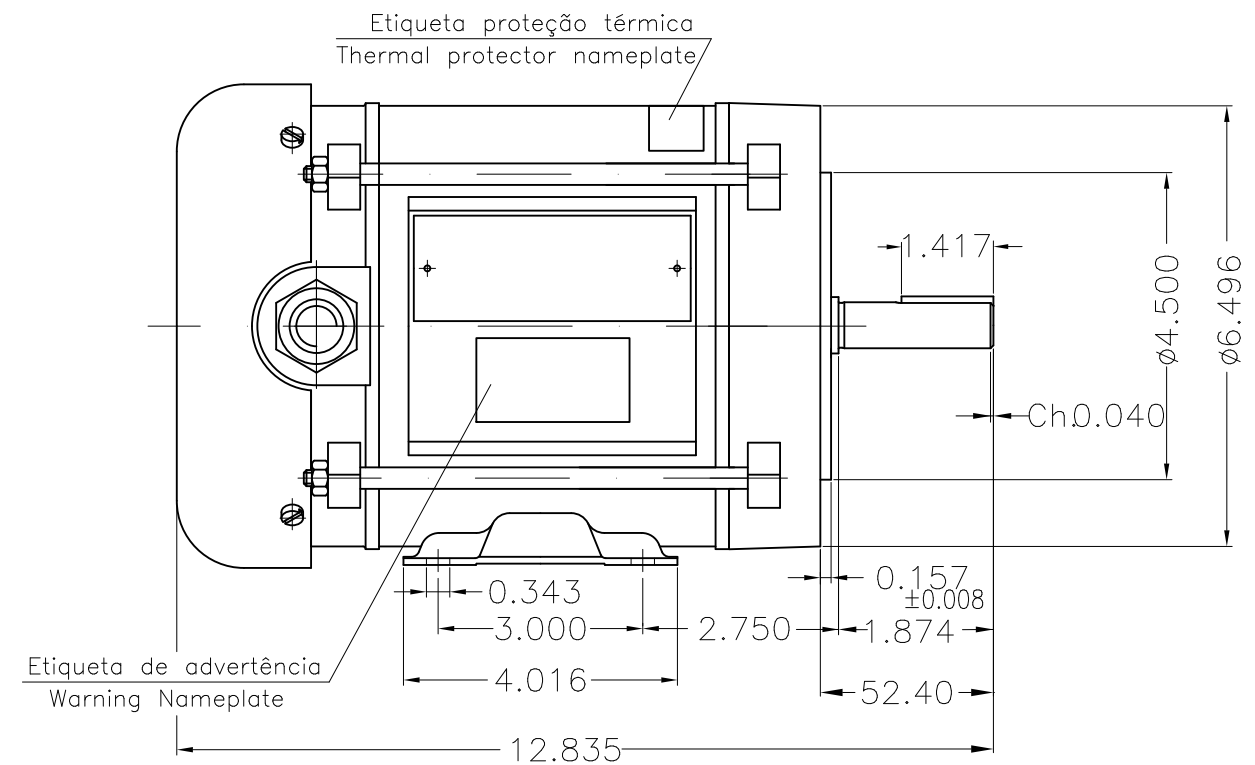
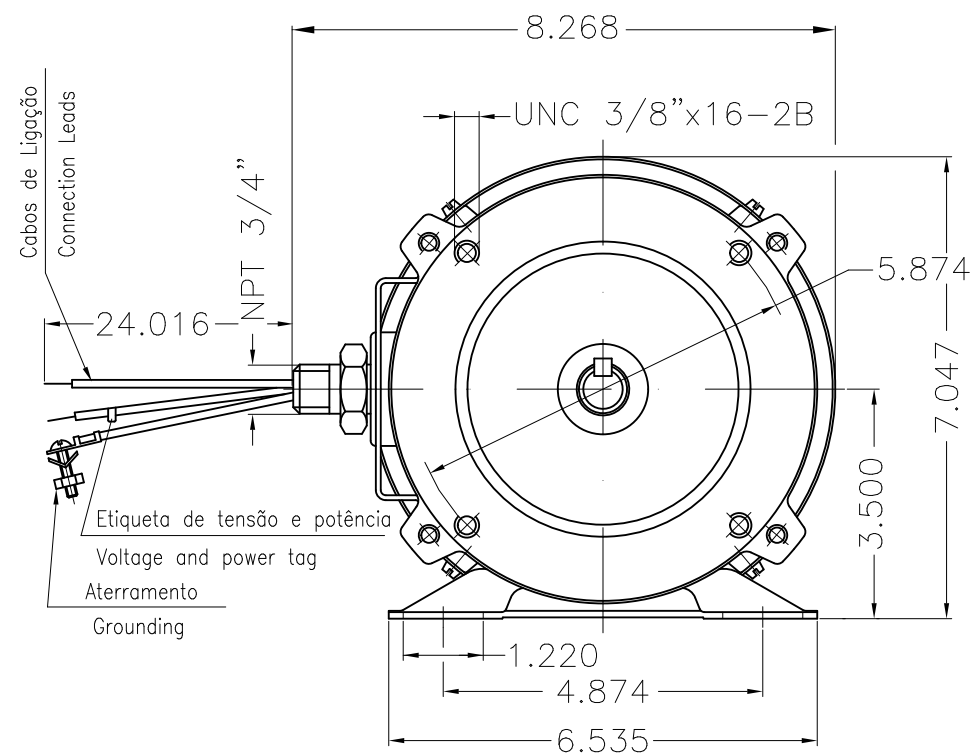
A

B

C

D

E



Bearing cap					
Mounting B34R(D)					
				HYBRISUSER	00
ECM	LOC	SUMMARY OF MODIFICATIONS		EXECUTED	CHECKED
EXECUTED	HYBRISUSER	THREE PH. MOTOR EXPLOSION PROOF			
CHECKED		FRAME B56CEX IP44 TEFC			
RELEASED					
REL. DATE	WMO	Jaragua do Sul	Product Engineering	PREVIEW	WDD 00
				SHEET 1 / 1	

0.75 HP 04 Poles 60 Hz

A

