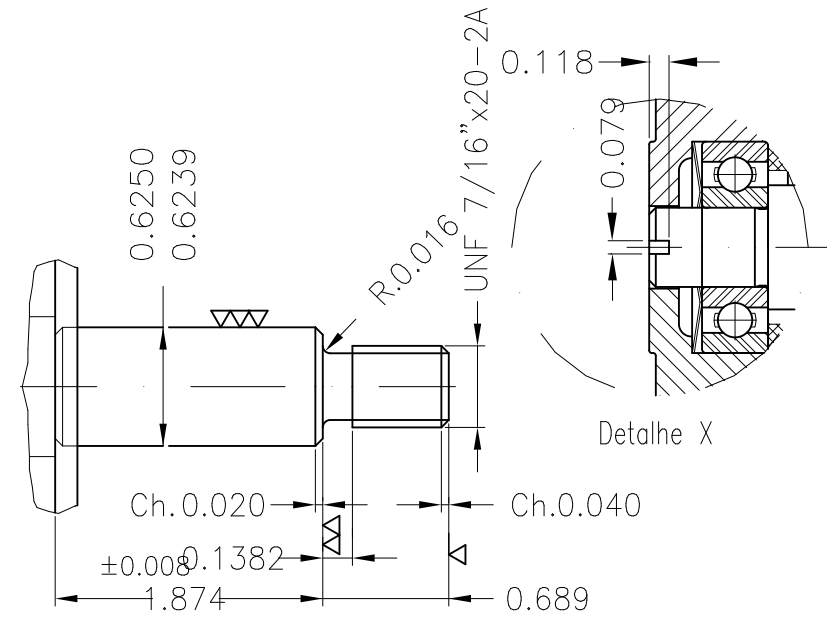
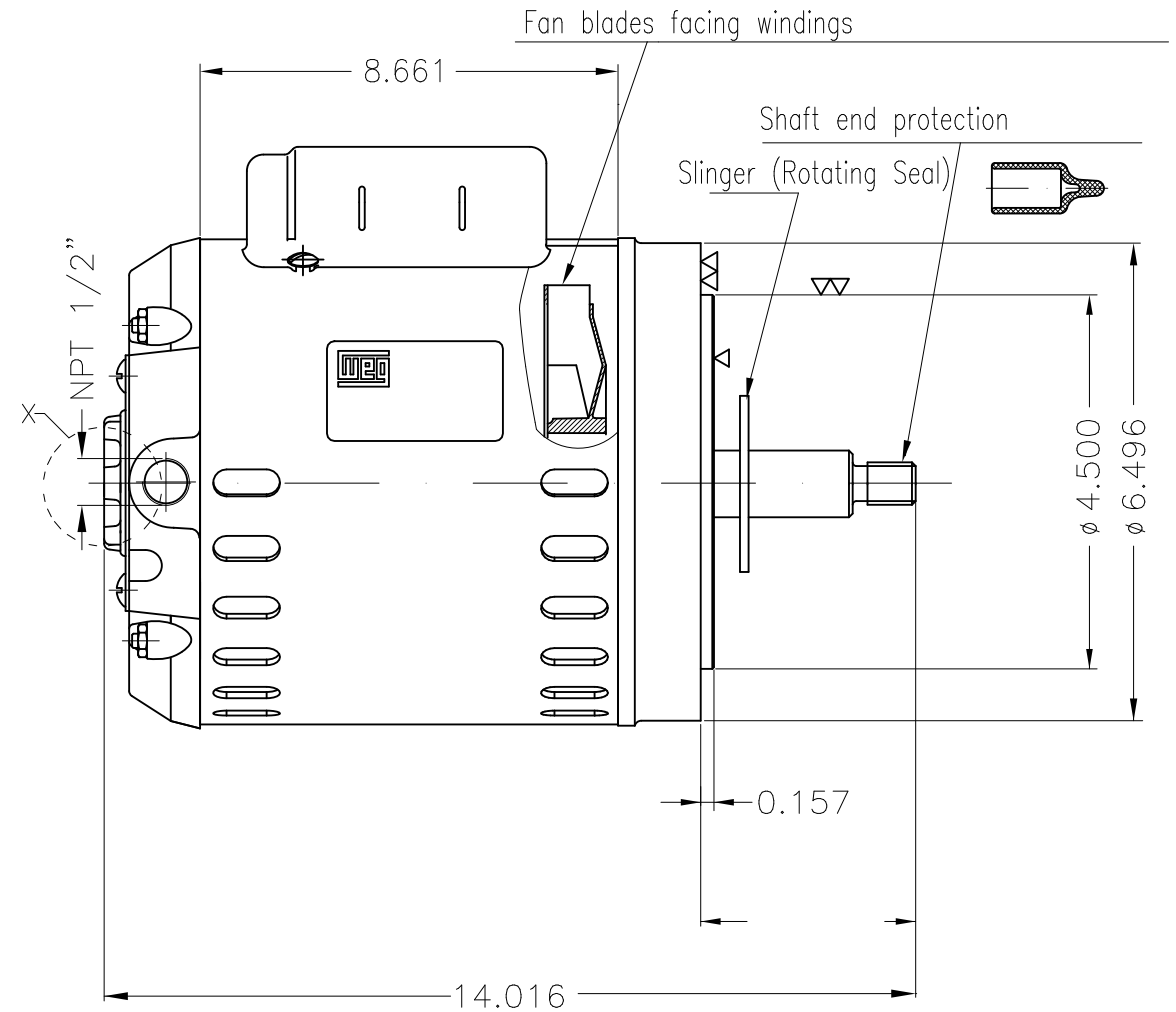
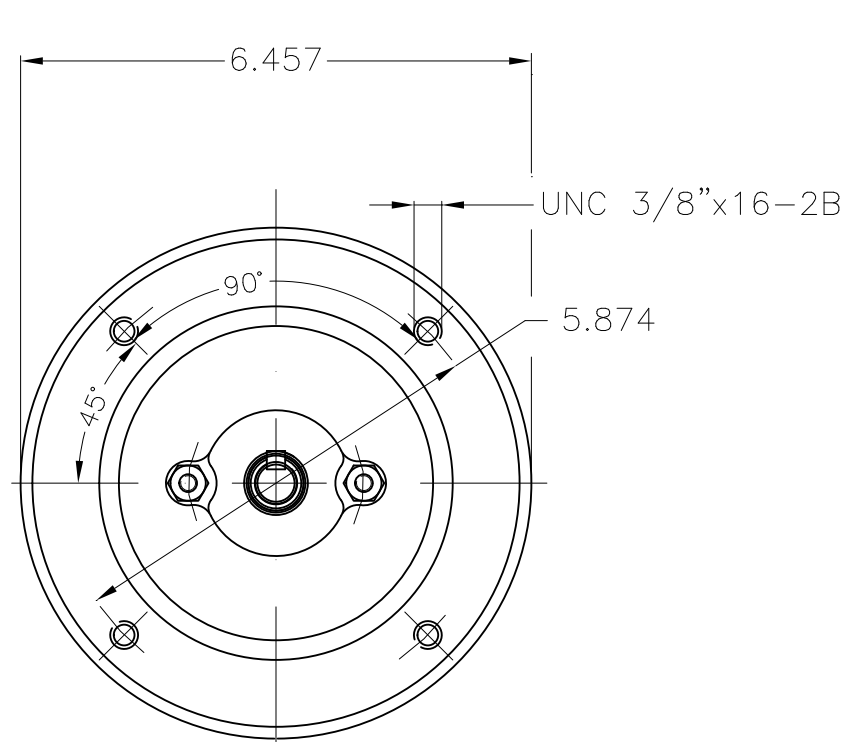


1 2 3 4 5 6

A
B
C
D
E



Mounting B14R(D)									
ECM	LOC	SUMMARY OF MODIFICATIONS			EXECUTED	CHECKED	RELEASED	DATE	VER
EXECUTED	HYBRISUSER	SINGLE PH. MOTOR WJET PUMP							00
CHECKED		FRAME E56J IP21 ODP							
RELEASED									
REL. DATE		WMO	Jaragua do Sul	Product Engineering					

3 HP 02 Poles 60 Hz

A REL. DATE WMO Jaragua do Sul Product Engineering SHEET 1 / 1

PREVIEW
WDD 00
WEG