

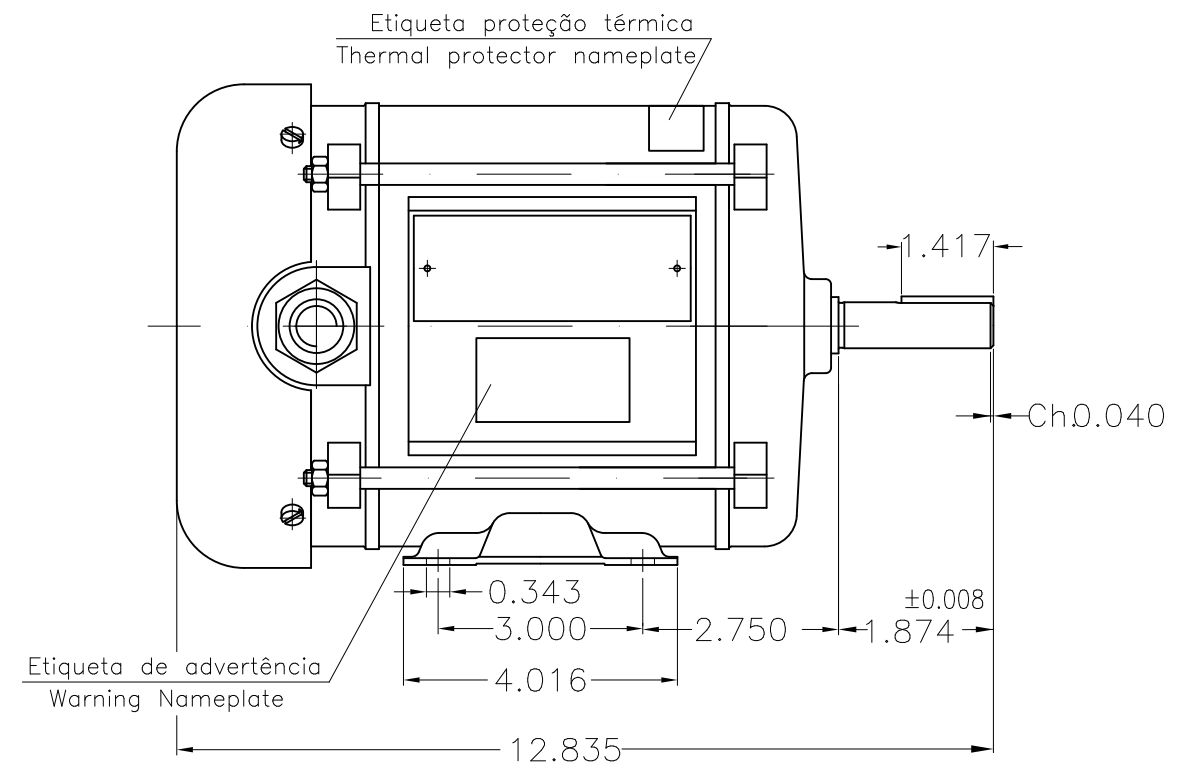
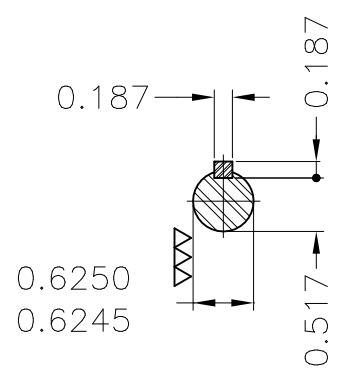
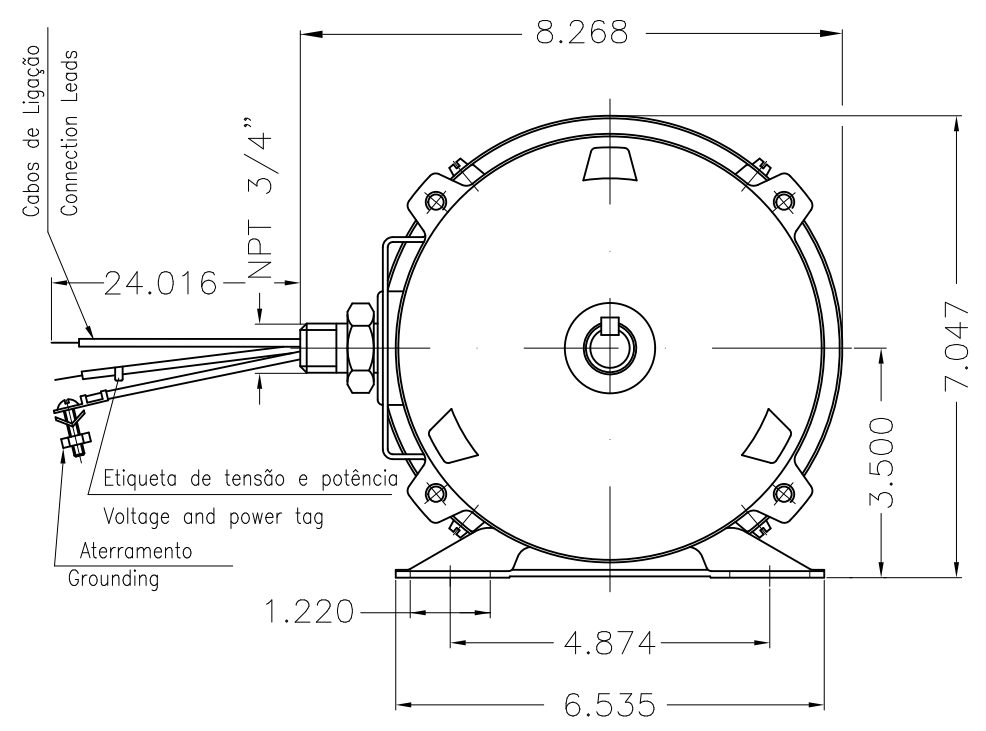
A

B

C

D

E



Mounting B3R(D)										
					HYBRISUSER					00
ECM	LOC	SUMMARY OF MODIFICATIONS				EXECUTED	CHECKED	RELEASED	DATE	VER
EXECUTED	HYBRISUSER	THREE PH. MOTOR EXPLOSION PROOF				PREVIEW				
CHECKED		FRAME B56EX IP44 TEFC				WDD 00				
RELEASED						SHEET 1 / 1				
REL. DATE		WMO	Jaragua do Sul	Product Engineering						

0.5 HP 04 Poles 60 Hz

A

