

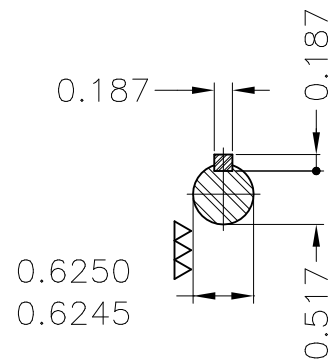
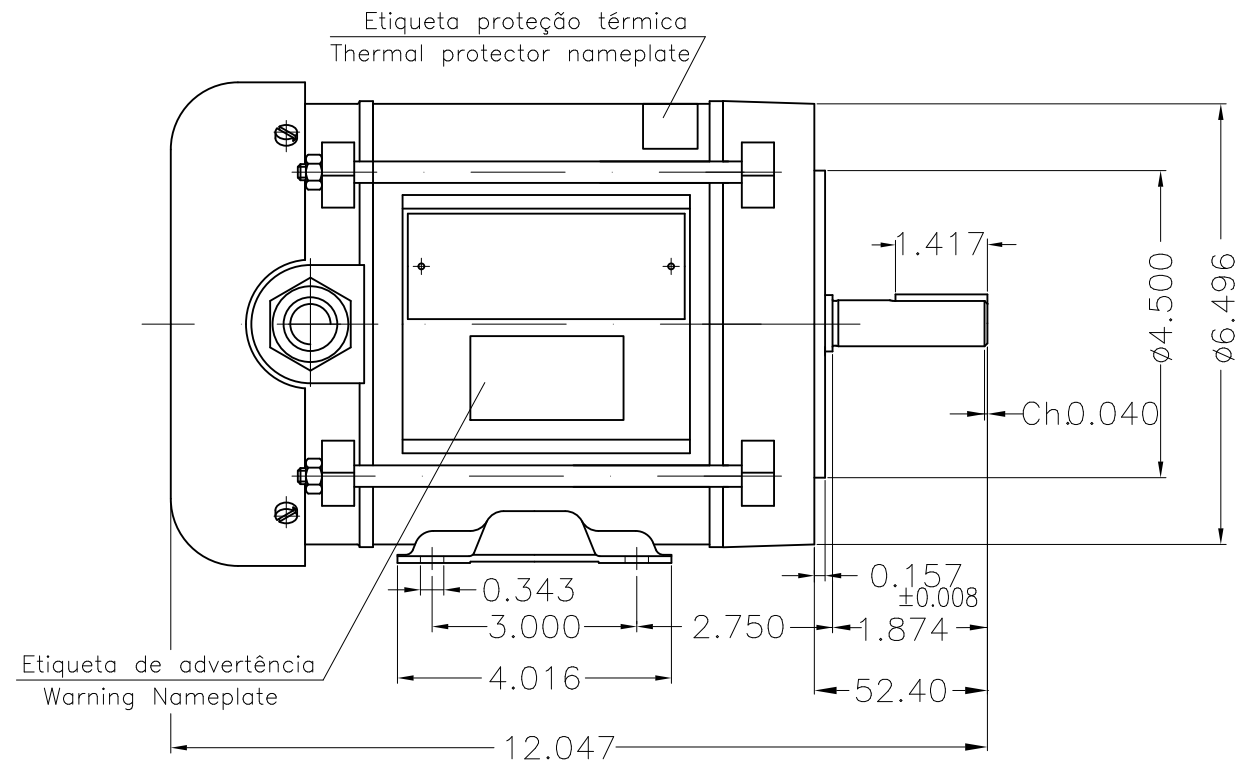
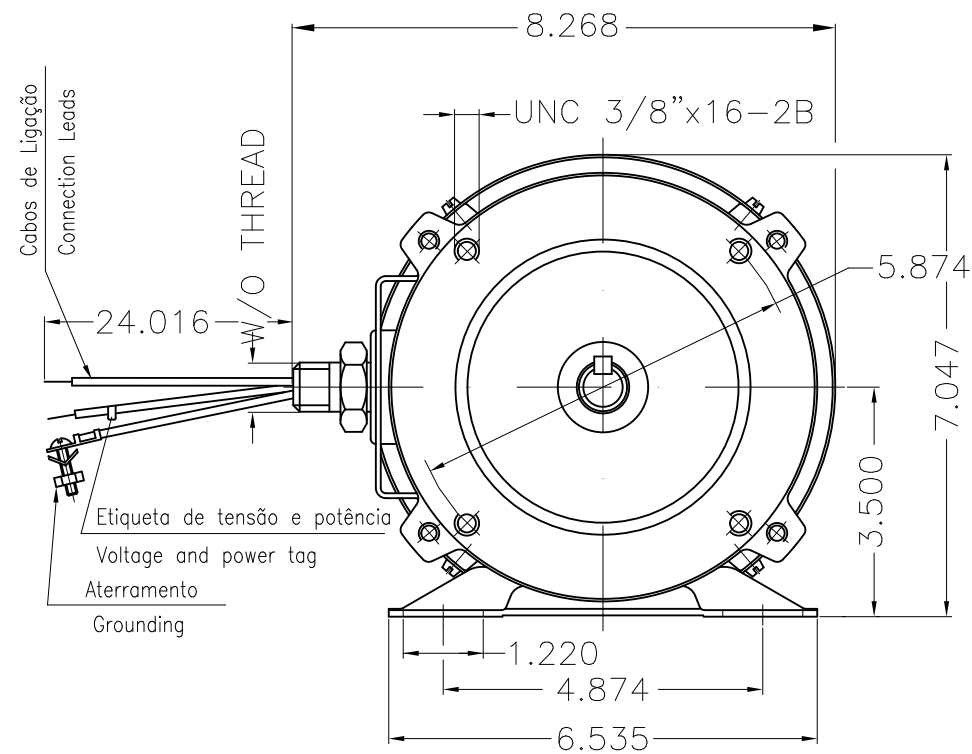
A

B



C

D

E



Mounting B34R(D)

HYBRISUSER						00				
ECM	LOC	SUMMARY OF MODIFICATIONS			EXECUTED	CHECKED	RELEASED	DATE	VER	
EXECUTED	HYBRISUSER	 SINGLE PH. MOTOR EXPLOSION PROOF FRAME A56CEX IP44 TEFC			PREVIEW					
CHECKED					WDD		00			
RELEASED					SHEET		1 / 1			
REL. DATE		WMO Jaragua do Sul		Product Engineering		1 / 1				

1/3 HP 04 Poles 60 Hz

A