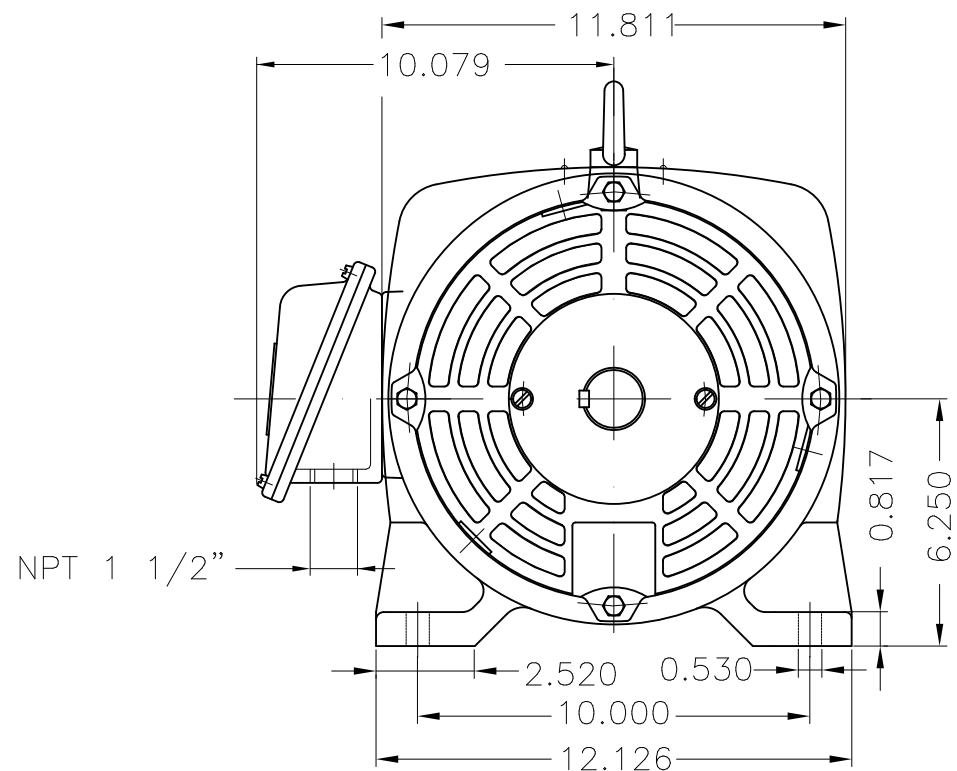


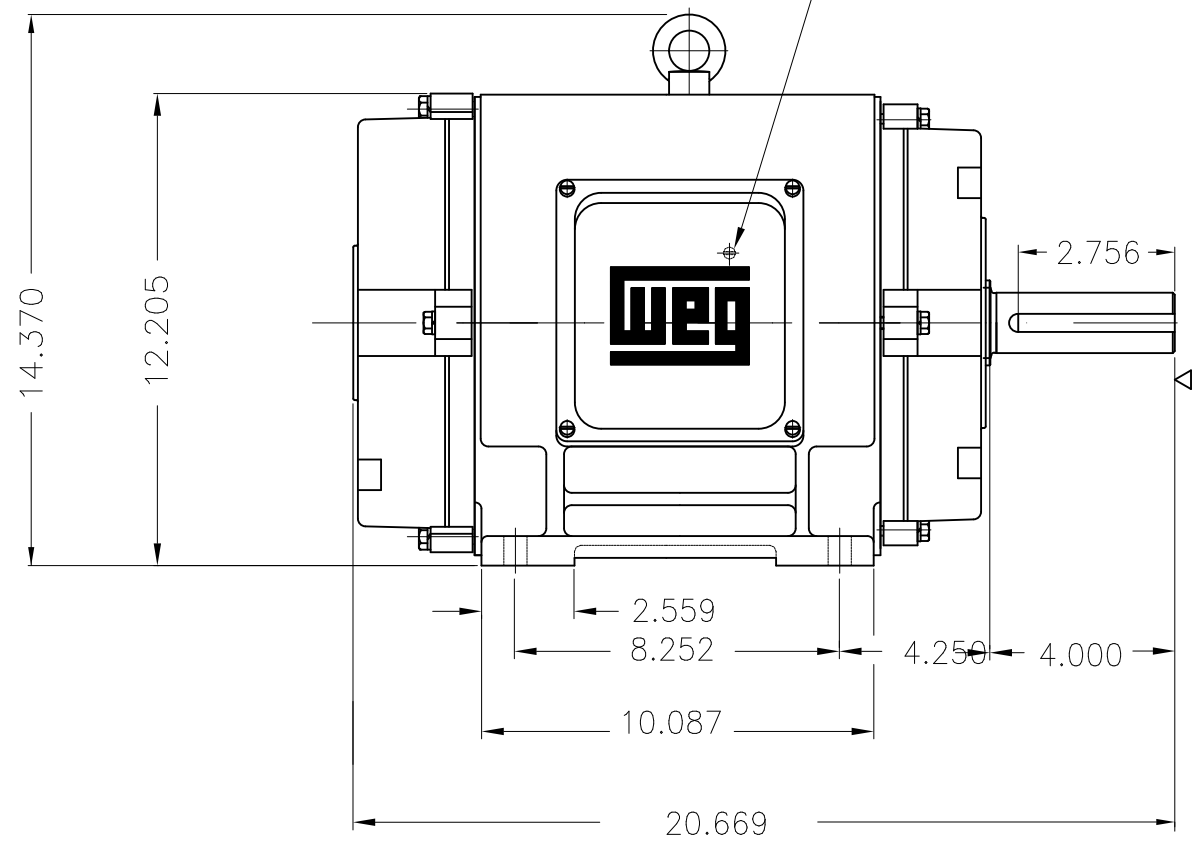
A

B

C

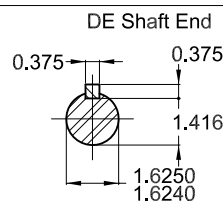


Grounding for leads 5.2-25 mm<sup>2</sup> / 10-4 AWG



D

E



Color RAL 5009  
Painting plan 203A  
Mounting B3R(D)

15 HP 04 Poles 60 Hz A

			HYBRISUSER			00		
ECM	LOC	SUMMARY OF MODIFICATIONS	EXECUTED	CHECKED	RELEASED	DATE	VER	
EXECUTED	HYBRISUSER	THREE PH. MOTOR GENERAL NEMA PREM. EFF.						
CHECKED		FRAME 254T IP23 ODP						
RELEASED								
REL. DATE	WMO	Jaragua do Sul	Product Engineering					

PREVIEW  
WDD 00

