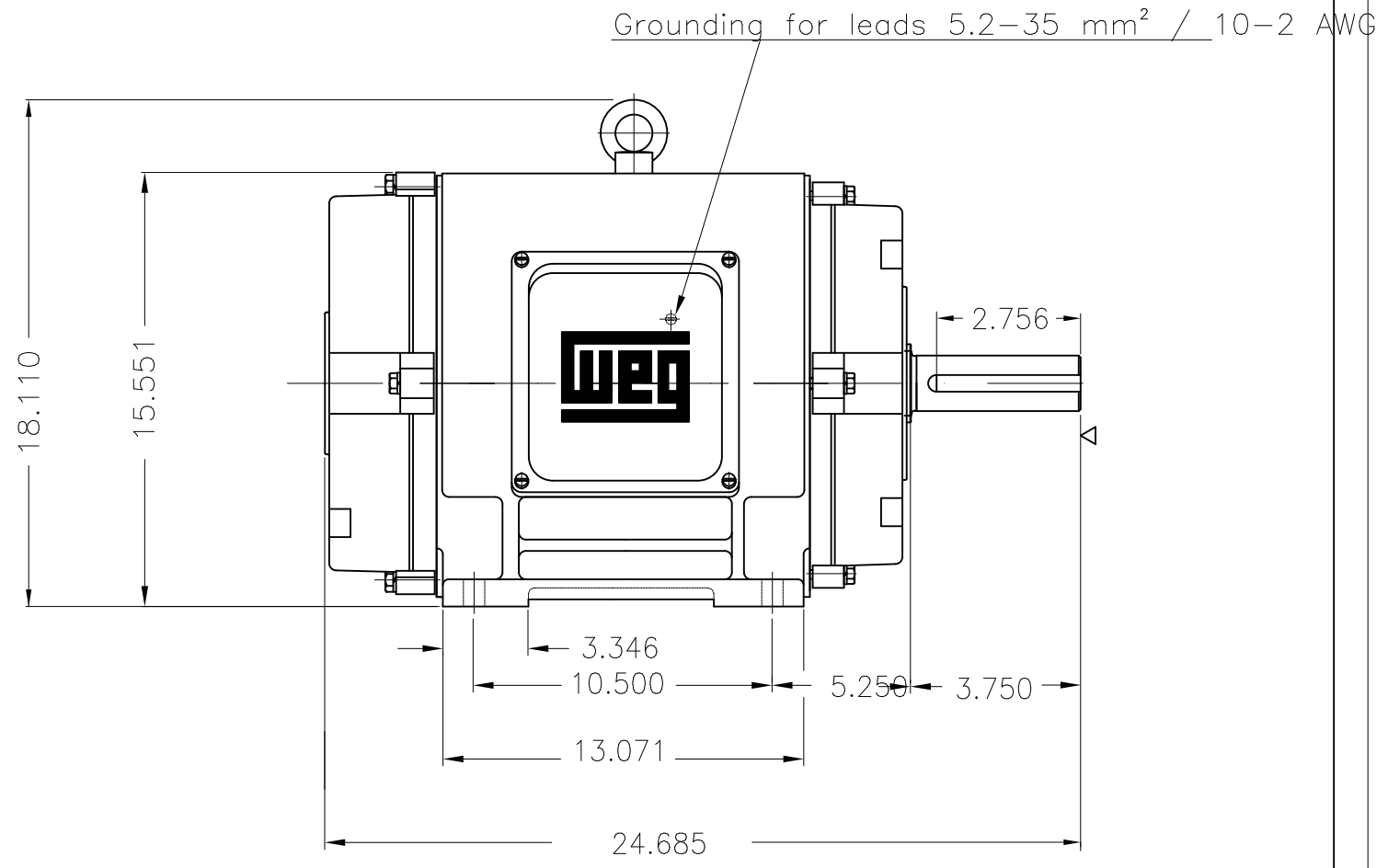
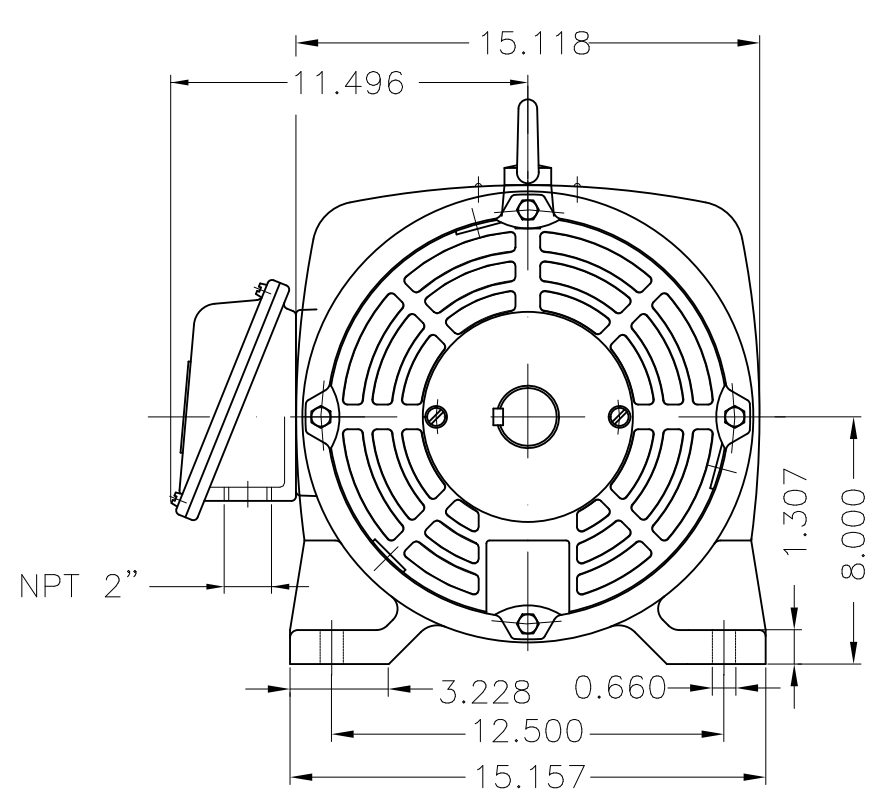


1 2 3 4 5 6

A

B

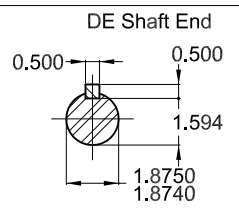
C



D

E

Color RAL 5009
Painting plan 203A
Mounting B3R(D)



50 HP 02 Poles 60 Hz A

ECM	LOC	SUMMARY OF MODIFICATIONS	EXECUTED	CHECKED	RELEASED	DATE	VER
EXECUTED	HYBRISUSER	THREE PH. MOTOR GENERAL NEMA PREM. EFF.					
CHECKED		FRAME 324TS IP23 ODP					
RELEASED							
REL. DATE		WMO Jaragua do Sul					

HYBRISUSER 00

PREVIEW

WDD | 00

SHEET 1 / 1

Dimensions in inches XME A3