

1 2 3 4 5 6

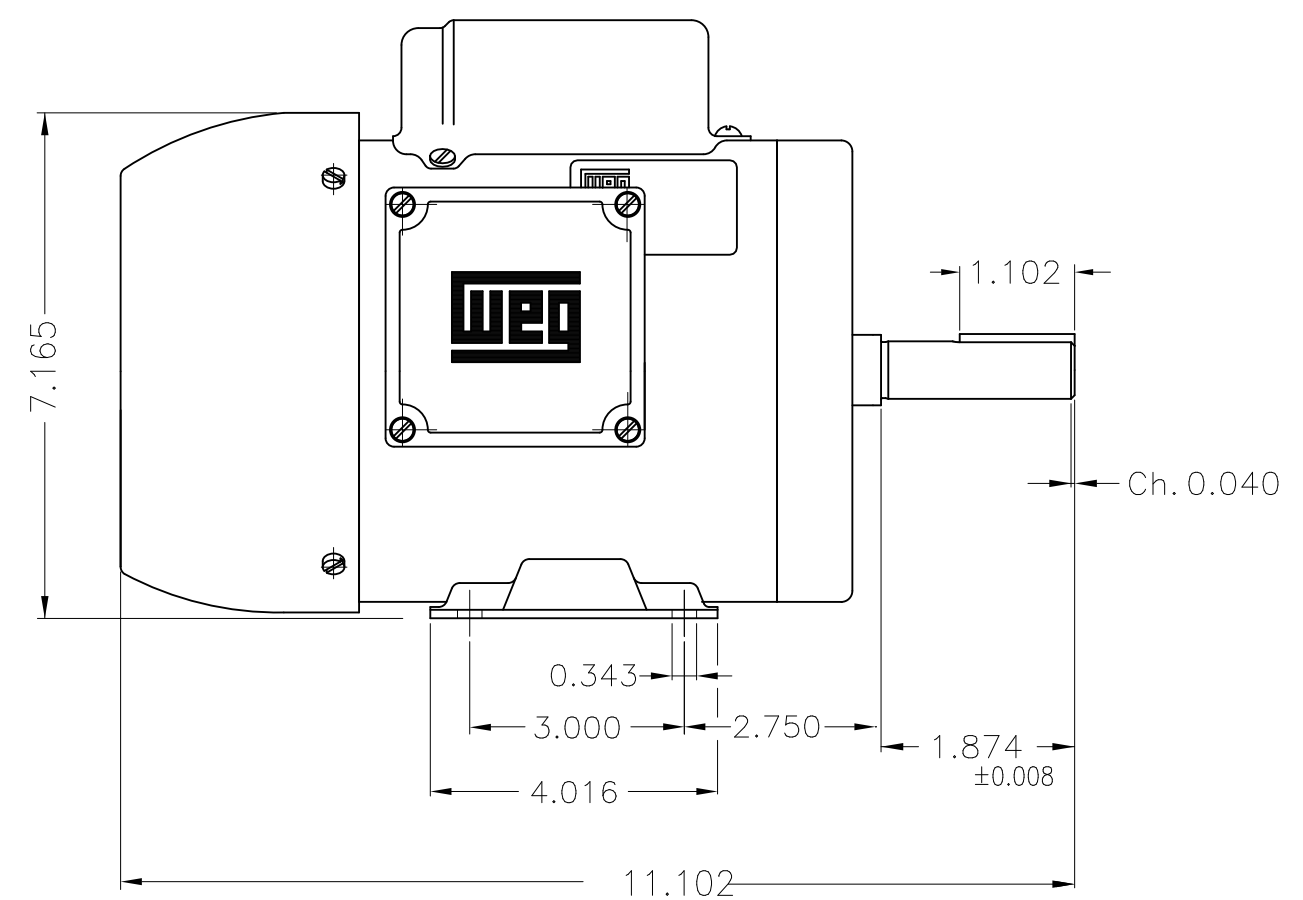
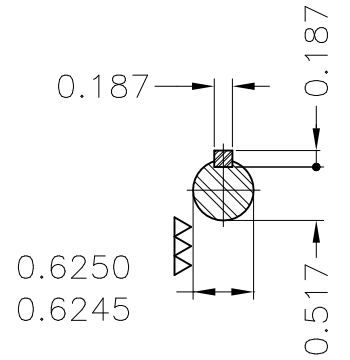
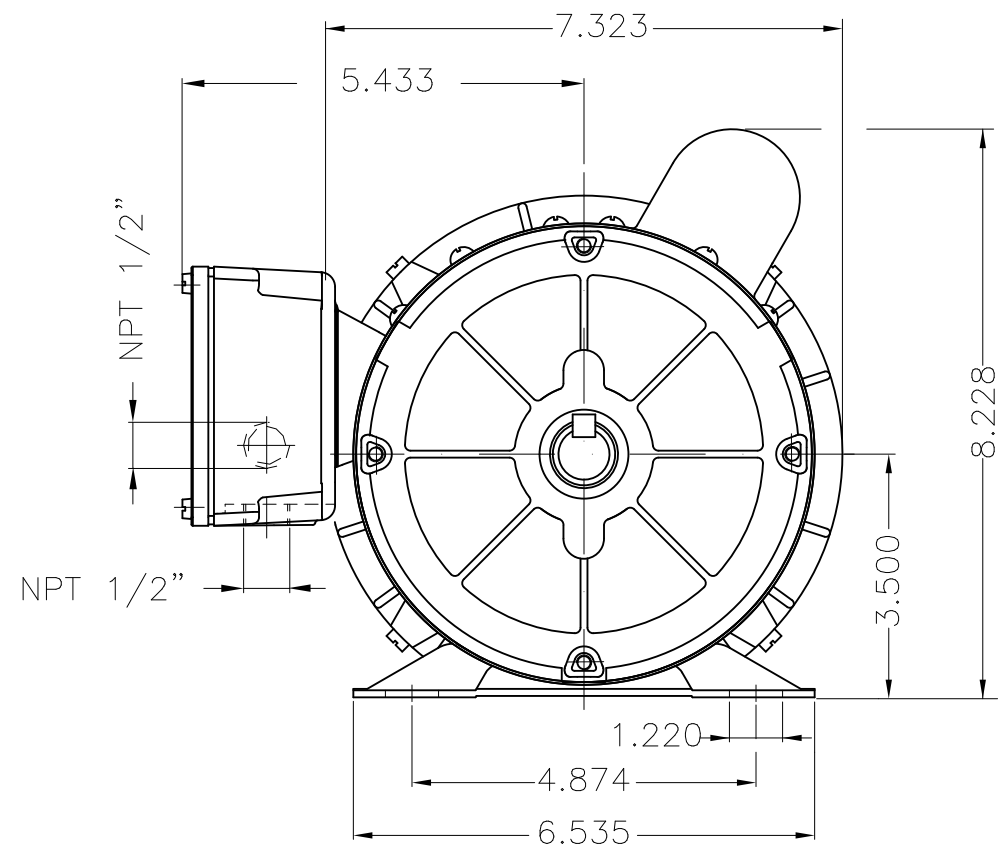
A

B

C

D

E



Mounting B3R(D)									
ECM	LOC	SUMMARY OF MODIFICATIONS			EXECUTED	CHECKED	RELEASED	DATE	VER
EXECUTED	HYBRISUSER	SINGLE PH. MOTOR GENERAL							00
CHECKED		FRAME B56 IP55 TEFC							
RELEASED									
REL. DATE		WMO	Jaragua do Sul	Product Engineering					

1/2 HP 02 Poles 60 Hz

A PREVIEW WDD 00 SHEET 1 / 1



Dimensions in inches XME A3