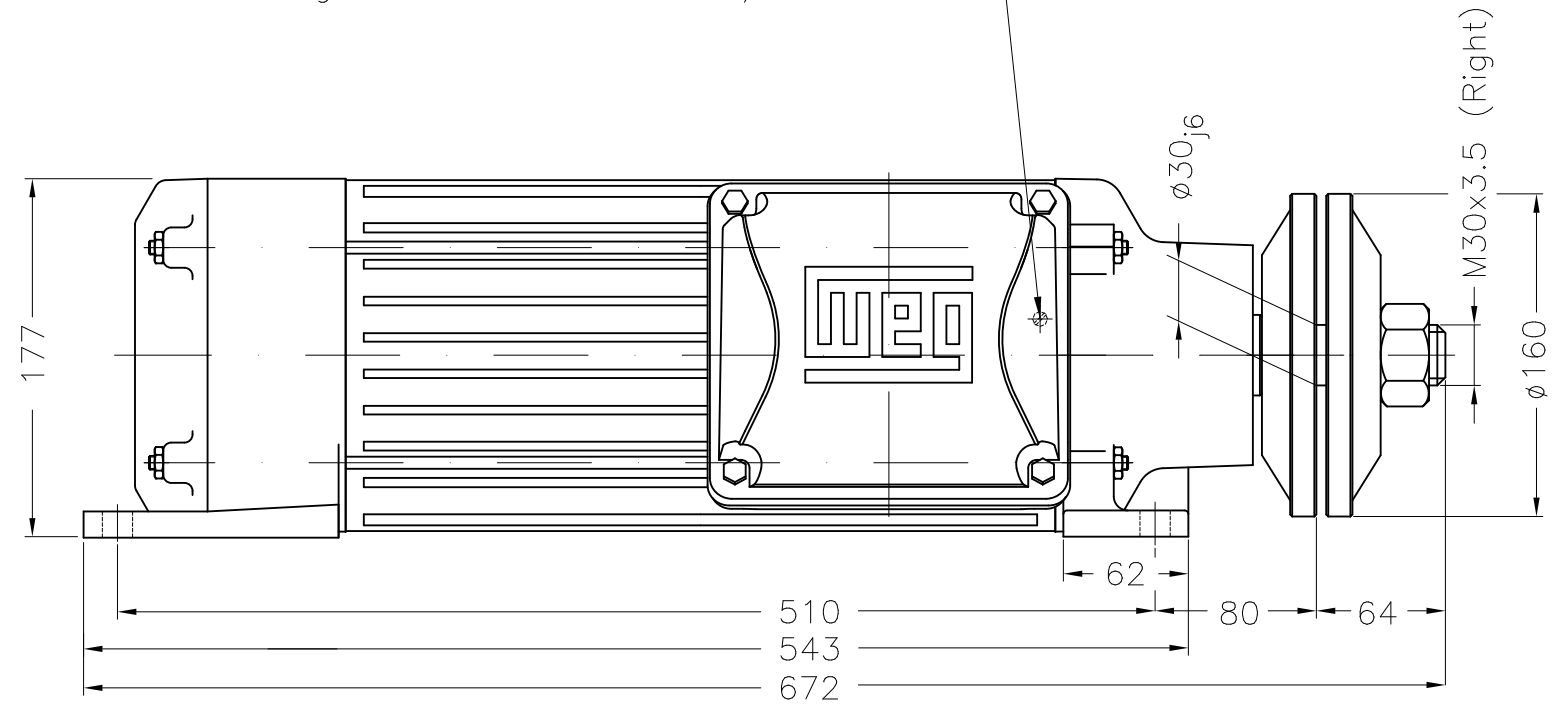


Grounding for leads 2–10 mm² / 14–7 AWG



10 HP 04 Poles 60 Hz

Dimensions in mm

Without switch off thermal protection
Counterclockwise rotation
Color RAL 7022
Painting plan 207A
Mounting B3R(D)

HYBRISUSER						00			
ECM	LOC	SUMMARY OF MODIFICATIONS			EXECUTED	CHECKED	RELEASED	DATE	VER
EXECUTED	HYBRISUSER	THREE PH. MOTOR SAW ARBOR MOTOR FRAME 90L/MS IP54 TEFC			PREVIEW		WDD 00		
CHECKED									
RELEASED		WMO Jaragua do Sul			Product Engineering		SHEET 1 / 1		
REL. DATE									

