

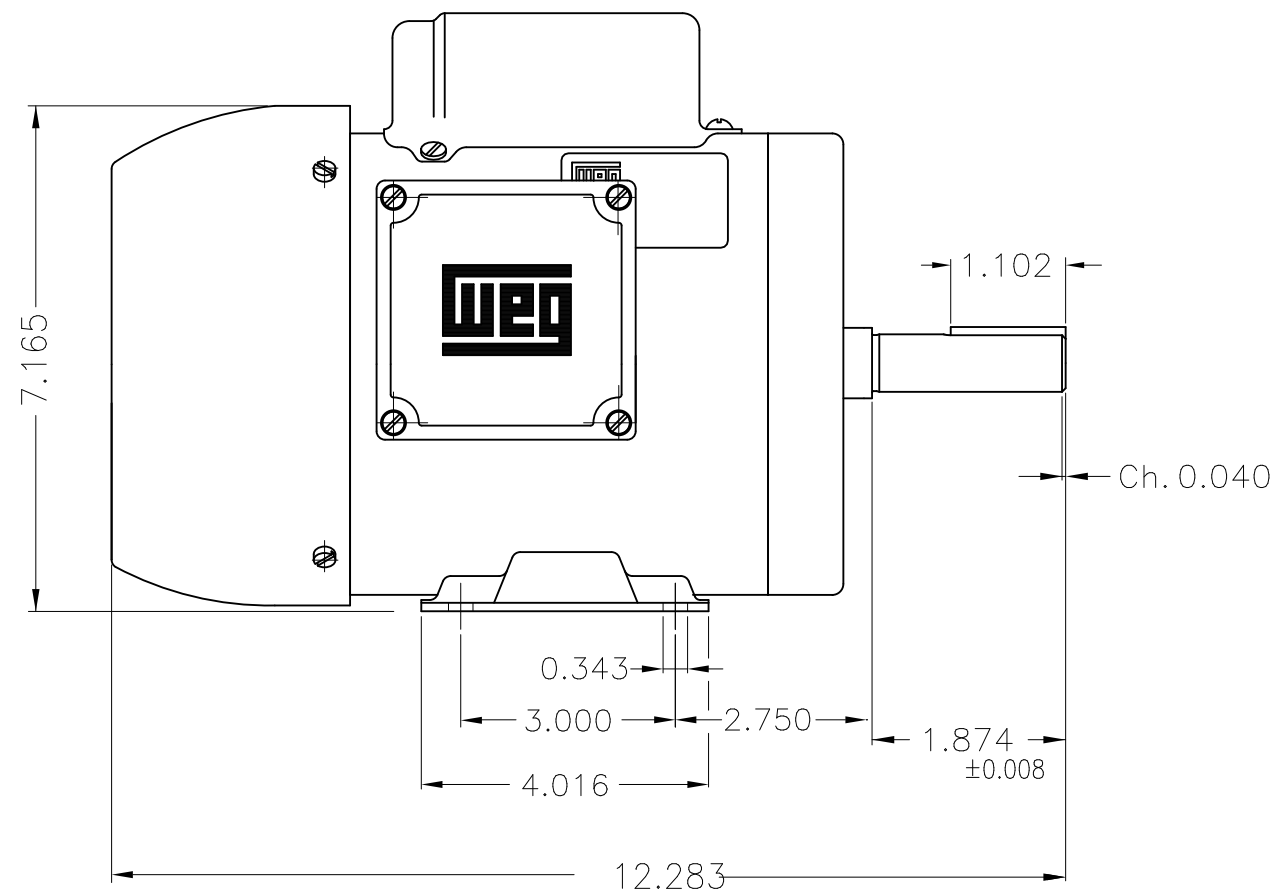
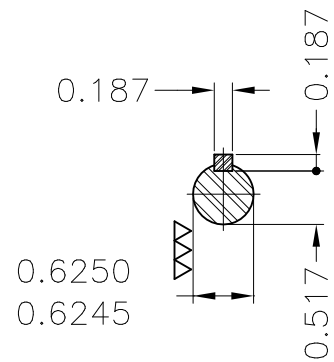
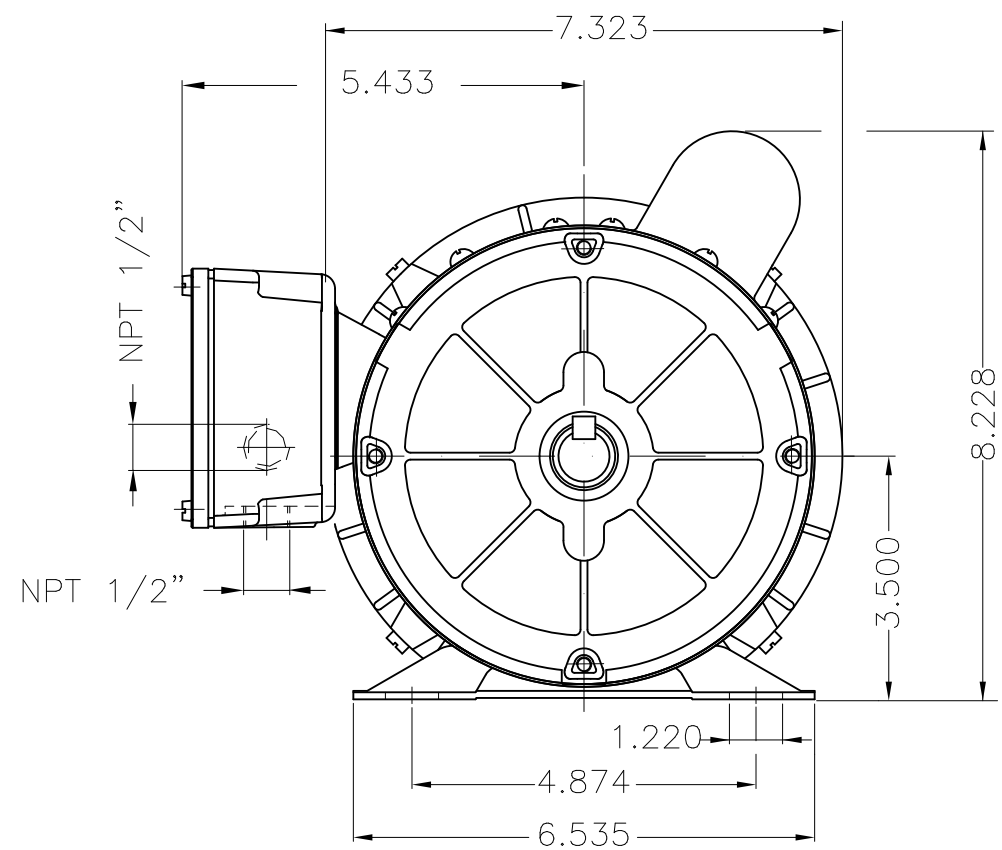
A

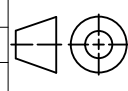

B

C

D

E



Mounting B3R(D)						
ECM	LOC	SUMMARY OF MODIFICATIONS	EXECUTED	CHECKED	RELEASED	DATE
EXECUTED	HYBRISUSER	 SINGLE PH. MOTOR GENERAL FRAME D56 IP55 TEFC				
CHECKED						
RELEASED						
REL. DATE	WMO	Jaragua do Sul	Product Engineering	HYBRISUSER 00 <b>PREVIEW</b> WDD 00 SHEET 1 / 1		

1 HP 02 Poles 60 Hz

A