

1 2 3 4 5 6

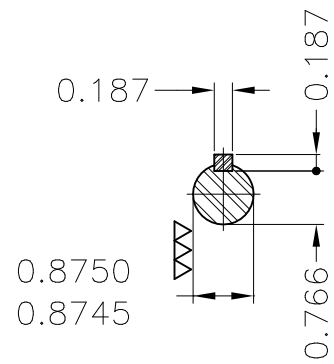
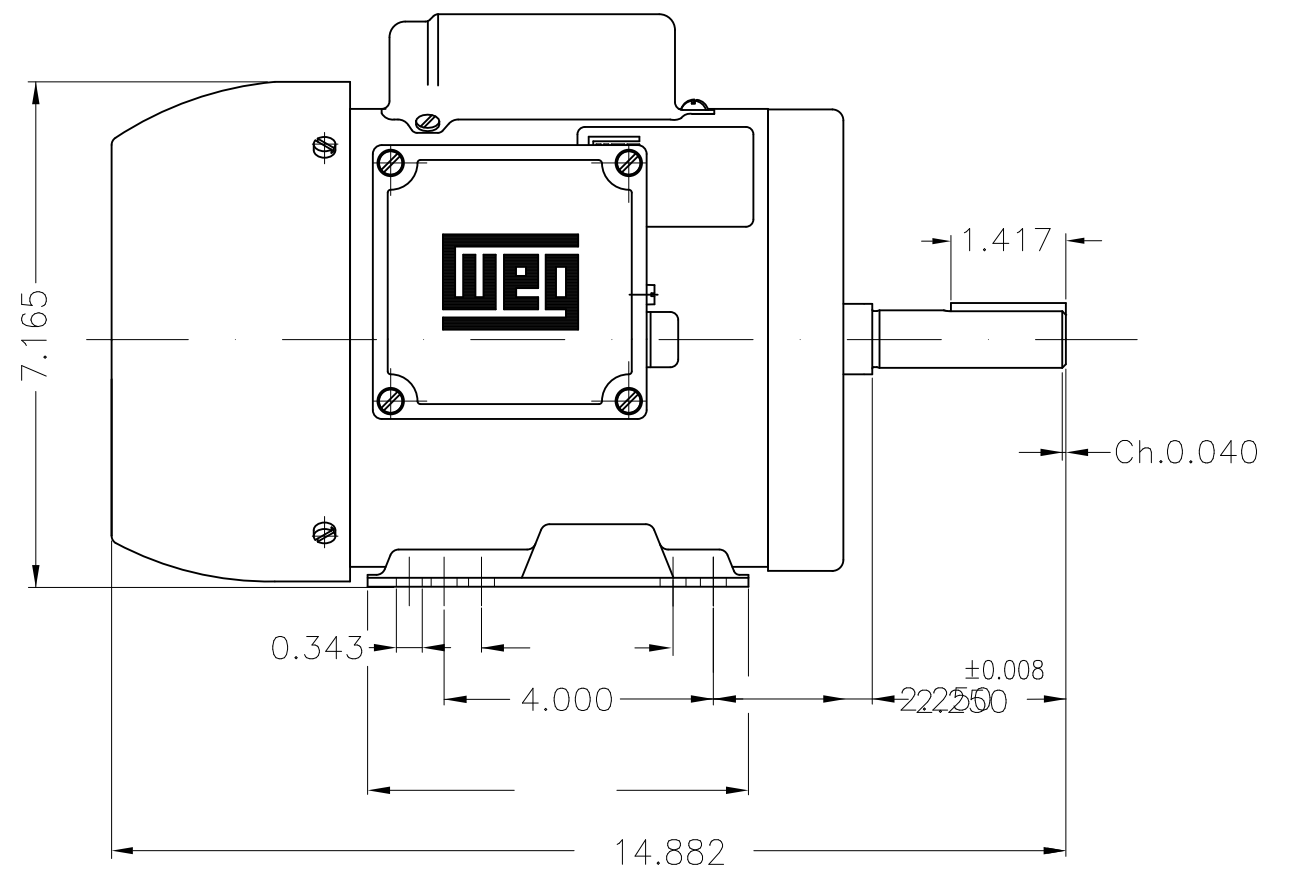
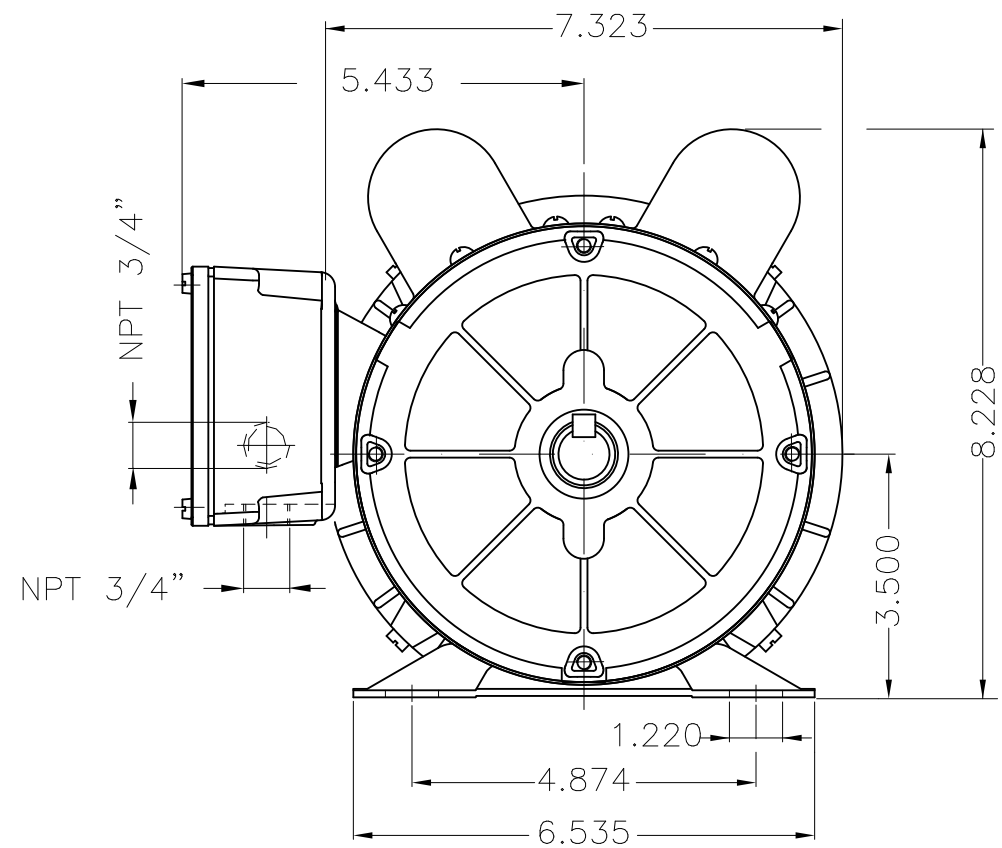
A

B

C

D

E



Mounting B3R(D)									
ECM	LOC	SUMMARY OF MODIFICATIONS			EXECUTED	CHECKED	RELEASED	DATE	VER
EXECUTED	HYBRISUSER	SINGLE PH. MOTOR FARM DUTY							00
CHECKED		FRAME G145T IP55 TEFC							
RELEASED									
REL. DATE		WMO	Jaragua do Sul	Product Engineering					

1.5 HP 04 Poles 60 Hz

A

PREVIEW  
WDD 00



SHEET 1 / 1