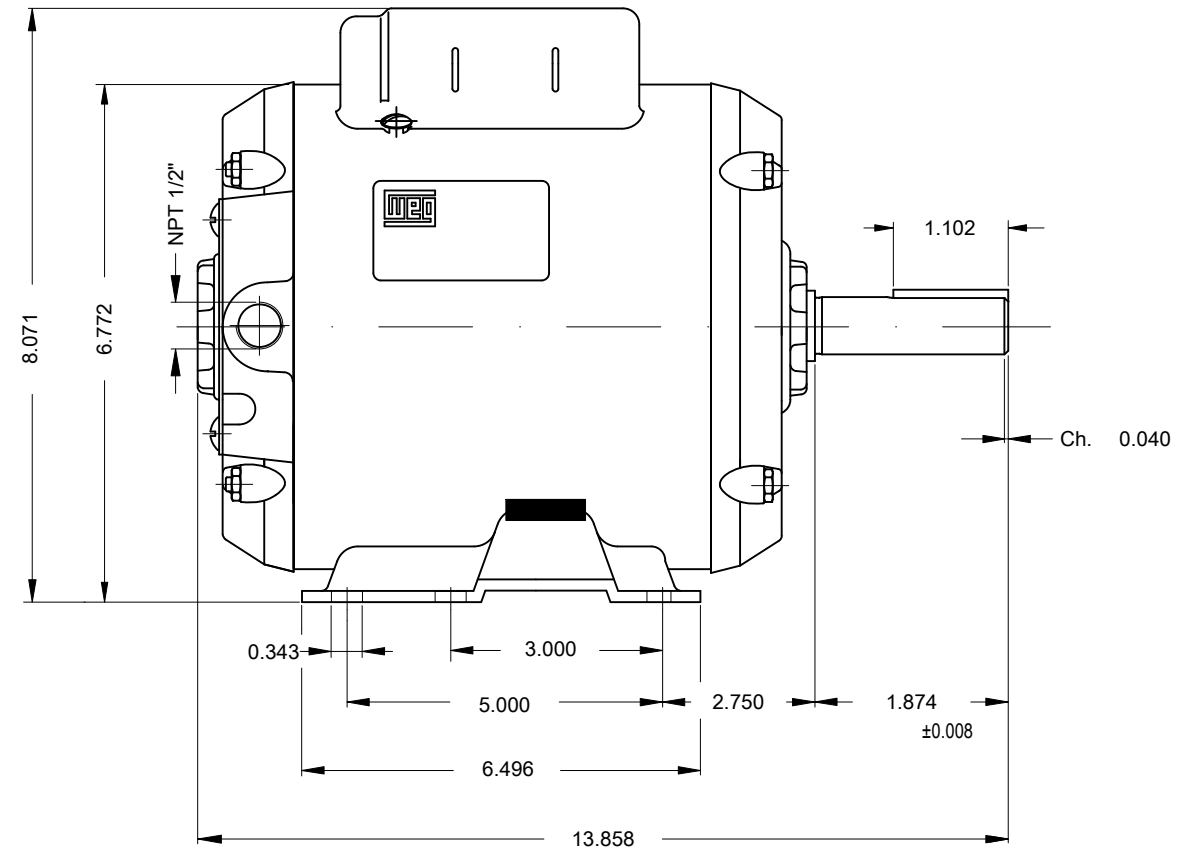
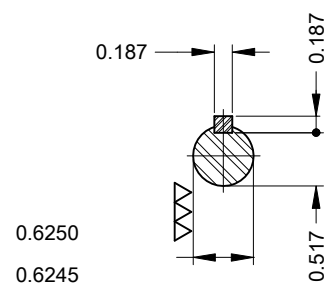
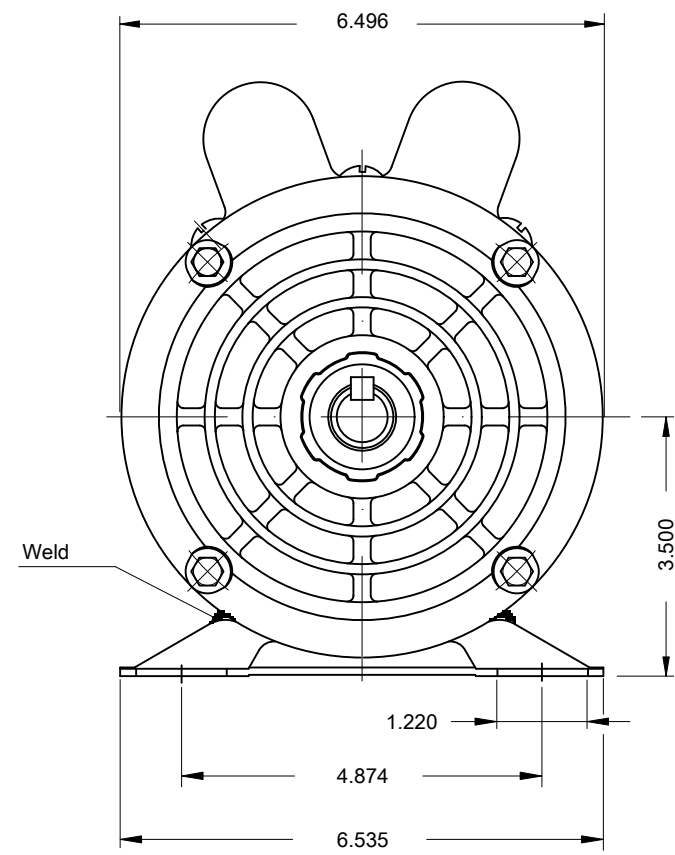
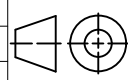


1 2 3 4 5 6

A  
B  
C  
D  
E



|                               |            |   |                |                     |            |         |          |      |     |  |
|-------------------------------|------------|---|----------------|---------------------|------------|---------|----------|------|-----|--|
| Color Munsell N 1 matte black |            |   |                |                     |            |         |          |      |     |  |
| Painting plan 207N            |            |   |                |                     |            |         |          |      |     |  |
| Mounting B3R(D)               |            |   |                |                     |            |         |          |      |     |  |
|                               |            |   |                |                     |            |         |          |      |     |  |
|                               |            |   |                |                     | HYBRISUSER | 00      |          |      |     |  |
| ECM                           | LOC        | SUMMARY OF MODIFICATIONS  |                |                     | EXECUTED   | CHECKED | RELEASED | DATE | VER |  |
| EXECUTED                      | HYBRISUSER |  SINGLE PH. MOTOR COMPRESSOR DUTY<br>FRAME G56H IP21 ODP |                |                     | PREVIEW    |         |          |      |     |  |
| CHECKED                       |            |   |                |                     | WDD        |         | 00       |      |     |  |
| RELEASED                      |            |   |                |                     | SHEET      |         | 1 / 1    |      |     |  |
| REL. DATE                     |            | WMO   | Jaragua do Sul | Product Engineering |            |         |          |      |     |  |

5 HP 02 Poles 60 Hz

A



Dimensions in inches XME A3