

1

2

3

4

5

6

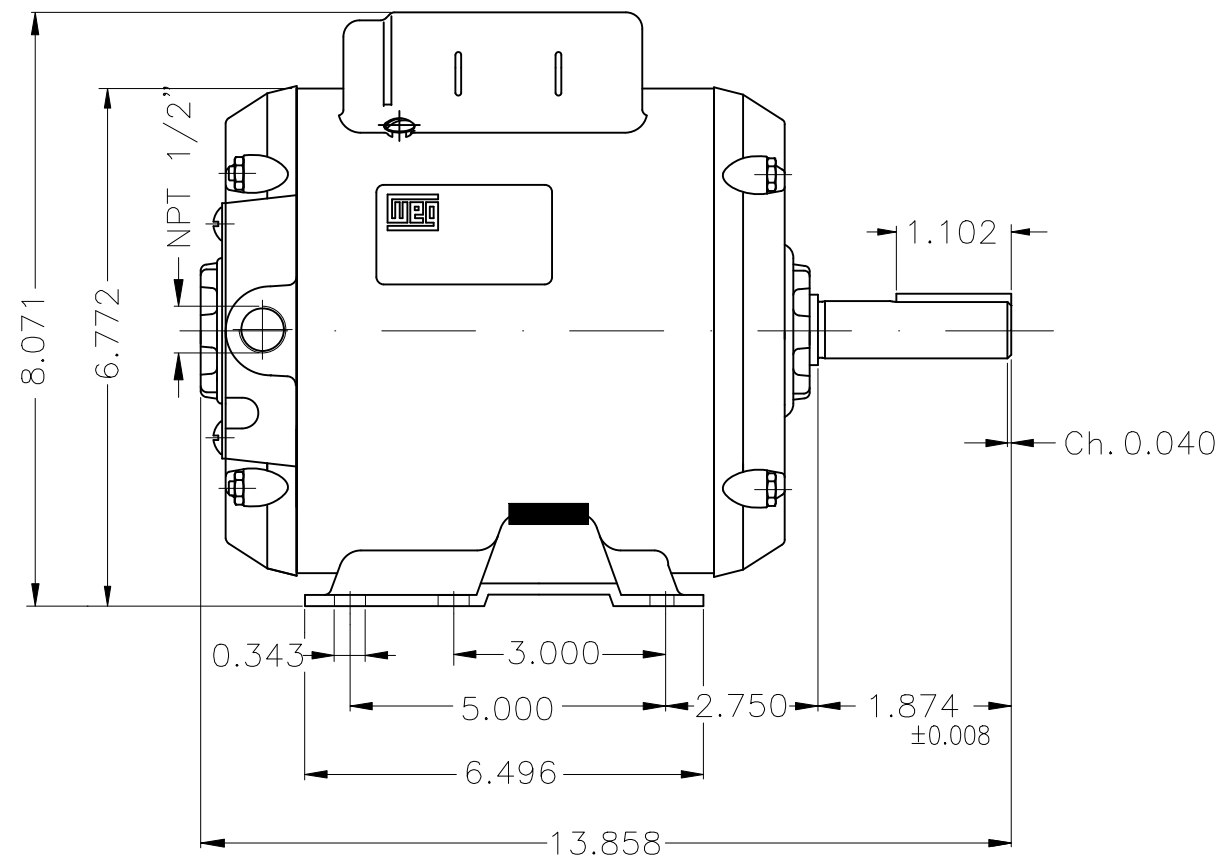
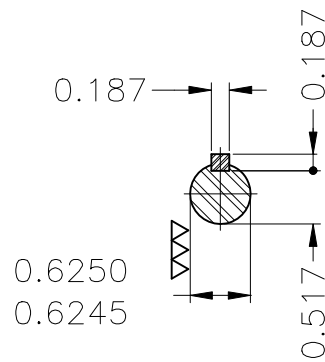
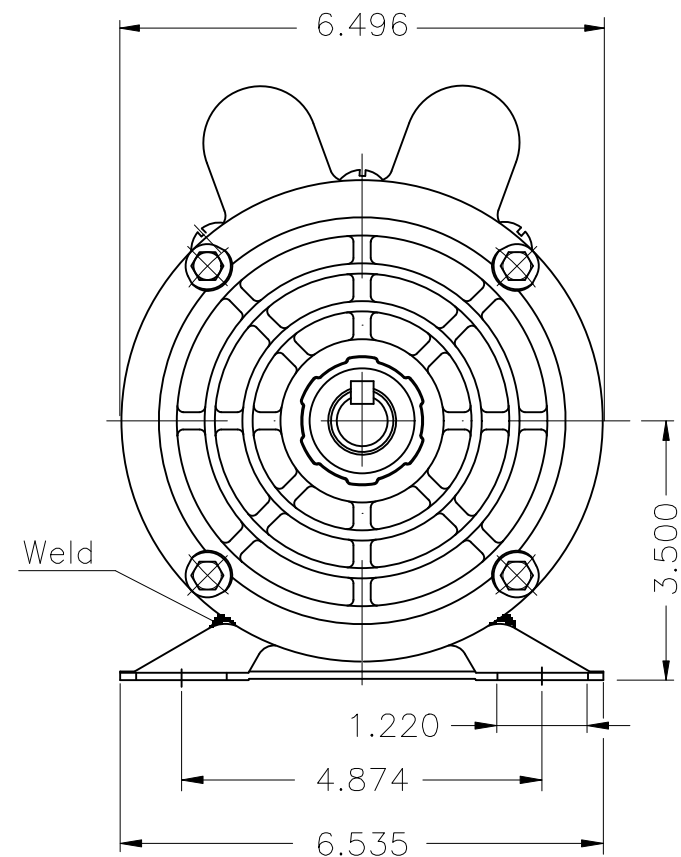
A

B

C

D

E



Dimensions in inches

Color Munsell N 1 matte black
 Painting plan 207N
 Mounting B3R(D)

| ECM | LOC | SUMMARY OF MODIFICATIONS | EXECUTED | CHECKED | RELEASED | DATE | VER |
|-----------|------------|---|---------------------|--------------------------|----------|-------------|-----|
| EXECUTED | HYBRISUSER | SINGLE PH. MOTOR COMPRESSOR DUTY FRAME G56H IP21 ODP | | | | | |
| CHECKED | | | | | | | |
| RELEASED | | | | | | | |
| REL. DATE | | WMO Jaragua do Sul | Product Engineering | PREVIEW WDD 00 | | SHEET 1 / 1 | |



5 HP 02 Poles 60 Hz

A