

DATA SHEET

Three Phase Induction Motor - Squirrel Cage



Customer :				
Product line	: Jet Pump - C type Three-Phase			
Product code :	14513302			
Frame	: W56C			
Insulation class	: F			
Duty cycle	: Cont.(S1)			
Ambient temperature	: -20°C to +40°C			
Altitude	: 1000 m.a.s.l.			
Cooling method	: IC01 - ODP			
Mounting	: W-6			
Rotation ¹	: CCW			
Starting method	: Direct On Line			
Approx. weight ³	: 7.2 kg			
Moment of inertia (J)	: 0.0006 kgm ²			
Output [HP]	0.5			
Poles	2			
Frequency [Hz]	60			
Rated voltage [V]	575			
Rated current [A]	0.703			
L. R. Amperes [A]	5.13			
LRC [A]	7.3x(Code M)			
No load current [A]	0.480			
Rated speed [RPM]	3450			
Slip [%]	4.17			
Rated torque [kgfm]	0.105			
Locked rotor torque [%]	370			
Breakdown torque [%]	400			
Service factor	1.15			
Temperature rise	80 K			
Locked rotor time	43s (cold) 24s (hot)			
Noise level ²	62.0 dB(A)			
Efficiency (%)	25%			
	50%	62.0		
	75%	68.0		
	100%	73.4		
Power Factor	25%			
	50%	0.53		
	75%	0.65		
	100%	0.72		
Bearing type	: <u>Drive end</u> 6203 2RS <u>Non drive end</u> 6202 2RS			
Sealing	: Without Bearing Seal Without Bearing Seal			
Lubrication interval	: - -			
Lubricant amount	: - -			
Lubricant type	: Mobil Polyrex EM			
Foundation loads	Max. traction : 10 kgf Max. compression : 17 kgf			
Notes				
This revision replaces and cancel the previous one, which must be eliminated. (1) Looking the motor from the shaft end. (2) Measured at 1m and with tolerance of +3dB(A). (3) Approximate weight subject to changes after manufacturing process. (4) At 100% of full load.				
These are average values based on tests with sinusoidal power supply, subject to the tolerances stipulated in NEMA MG-1.				
Rev.	Changes Summary	Performed	Checked	Date
Performed by				
Checked by			Page	Revision
Date	17/05/2022		1 / 2	

LOAD PERFORMANCE CURVE

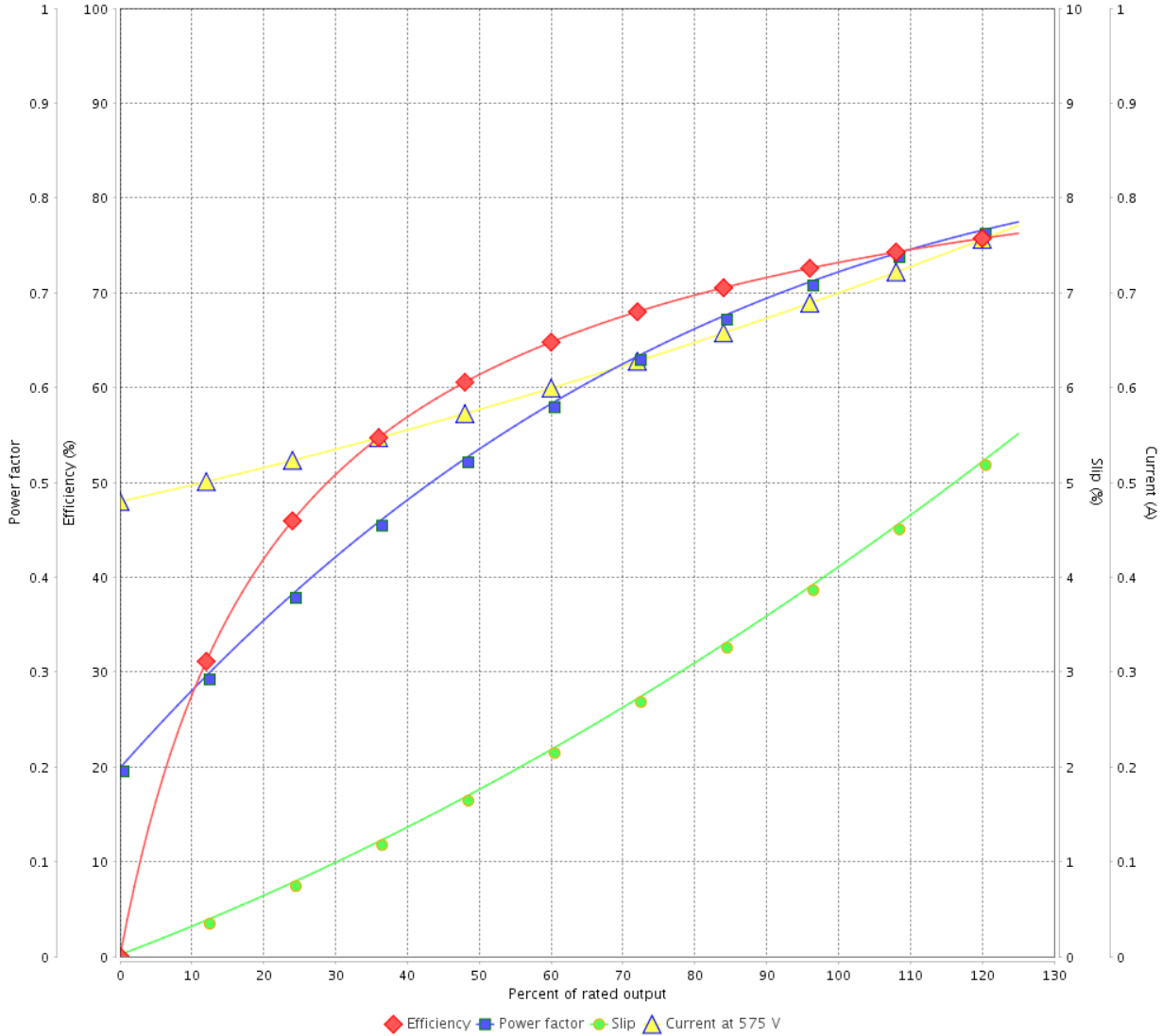
Three Phase Induction Motor - Squirrel Cage



Customer :

Product line : Jet Pump - C type Three-Phase Product code : 14513302

LOAD PERFORMANCE CURVE

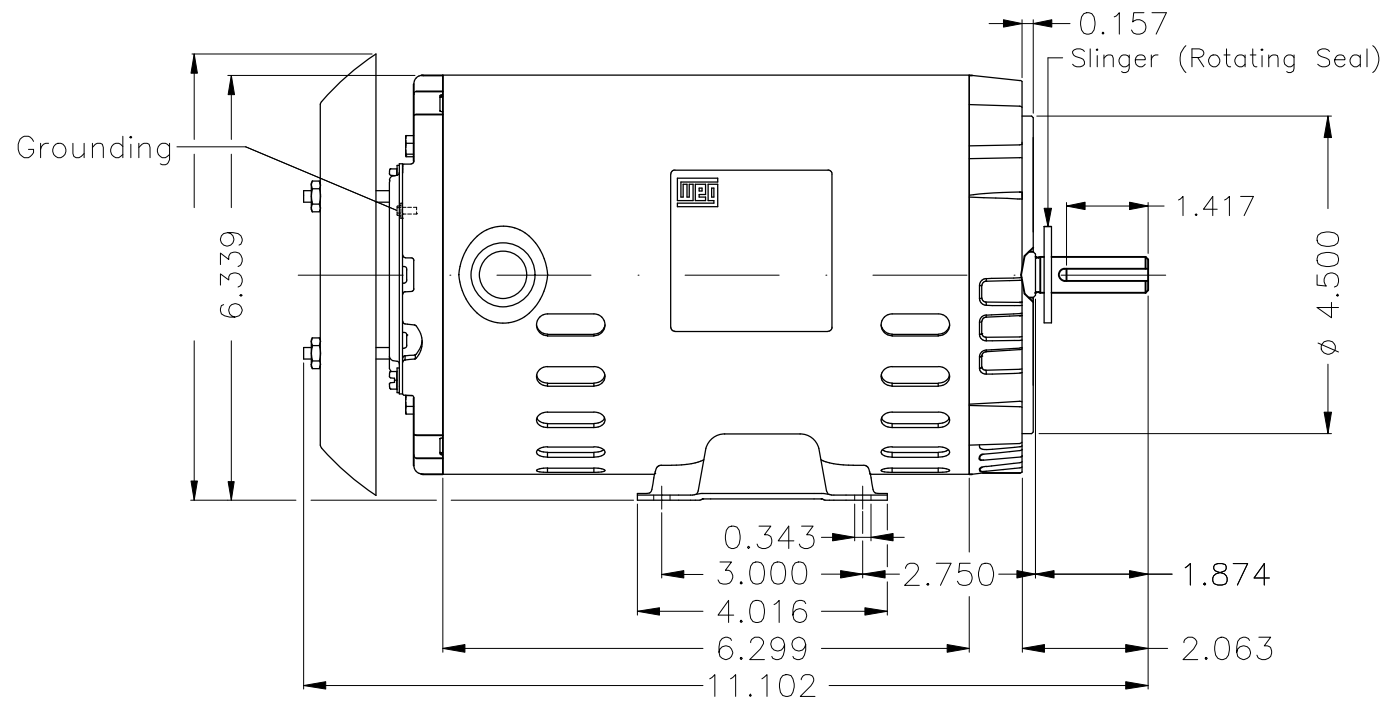
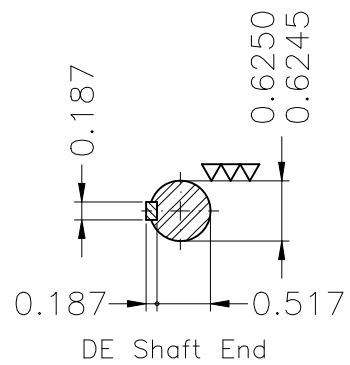
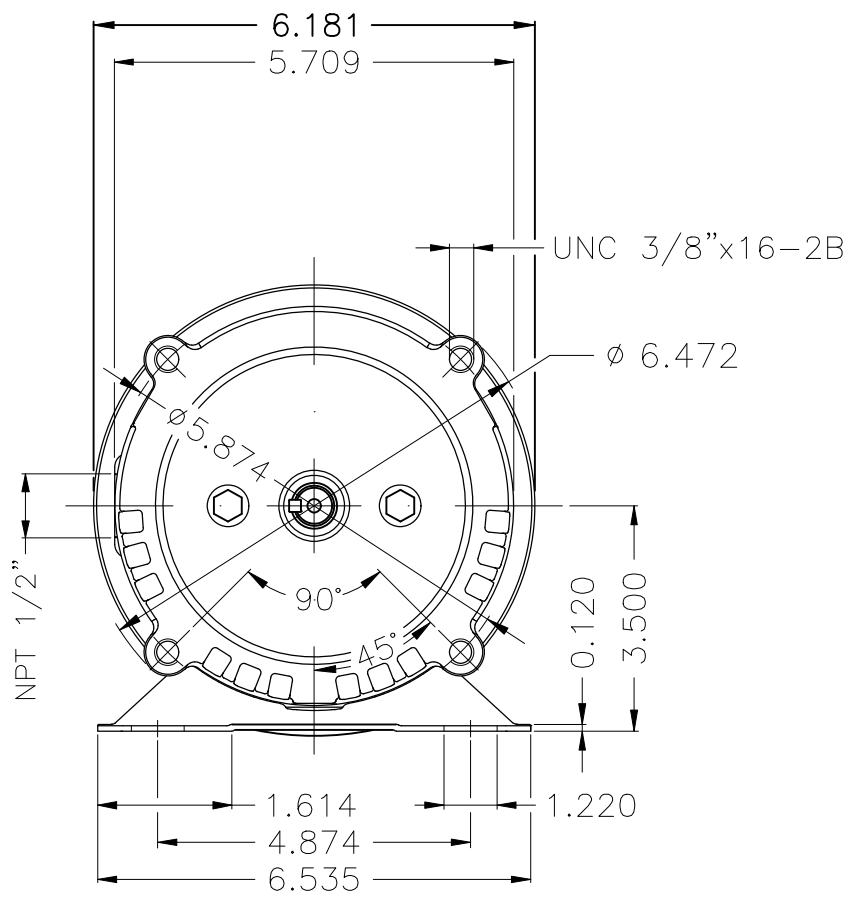


Performance : 575 V 60 Hz 2P

Rated current : 0.703 A
 LRC : 7.3
 Rated torque : 0.105 kgfm
 Locked rotor torque : 370 %
 Breakdown torque : 400 %
 Rated speed : 3450 rpm

Moment of inertia (J) : 0.0006 kgm²
 Duty cycle : Cont.(S1)
 Insulation class : F
 Service factor : 1.15
 Temperature rise : 80 K

Rev.	Changes Summary	Performed	Checked	Date
Performed by			Page 2 / 2	Revision
Checked by				
Date	17/05/2022			



Color Munsell N 1 matte black					
Painting plan 207N					
Mounting W-6/V17R(D)					
				HYBRISUSER	00
ECM	LOC	SUMMARY OF MODIFICATIONS	EXECUTED	CHECKED	RELEASED DATE VER
EXECUTED	HYBRISUSER	THREE PH. MOTOR ROLLED STEEL JET PUMP KEYED PREM. EFF. FRAME W56C IP21 ODP			
CHECKED					
RELEASED					
REL. DATE		WMO Jaragua do Sul	Product Engineering	SHEET 1 / 1	

0.5 HP 02 Poles 60 Hz