

# DATA SHEET



## Three Phase Induction Motor - Squirrel Cage

Customer	:				
Product line	: JP Pump NEMA Premium Efficiency Three-Phase	Product code :	14328080		
Frame	: 254/6JP	Cooling method	: IC411 - TEFC		
Insulation class	: F	Mounting	: F-1		
Duty cycle	: Cont.(S1)	Rotation <sup>1</sup>	: Both (CW and CCW)		
Ambient temperature	: -20°C to +40°C	Starting method	: Direct On Line		
Altitude	: 1000 m.a.s.l.	Approx. weight <sup>3</sup>	: 107 kg		
Protection degree	: IP55	Moment of inertia (J)	: 0.0514 kgm <sup>2</sup>		
Design	: B				
Output [HP]	20				
Poles	2				
Frequency [Hz]	60				
Rated voltage [V]	575				
Rated current [A]	18.2				
L. R. Amperes [A]	120				
LRC [A]	6.6x(Code G)				
No load current [A]	5.50				
Rated speed [RPM]	3515				
Slip [%]	2.36				
Rated torque [kgfm]	4.13				
Locked rotor torque [%]	200				
Breakdown torque [%]	290				
Service factor	1.15				
Temperature rise	80 K				
Locked rotor time	21s (cold) 12s (hot)				
Noise level <sup>2</sup>	75.0 dB(A)				
Efficiency (%)	25%	89.7			
	50%	90.0			
	75%	91.0			
	100%	91.0			
Power Factor	25%	0.55			
	50%	0.81			
	75%	0.88			
	100%	0.91			
Bearing type	: <u>Drive end</u> 6309 Z C3	<u>Non drive end</u> 6208 Z C3	Foundation loads		
Sealing	: V'Ring	Without Bearing Seal	Max. traction	: 135 kgf	
Lubrication interval	: 15797 h	20000 h	Max. compression	: 242 kgf	
Lubricant amount	: 13 g	8 g			
Lubricant type	: Mobil Polyrex EM				
Notes					
<p>This revision replaces and cancel the previous one, which must be eliminated.</p> <p>(1) Looking the motor from the shaft end.</p> <p>(2) Measured at 1m and with tolerance of +3dB(A).</p> <p>(3) Approximate weight subject to changes after manufacturing process.</p> <p>(4) At 100% of full load.</p>			<p>These are average values based on tests with sinusoidal power supply, subject to the tolerances stipulated in NEMA MG-1.</p>		
Rev.	Changes Summary		Performed	Checked	Date
Performed by					
Checked by				Page	Revision
Date	17/05/2022			1 / 2	

# LOAD PERFORMANCE CURVE

Three Phase Induction Motor - Squirrel Cage

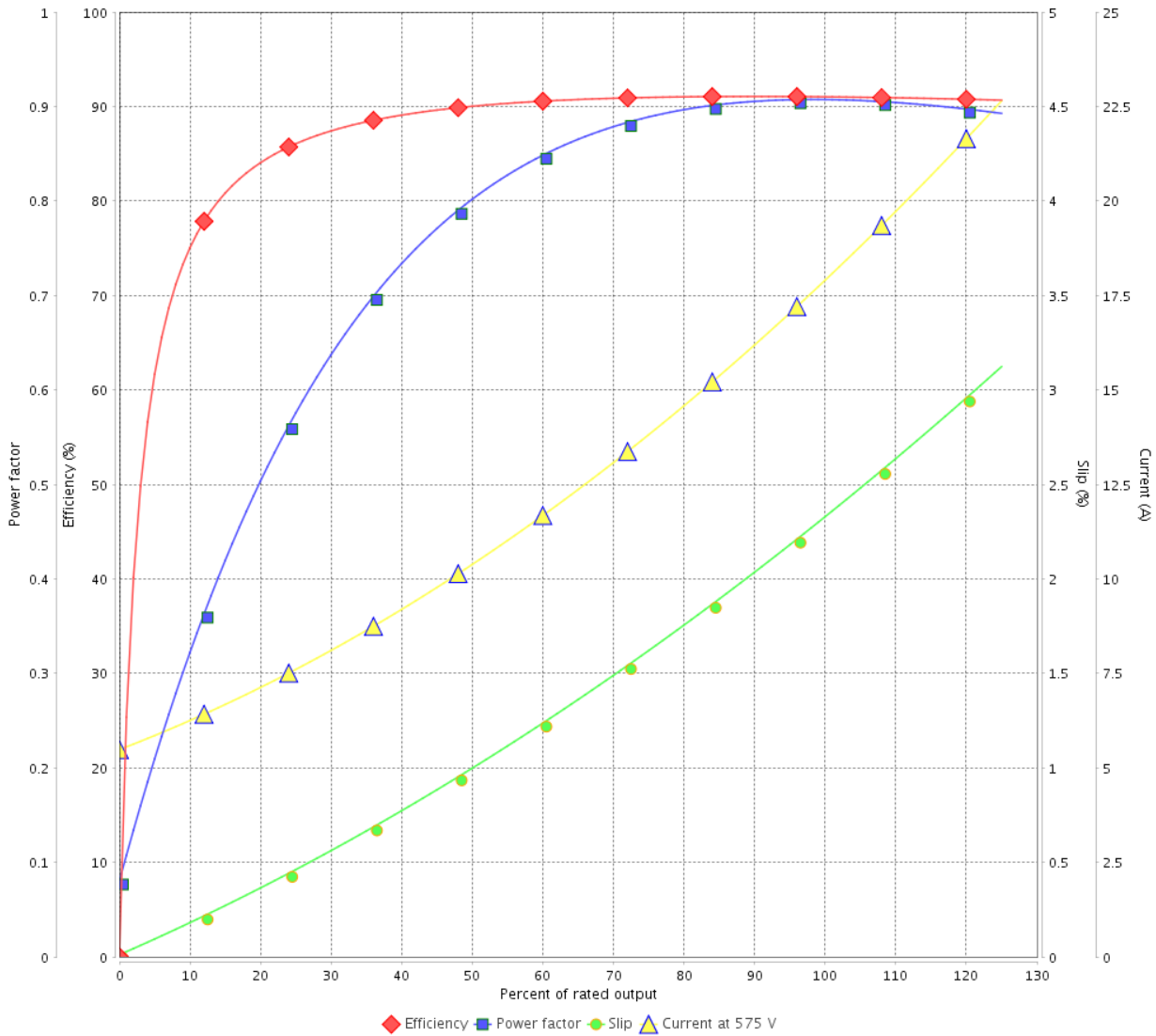


Customer :

Product line : JP Pump NEMA Premium  
Efficiency Three-Phase

Product code : 14328080

LOAD PERFORMANCE CURVE



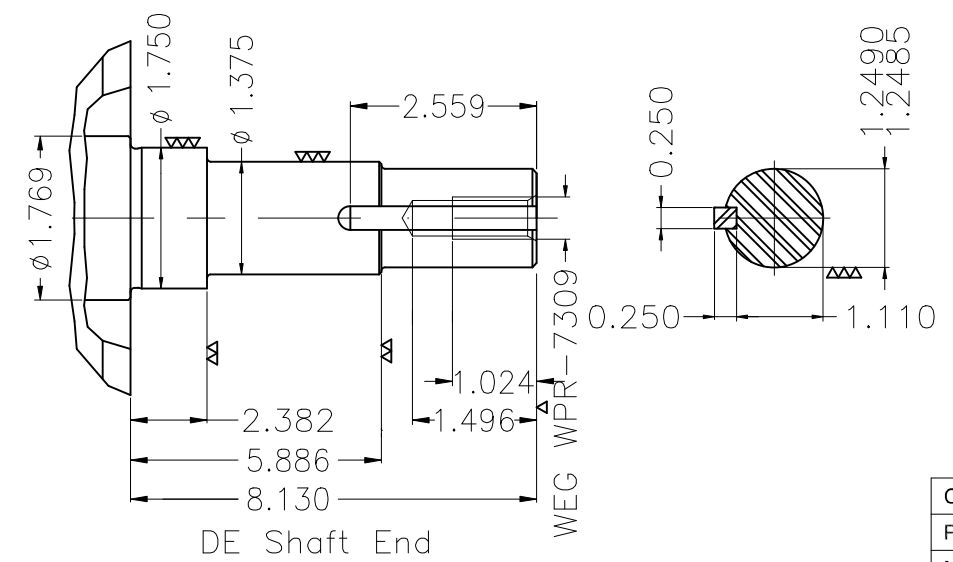
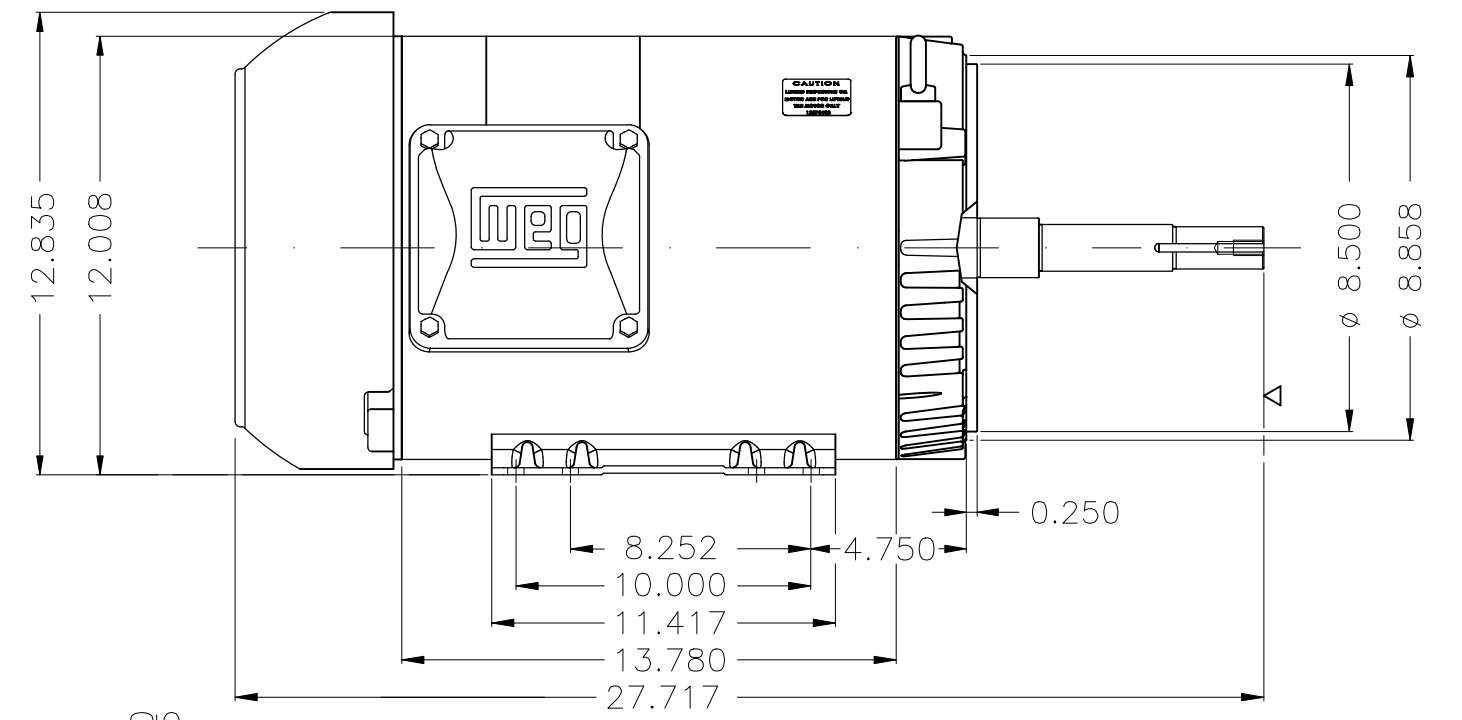
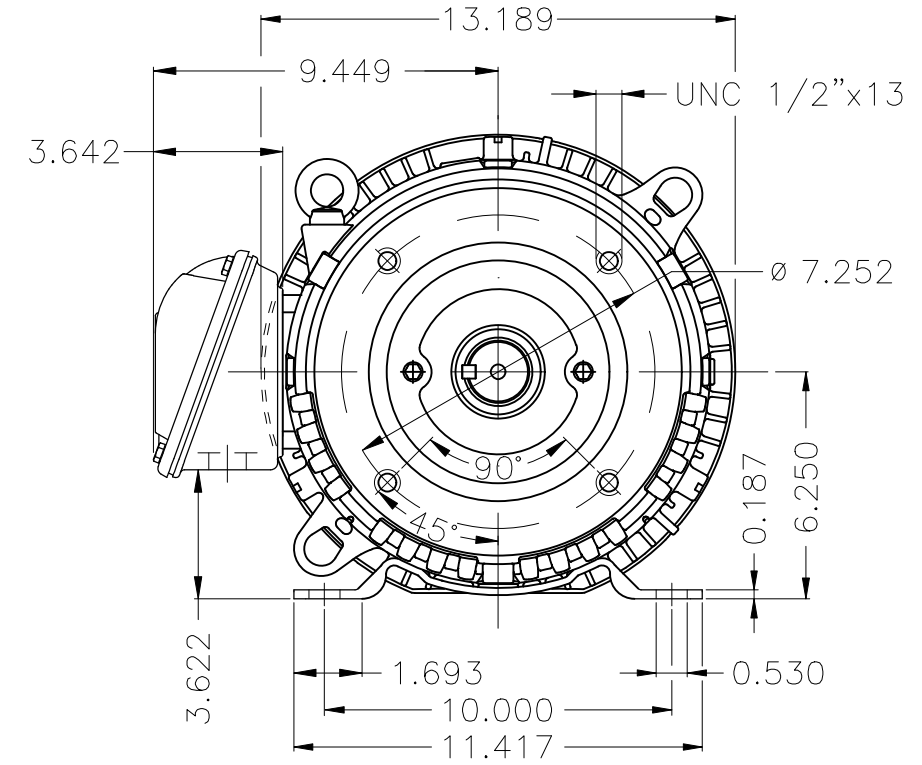
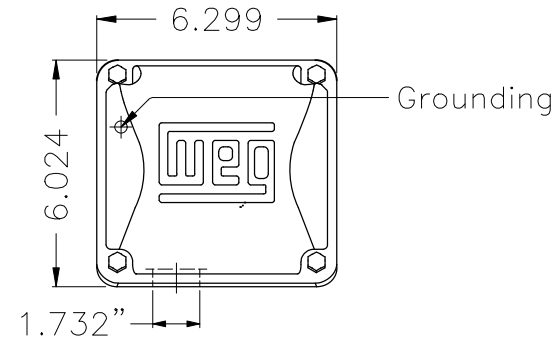
Performance : 575 V 60 Hz 2P

Rated current : 18.2 A  
LRC : 6.6  
Rated torque : 4.13 kgfm  
Locked rotor torque : 200 %  
Breakdown torque : 290 %  
Rated speed : 3515 rpm

Moment of inertia (J) : 0.0514 kgm<sup>2</sup>  
Duty cycle : Cont.(S1)  
Insulation class : F  
Service factor : 1.15  
Temperature rise : 80 K  
Design : B

Rev.	Changes Summary	Performed	Checked	Date
Performed by			Page	Revision
Checked by				
Date				

A  
B  
C  
D  
E



EUNC 1/2"-13 WEG WPR-7309

Color Munsell N 1 matte black												
Painting plan 207N												
Mounting B34D												
								HYBRISUSER		00		
ECM		LOC		SUMMARY OF MODIFICATIONS				EXECUTED	CHECKED	RELEASED	DATE	VER
EXECUTED		HYBRISUSER		THREE PH. MOTOR ROLLED STEEL JP NEMA PREM. EFF.				EXECUTED	CHECKED	RELEASED	DATE	VER
CHECKED				FRAME 254/6JP IP55 TEFC				EXECUTED	CHECKED	RELEASED	DATE	VER
RELEASED								EXECUTED	CHECKED	RELEASED	DATE	VER
REL. DATE		WMO		Jaragua do Sul				Product Engineering	SHEET	1 / 1	PREVIEW	WDD 00

20 HP 02 Poles 60 Hz

