

DATA SHEET

Single Phase Induction Motor - Squirrel Cage



Customer	:			
Product line	: Jet Pump - C type Single-Phase	Product code : 14453251		
Frame	: 56C	Cooling method : IC01 - ODP		
Insulation class	: F	Mounting : F-1		
Duty cycle	: Cont.(S1)	Rotation ¹ : CCW		
Ambient temperature	: -20°C to +40°C	Starting method : Direct On Line		
Altitude	: 1000 m.a.s.l.	Approx. weight ³ : 11.4 kg		
Design	: N	Moment of inertia (J) : 0.0018 kgm ²		
Output [HP]		0.75		
Poles		2		
Frequency [Hz]		60		
Rated voltage [V]		115/208-230		
Rated current [A]		6.80/3.76-3.40		
L. R. Amperes [A]		58.5/32.3-29.2		
LRC [A]		8.6x(Code K)		
No load current [A]		2.40/1.03-1.20		
Rated speed [RPM]		3510		
Slip [%]		2.50		
Rated torque [kgfm]		0.155		
Locked rotor torque [%]		300		
Breakdown torque [%]		300		
Service factor				
Temperature rise		80 K		
Locked rotor time		32s (cold) 18s (hot)		
Noise level ²		58.0 dB(A)		
Efficiency (%)	25%			
	50%	64.0		
	75%	71.0		
	100%	76.2		
Power Factor	25%			
	50%	0.88		
	75%	0.92		
	100%	0.93		
Bearing type	: <u>Drive end</u> 6203 2RS <u>Non drive end</u> 6202 2RS	Foundation loads		
Sealing	: Without Bearing Seal Without Bearing Seal	Max. traction : 9 kgf		
Lubrication interval	: - -	Max. compression : 20 kgf		
Lubricant amount	: - -			
Lubricant type	: Mobil Polyrex EM			
Notes				
<p>This revision replaces and cancel the previous one, which must be eliminated.</p> <p>(1) Looking the motor from the shaft end.</p> <p>(2) Measured at 1m and with tolerance of +3dB(A).</p> <p>(3) Approximate weight subject to changes after manufacturing process.</p> <p>(4) At 100% of full load.</p>		<p>These are average values based on tests with sinusoidal power supply, subject to the tolerances stipulated in NEMA MG-1.</p>		
Rev.	Changes Summary	Performed	Checked	Date
Performed by				
Checked by			Page	Revision
Date	17/05/2022		1 / 2	

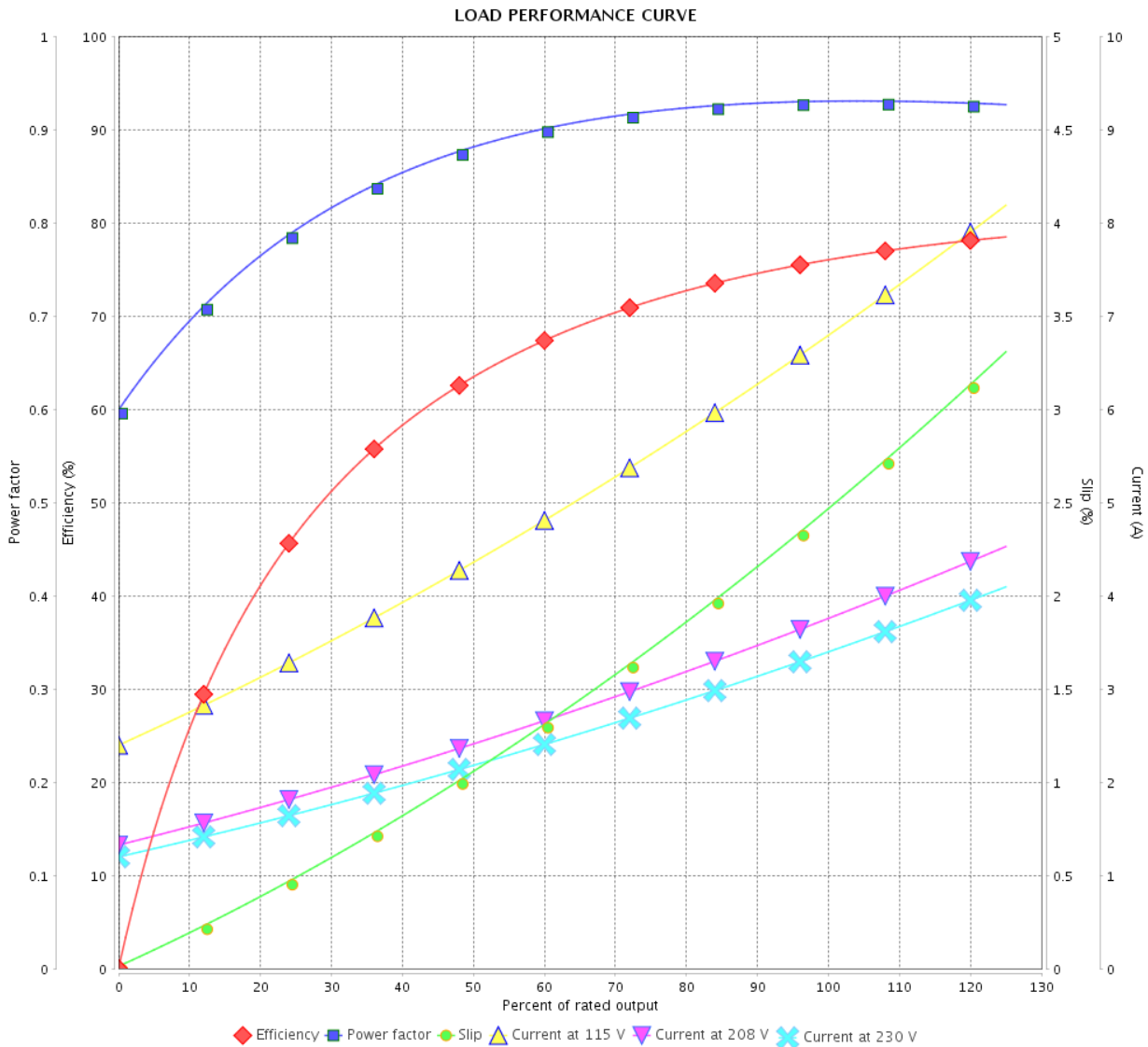
LOAD PERFORMANCE CURVE

Single Phase Induction Motor - Squirrel Cage



Customer :

Product line : Jet Pump - C type Single-Phase Product code : 14453251



Performance : 115/208-230 V 60 Hz 2P

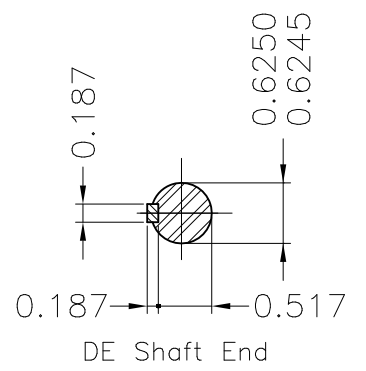
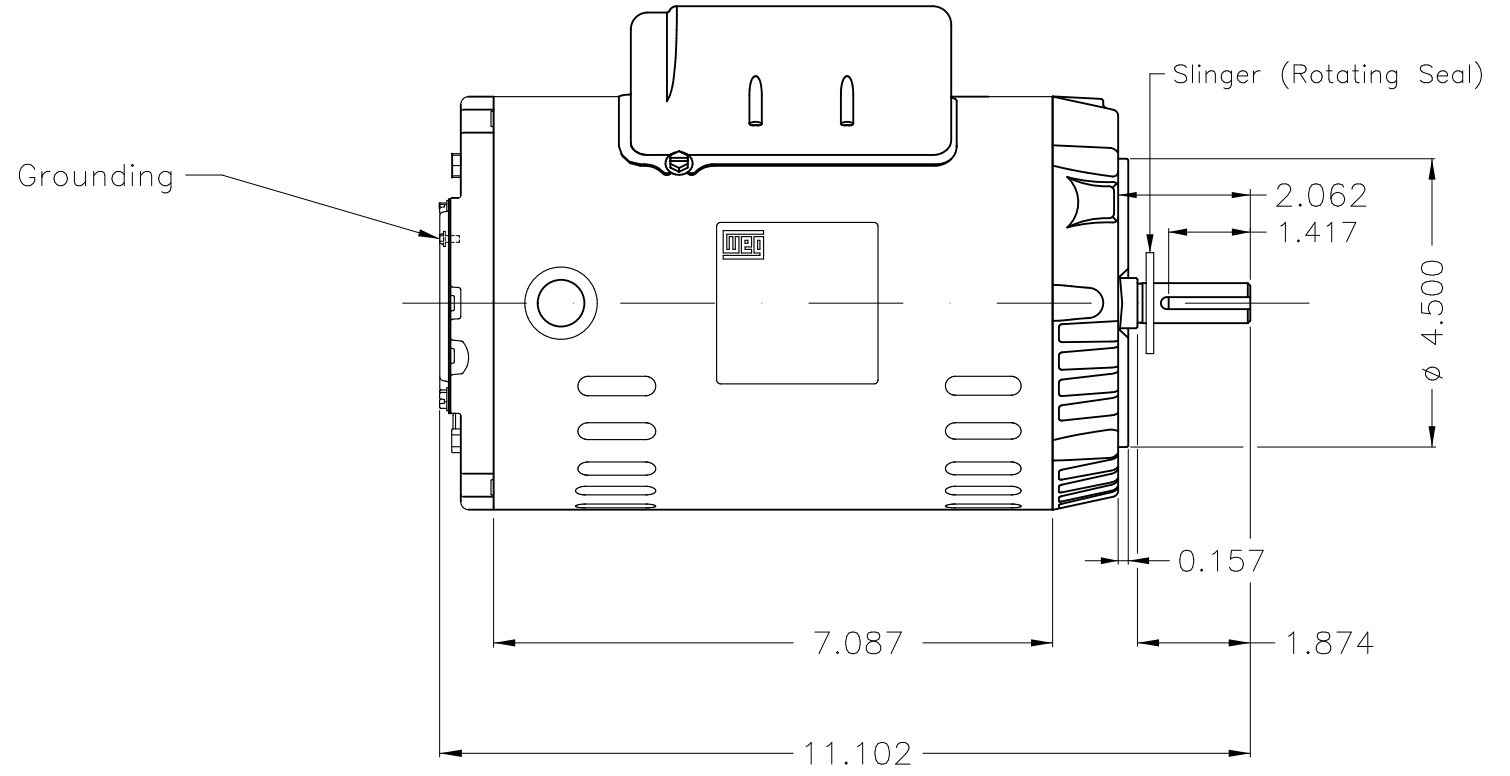
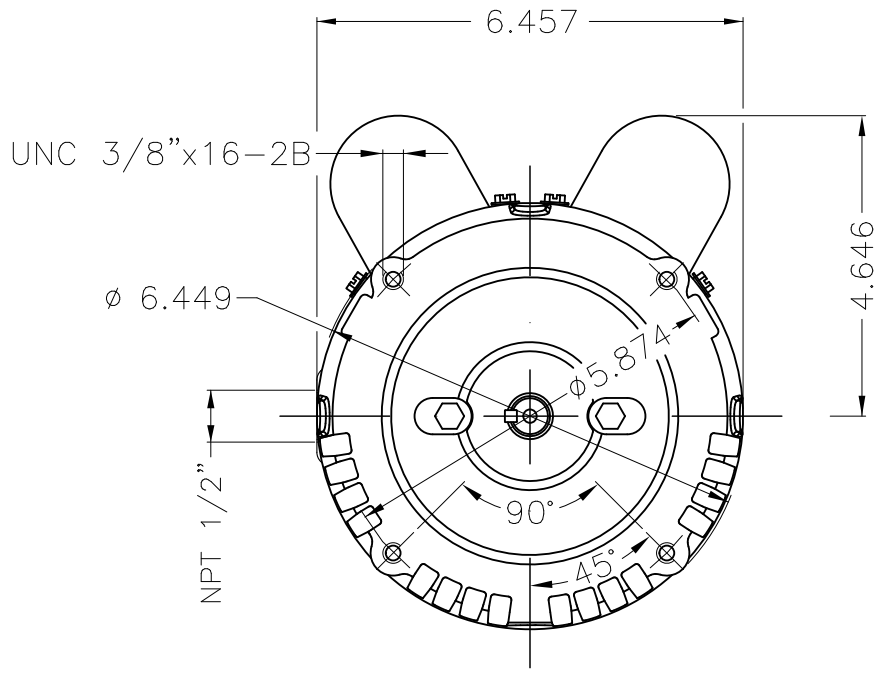
Rated current : 6.80/3.76-3.40 A
 LRC : 8.6
 Rated torque : 0.155 kgfm
 Locked rotor torque : 300 %
 Breakdown torque : 300 %
 Rated speed : 3510 rpm

Moment of inertia (J) : 0.0018 kgm²
 Duty cycle : Cont.(S1)
 Insulation class : F
 Service factor :
 Temperature rise : 80 K
 Design : N

Rev.	Changes Summary	Performed	Checked	Date
Performed by			Page 2 / 2	Revision
Checked by				
Date	17/05/2022			

1 2 3 4 5 6

A
B
C
D
E



Dimensions in inches

Color Munsell N 1 matte black						
Painting plan 207N						
Mounting F-1/B14R(D)						
					HYBRISUSER	00
ECM	LOC	SUMMARY OF MODIFICATIONS			EXECUTED	CHECKED
EXECUTED	HYBRISUSER	SINGLE PH. MOTOR ROLLED STEEL JET PUMP KEYED PREM 555			RELEASED	DATE
CHECKED		FRAME 56C IP21 ODP				VER
RELEASED						
REL. DATE		WMO	Jaragua do Sul	Product Engineering	PREVIEW	
				WDD	00	
				SHEET	1 / 1	

0.75 HP 02 Poles 60 Hz

A

