

DATA SHEET

Single Phase Induction Motor - Squirrel Cage



Customer	:			
Product line	: Single-Phase	Product code : 14423132		
Frame	: 56	Cooling method : IC01 - ODP		
Insulation class	: F	Mounting : F-1		
Duty cycle	: Cont.(S1)	Rotation ¹ : Both (CW and CCW)		
Ambient temperature	: -20°C to +40°C	Starting method : Direct On Line		
Altitude	: 1000 m.a.s.l.	Approx. weight ² : 16.3 kg		
Design	: L	Moment of inertia (J) : 0.0027 kgm ²		
Output [HP]		1.5		
Poles		2		
Frequency [Hz]		60		
Rated voltage [V]		115/208-230		
Rated current [A]		13.3/6.90-6.65		
L. R. Amperes [A]		102/53.1-51.2		
LRC [A]		7.7x(Code J)		
No load current [A]		3.20/1.38-1.60		
Rated speed [RPM]		3500		
Slip [%]		2.78		
Rated torque [kgfm]		0.311		
Locked rotor torque [%]		260		
Breakdown torque [%]		270		
Service factor				
Temperature rise		80 K		
Locked rotor time		18s (cold) 10s (hot)		
Noise level ²		58.0 dB(A)		
Efficiency (%)	25%			
	50%	73.0		
	75%	79.0		
	100%	81.5		
Power Factor	25%			
	50%	0.88		
	75%	0.89		
	100%	0.89		
Bearing type	: <u>Drive end</u> 6204 ZZ <u>Non drive end</u> 6202 ZZ	Foundation loads		
Sealing	: Without Without Bearing Seal Bearing Seal	Max. traction : 18 kgf Max. compression : 35 kgf		
Lubrication interval	: - -			
Lubricant amount	: - -			
Lubricant type	: Mobil Polyrex EM			
Notes				
<p>This revision replaces and cancel the previous one, which must be eliminated.</p> <p>(1) Looking the motor from the shaft end. (2) Measured at 1m and with tolerance of +3dB(A). (3) Approximate weight subject to changes after manufacturing process. (4) At 100% of full load.</p>		<p>These are average values based on tests with sinusoidal power supply, subject to the tolerances stipulated in NEMA MG-1.</p>		
Rev.	Changes Summary	Performed	Checked	Date
Performed by				
Checked by			Page	Revision
Date	17/05/2022		1 / 2	

LOAD PERFORMANCE CURVE

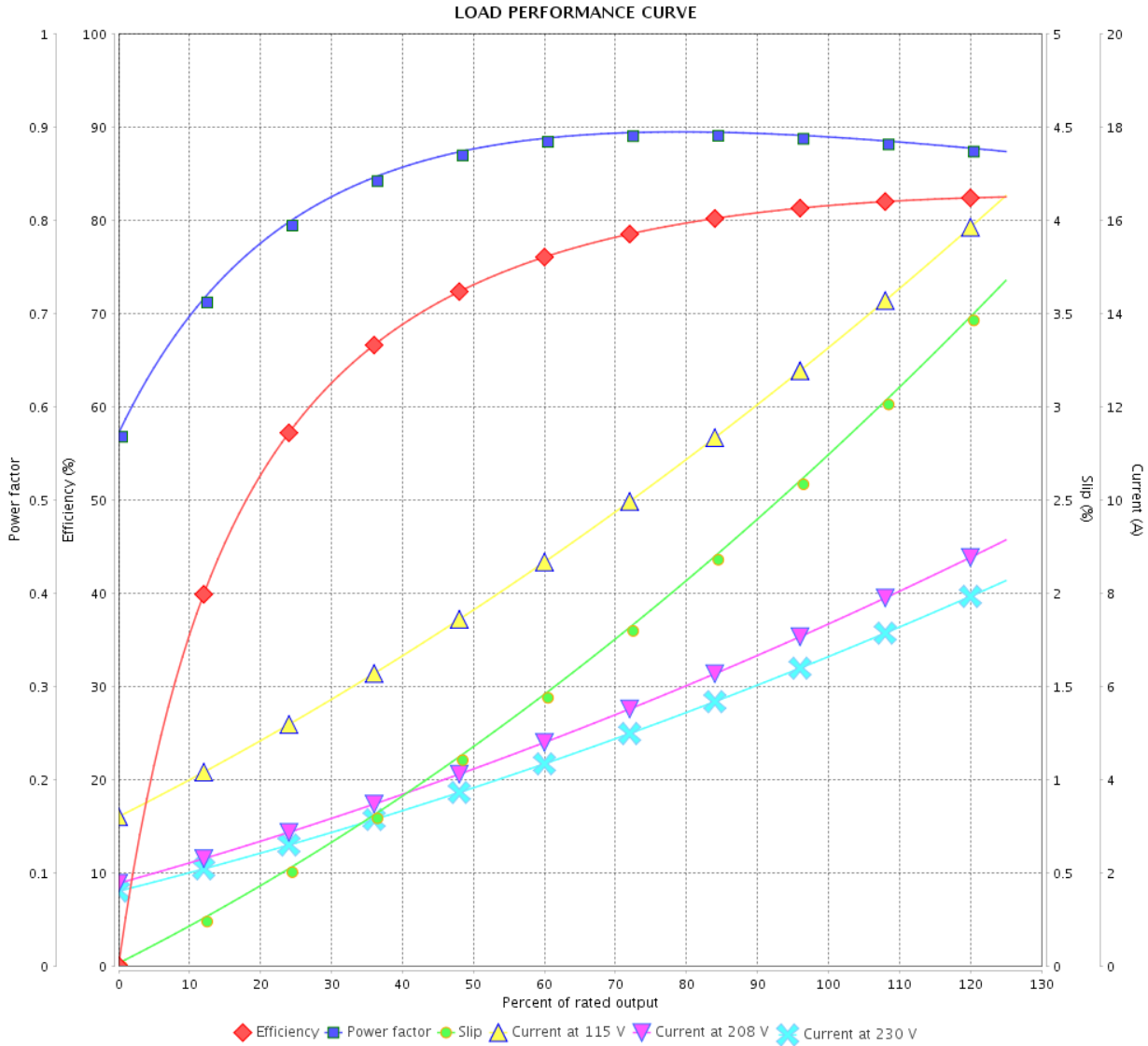
Single Phase Induction Motor - Squirrel Cage



Customer :

Product line : Single-Phase

Product code : 14423132



Performance : 115/208-230 V 60 Hz 2P

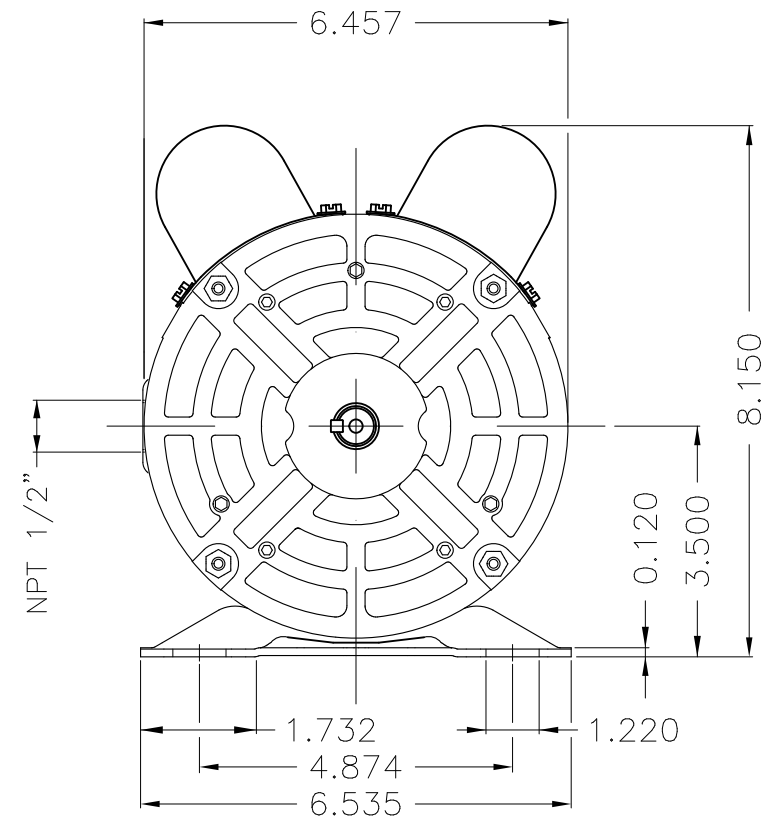
Rated current : 13.3/6.90-6.65 A
 LRC : 7.7
 Rated torque : 0.311 kgfm
 Locked rotor torque : 260 %
 Breakdown torque : 270 %
 Rated speed : 3500 rpm

Moment of inertia (J) : 0.0027 kgm²
 Duty cycle : Cont.(S1)
 Insulation class : F
 Service factor :
 Temperature rise : 80 K
 Design : L

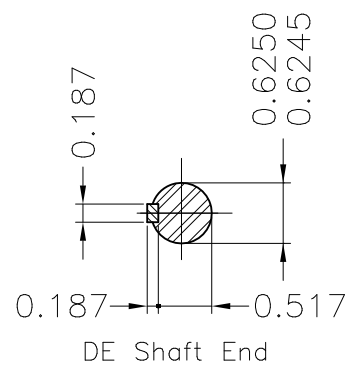
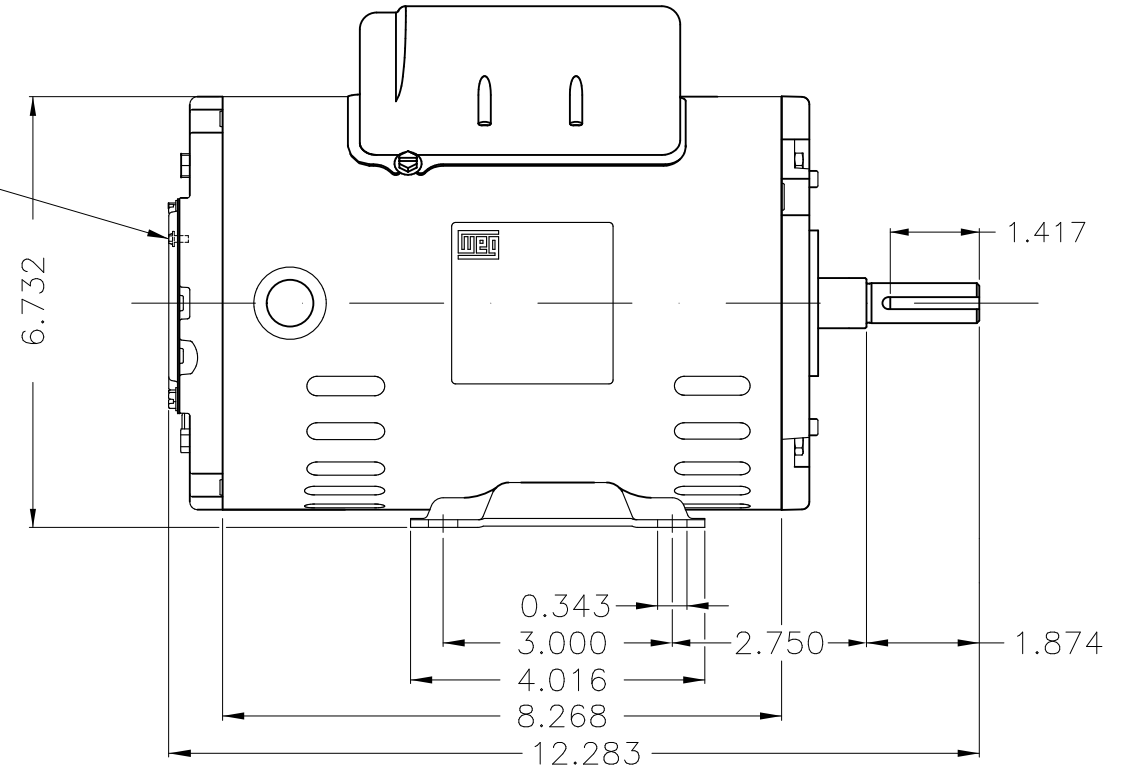
Rev.	Changes Summary	Performed	Checked	Date
Performed by			Page	Revision
Checked by				
Date				

1 2 3 4 5 6

A
B
C
D
E



Grounding



Dimensions in inches

Color Munsell N 1 matte black									
Painting plan 207N									
Mounting F-1/B3R(D)									
						00			
						00			
ECM	LOC	SUMMARY OF MODIFICATIONS			EXECUTED	CHECKED	RELEASED	DATE	VER
EXECUTED	HYBRISUSER	SINGLE PH. MOTOR ROLLED STEEL PREM. EFF.			PREVIEW				
CHECKED		FRAME 56 IP21 ODP			WDD		00		
RELEASED					SHEET		1 / 1		
REL. DATE		WMO	Jaragua do Sul	Product Engineering					

1.5 HP 02 Poles 60 Hz

A



XME A3