

DATA SHEET

Three Phase Induction Motor - Squirrel Cage



Customer : V.J. PAMENSKY CANADA INC.

Product line : W01 - TEFC - Premium Efficiency (DOE) Jet Pump - Forma J Derating Product code : 19188697

Frame	: 56J	Cooling method	: IC411 - TEFC
Insulation class	: F	Mounting	: F-1/B34R(D)
Duty cycle	: S1	Rotation ¹	: Counter clockwise
Ambient temperature	: -20 °C to +40 °C	Starting method	: Direct On Line
Altitude	: 3280 ft	Approx. weight ³	: 40.1 lb
Protection degree	: IP55	Moment of inertia (J)	: 0.1281 sq.ft.lb
Design	: B		

	2 HP (1.5 kW)	1.5 HP (1.1 kW)	1.5 HP (1.1 kW)
Output	2 HP (1.5 kW)	1.5 HP (1.1 kW)	1.5 HP (1.1 kW)
Poles	2	2	2
Frequency	60 Hz	50 Hz	50 Hz
Rated voltage	230/460 V	190/380 V	220/415 V
Rated current	4.94/2.47 A	4.50/2.25 A	4.06/2.15 A
L. R. Amperes	48.9/24.5 A	35.1/17.6 A	36.1/19.1 A
LRC	9.9	7.8	8.9
No load current	2.12/1.06 A	1.76/0.880 A	1.91/1.01 A
Rated speed	3520 rpm	2921 rpm	2935 rpm
Slip	2.22 %	2.63 %	2.17 %
Rated torque	2.94 ft.lb	2.66 ft.lb	2.65 ft.lb
Locked rotor torque	250 %	300 %	370 %
Pull up torque	210 %	255 %	315 %
Breakdown torque	300 %	370 %	440 %
Service factor	1.15	1.15	1.15
Temperature rise	80 K	80 K	80 K
Noise level ²	68.0 dB(A)	65.0 dB(A)	65.0 dB(A)
Locked rotor time (hot)	13 s	28 s	24 s
Locked rotor time (cold)	23 s	50 s	43 s
Efficiency (%)	50%	82.5	79.9
	75%	85.5	82.2
	100%	85.5	82.7
Power Factor	50%	0.73	0.75
	75%	0.83	0.85
	100%	0.89	0.90

Losses at normative operating points (speed;torque), in percentage of rated output power

Losses (%)	P1(0,9;1,0)			P2(0,5;1,0)			P3(0,25;1,0)			P4(0,9;0,5)			P5(0,5;0,5)			P6(0,5;0,25)			P7(0,25;0,25)		
	Drive end	Non drive end	Foundation loads	Drive end	Non drive end	Foundation loads	Drive end	Non drive end	Foundation loads	Drive end	Non drive end	Foundation loads	Drive end	Non drive end	Foundation loads	Drive end	Non drive end	Foundation loads	Drive end	Non drive end	Foundation loads
	16.3	13.8	19.6	13.8	11.8	16.6	12.8	10.8	15.4	8.3	6.8	10.0	5.2	4.2	6.3	3.5	2.8	4.2	2.2	1.8	2.7

Bearing type	6203-2RS	6202-2RS	Foundation loads	
Lubrication interval	-	-	Max. traction	: 420 N
Lubricant amount	-	-	Max. compression	: 598 N
Lubricant type	MOBIL POLYREX EM		Load type	: -
			Load torque	: -
			Load inertia (J=GD ² /4)	: -

Notes
See notes on page 2.

Rev.	Changes Summary		Rev.	Checked	Date
Performed by	farazq		1867010103		
Checked by	AUTOMATICO		Page	Rev.	
Date	29/06/2026		1 / 2	0	

DATA SHEET

Three Phase Induction Motor - Squirrel Cage



Customer : V.J. PAMENSKY CANADA INC.

Product line : W01 - TEFC - Premium Efficiency (DOE) Jet Pump - Forma J Derating
Product code : 19188697

Thermal protection ID	Application	Type	Quantity	Sensing Temperature
-----------------------	-------------	------	----------	---------------------

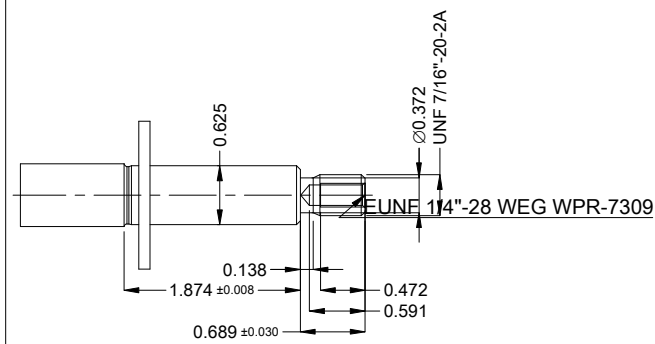
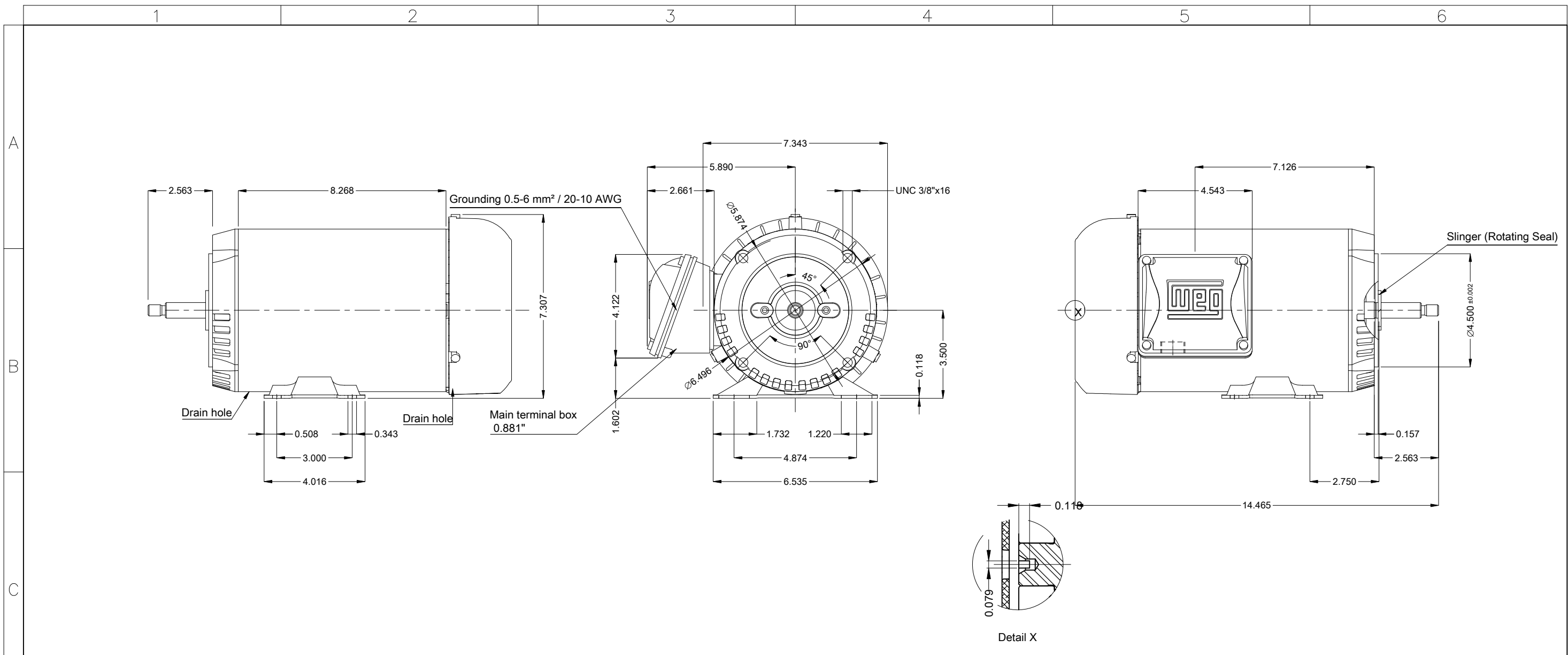
Notes
USABLE @208V 5.46A SF 1.15 SFA 6.28A

Standards	Specification	: MG1 - Part 10	Vibration	: MG1 - Part 7
	Test	: MG1 - Part 12	Tolerance	: MG1 - Part 12
	Noise	: MG1 - Part 9		

This revision replaces and cancel the previous one, which must be eliminated.
(1) Looking the motor from the shaft end.
(2) Measured at 1m and with tolerance of +3dB(A).
(3) Approximate weight, subject to be changed after manufacturing process.

These are average values based on tests with sinusoidal power supply, subject to the tolerances stipulated in NEMA MG 1-12.

Rev.	Changes Summary	Rev.	Checked	Date
Performed by	farazq		1867010103	
Checked by	AUTOMATICO		Page	Rev.
Date	29/06/2026		2 / 2	0



Reinforce the foot with 2 mig welding spots
Shaft material - stainless steel AISI 304
Fan cover - steel plate
NDE sealing - V ring
Color Munsell N 1 matte black
Painting plan 207N
Mounting MARKET F-1/B34R(D)
Mounting B34D

2 HP 02 Poles 60 Hz						A
Scale 1 : 4						
HYBRISUSER						00
ECM	LOC	SUMMARY OF MODIFICATIONS			EXECUTED	00
EXECUTED	HYBRISUSER	THREE PH. MOTOR ROLLED STEEL JET PUMP THREADED PREM EFF			WDD	00
CHECKED		FRAME 56J IP55 TEFC			REL. DATE	1 / 1
RELEASED						
REL. DATE						

Dimensions in inches

A3