

DATA SHEET

Single Phase Induction Motor - Squirrel Cage



Customer	:			
Product line	: Jet Pump - J type Single-Phase	Product code : 13789730		
Frame	: W56J	Cooling method : IC411 - TEFC		
Insulation class	: F	Mounting : F-1		
Duty cycle	: Cont.(S1)	Rotation ¹ : CCW		
Ambient temperature	: -20°C to +40°C	Starting method : Direct On Line		
Altitude	: 1000 m.a.s.l.	Approx. weight ³ : 8.4 kg		
Protection degree	: IP55	Moment of inertia (J) : 0.0008 kgm ²		
Design	: N			
Output [HP]		0.33		
Poles		2		
Frequency [Hz]		60		
Rated voltage [V]		115/208-230		
Rated current [A]		5.20/2.88-2.60		
L. R. Amperes [A]		36.4/20.2-18.2		
LRC [A]		7.0x(Code P)		
No load current [A]		3.60/1.55-1.80		
Rated speed [RPM]		3490		
Slip [%]		3.06		
Rated torque [kgfm]		0.069		
Locked rotor torque [%]		290		
Breakdown torque [%]		290		
Service factor				
Temperature rise		80 K		
Locked rotor time		14s (cold) 8s (hot)		
Noise level ²		66.0 dB(A)		
Efficiency (%)	25%	41.7		
	50%	44.5		
	75%	52.5		
	100%	56.5		
Power Factor	25%	0.34		
	50%	0.59		
	75%	0.67		
	100%	0.74		
Bearing type	: <u>Drive end</u> 6203 2RS <u>Non drive end</u> 6202 2RS	Foundation loads		
Sealing	: V'Ring Without Bearing Seal	Max. traction : 2 kgf		
Lubrication interval	: - -	Max. compression : 10 kgf		
Lubricant amount	: - -			
Lubricant type	: Mobil Polyrex EM			
Notes				
<p>This revision replaces and cancel the previous one, which must be eliminated.</p> <p>(1) Looking the motor from the shaft end.</p> <p>(2) Measured at 1m and with tolerance of +3dB(A).</p> <p>(3) Approximate weight subject to changes after manufacturing process.</p> <p>(4) At 100% of full load.</p>		<p>These are average values based on tests with sinusoidal power supply, subject to the tolerances stipulated in NEMA MG-1.</p>		
Rev.	Changes Summary	Performed	Checked	Date
Performed by				
Checked by			Page	Revision
Date	17/05/2022		1 / 2	

LOAD PERFORMANCE CURVE

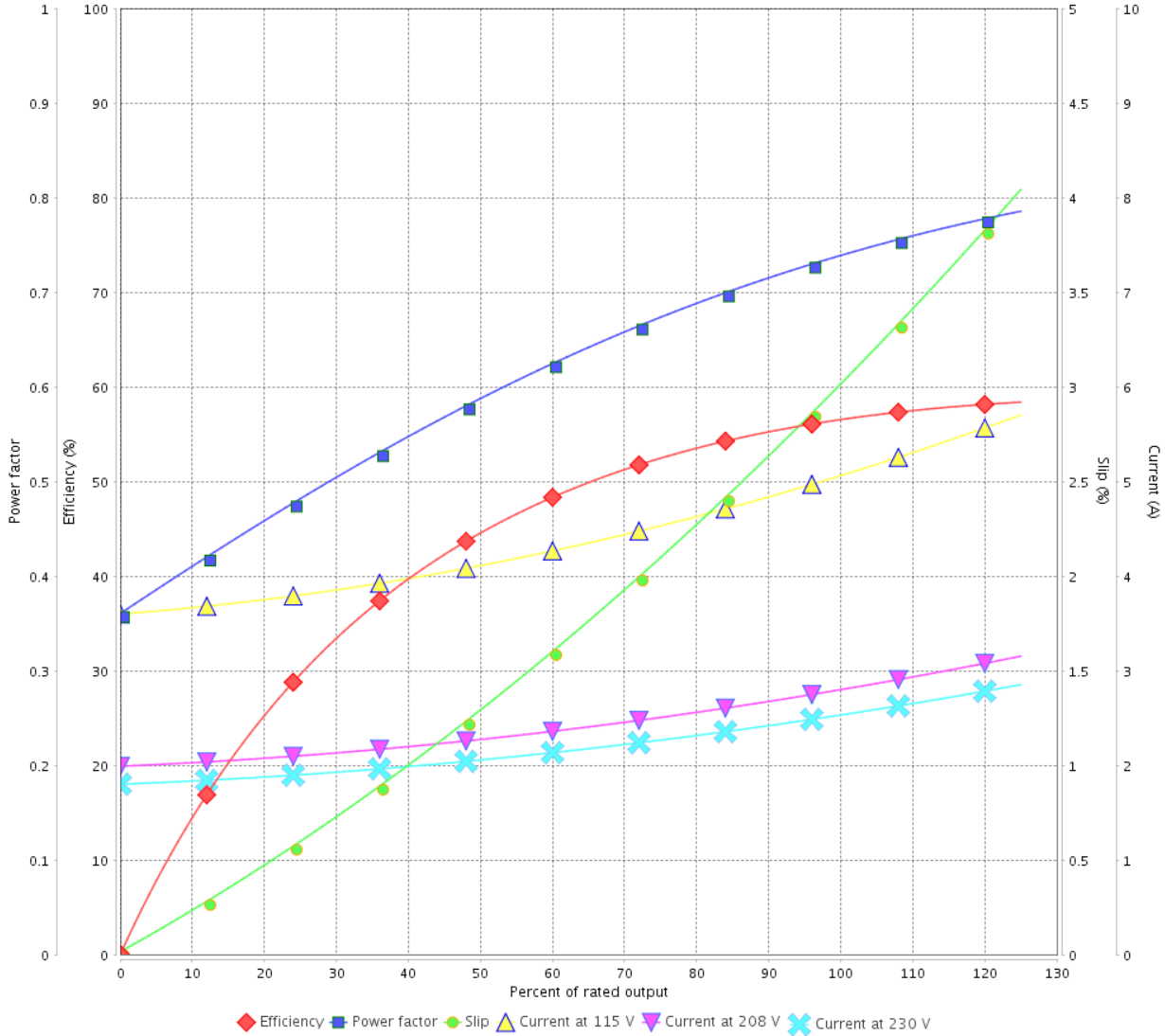
Single Phase Induction Motor - Squirrel Cage



Customer :

Product line : Jet Pump - J type Single-Phase Product code : 13789730

LOAD PERFORMANCE CURVE



Performance : 115/208-230 V 60 Hz 2P

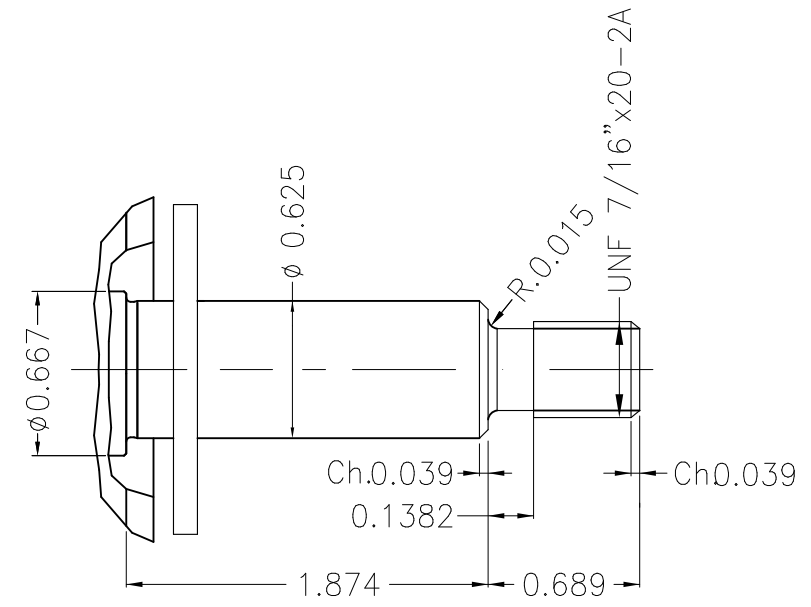
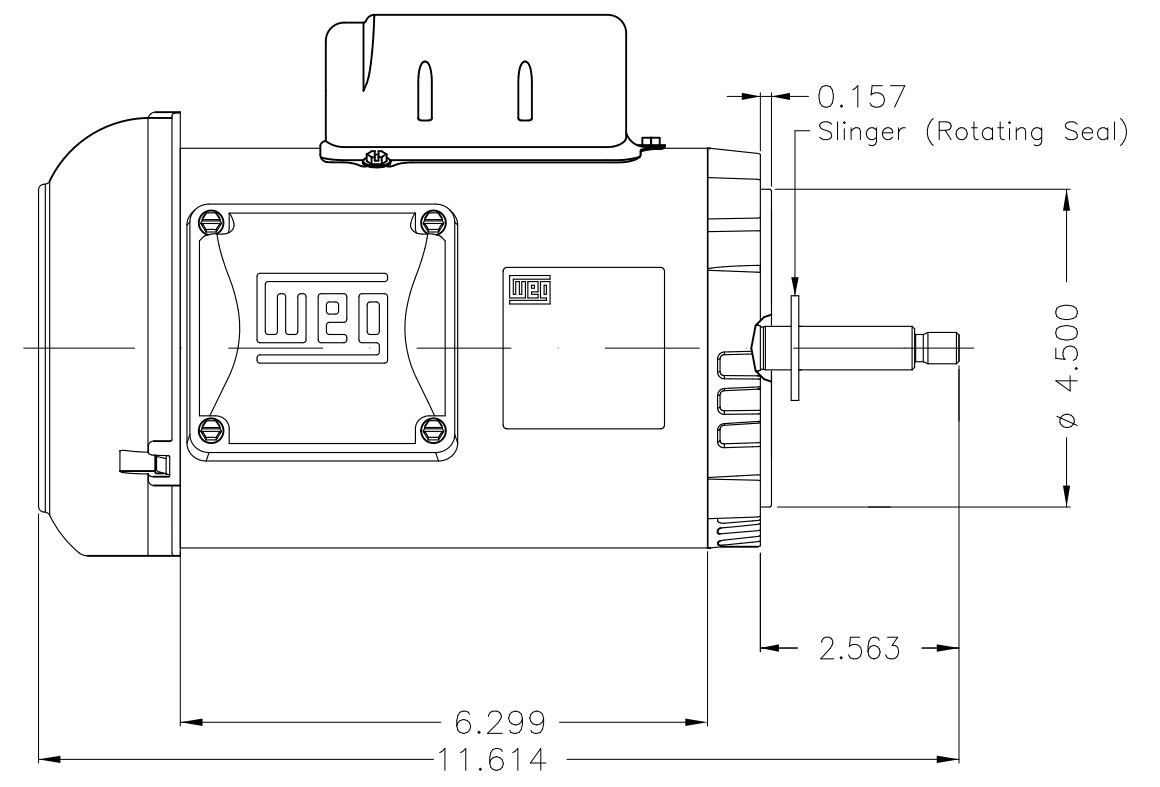
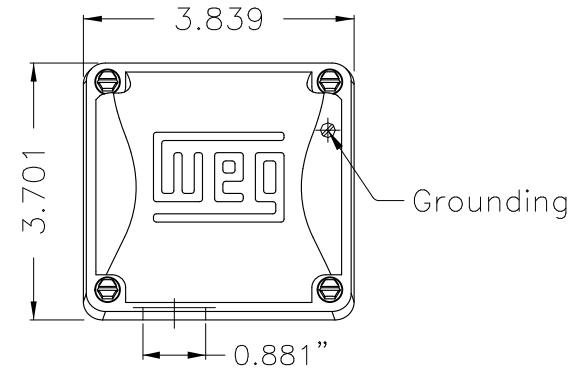
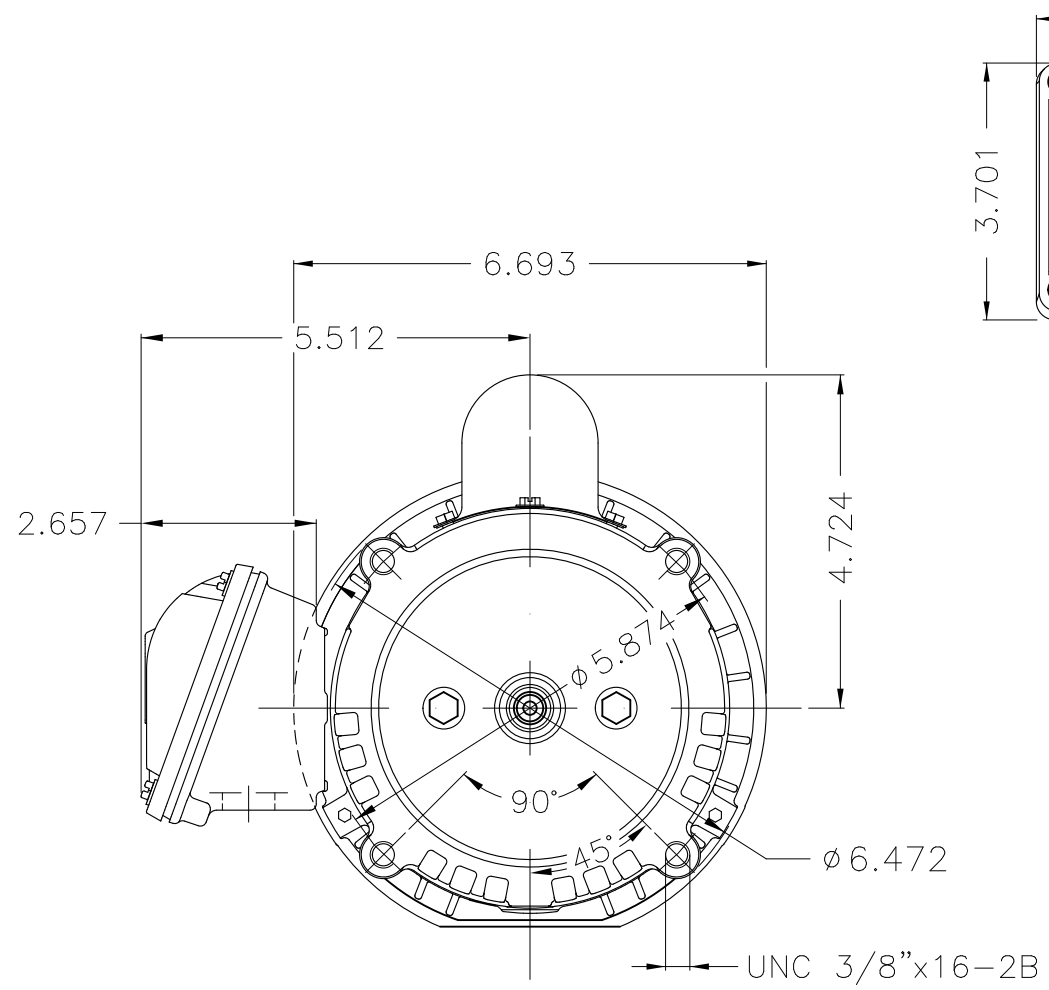
Rated current : 5.20/2.88-2.60 A
 LRC : 7.0
 Rated torque : 0.069 kgfm
 Locked rotor torque : 290 %
 Breakdown torque : 290 %
 Rated speed : 3490 rpm

Moment of inertia (J) : 0.0008 kgm²
 Duty cycle : Cont.(S1)
 Insulation class : F
 Service factor :
 Temperature rise : 80 K
 Design : N

Rev.	Changes Summary	Performed	Checked	Date
Performed by			Page 2 / 2	Revision
Checked by				
Date	17/05/2022			

1 2 3 4 5 6

A
B
C
D
E



Color Munsell N 1 matte black									
Painting plan 207N									
Mounting F-1/B14R(D)									
					HYBRISUSER	00			
ECM	LOC	SUMMARY OF MODIFICATIONS			EXECUTED	CHECKED	RELEASED	DATE	VER
EXECUTED	HYBRISUSER	SINGLE PH. MOTOR ROLLED STEEL JET PUMP THREADED							
CHECKED		FRAME W56J IP55 TEFC							
RELEASED									
REL. DATE		WMO	Jaragua do Sul	Product Engineering	PREVIEW		WDD	00	
					SHEET		1 / 1		

0.33 HP 02 Poles 60 Hz

