

DATA SHEET

Single Phase Induction Motor - Squirrel Cage



Customer	:			
Product line	: Jet Pump - J type Single-Phase	Product code : 14382901		
Frame	: 56J	Cooling method : IC01 - ODP		
Insulation class	: F	Mounting : F-1		
Duty cycle	: Cont.(S1)	Rotation ¹ : CCW		
Ambient temperature	: -20°C to +40°C	Starting method : Direct On Line		
Altitude	: 1000 m.a.s.l.	Approx. weight ³ : 17.6 kg		
Design	: L	Moment of inertia (J) : 0.0032 kgm ²		
Output [HP]		2		
Poles		2		
Frequency [Hz]		60		
Rated voltage [V]		115/208-230		
Rated current [A]		21.8/12.1-10.9		
L. R. Amperes [A]		170/94.0-85.0		
LRC [A]		7.8x(Code L)		
No load current [A]		12.6/5.43-6.30		
Rated speed [RPM]		3490		
Slip [%]		3.06		
Rated torque [kgfm]		0.416		
Locked rotor torque [%]		250		
Breakdown torque [%]		260		
Service factor				
Temperature rise		80 K		
Locked rotor time		10s (cold) 6s (hot)		
Noise level ²		58.0 dB(A)		
Efficiency (%)	25%			
	50%	69.0		
	75%	72.0		
	100%	75.0		
Power Factor	25%			
	50%	0.60		
	75%	0.72		
	100%	0.80		
Bearing type	: <u>Drive end</u> 6203 2RS <u>Non drive end</u> 6202 2RS	Foundation loads		
Sealing	: Without Bearing Seal Without Bearing Seal	Max. traction : 26 kgf		
Lubrication interval	: - -	Max. compression : 43 kgf		
Lubricant amount	: - -			
Lubricant type	: Mobil Polyrex EM			
Notes				
<p>This revision replaces and cancel the previous one, which must be eliminated.</p> <p>(1) Looking the motor from the shaft end.</p> <p>(2) Measured at 1m and with tolerance of +3dB(A).</p> <p>(3) Approximate weight subject to changes after manufacturing process.</p> <p>(4) At 100% of full load.</p>		<p>These are average values based on tests with sinusoidal power supply, subject to the tolerances stipulated in NEMA MG-1.</p>		
Rev.	Changes Summary	Performed	Checked	Date
Performed by				
Checked by			Page	Revision
Date	17/05/2022		1 / 2	

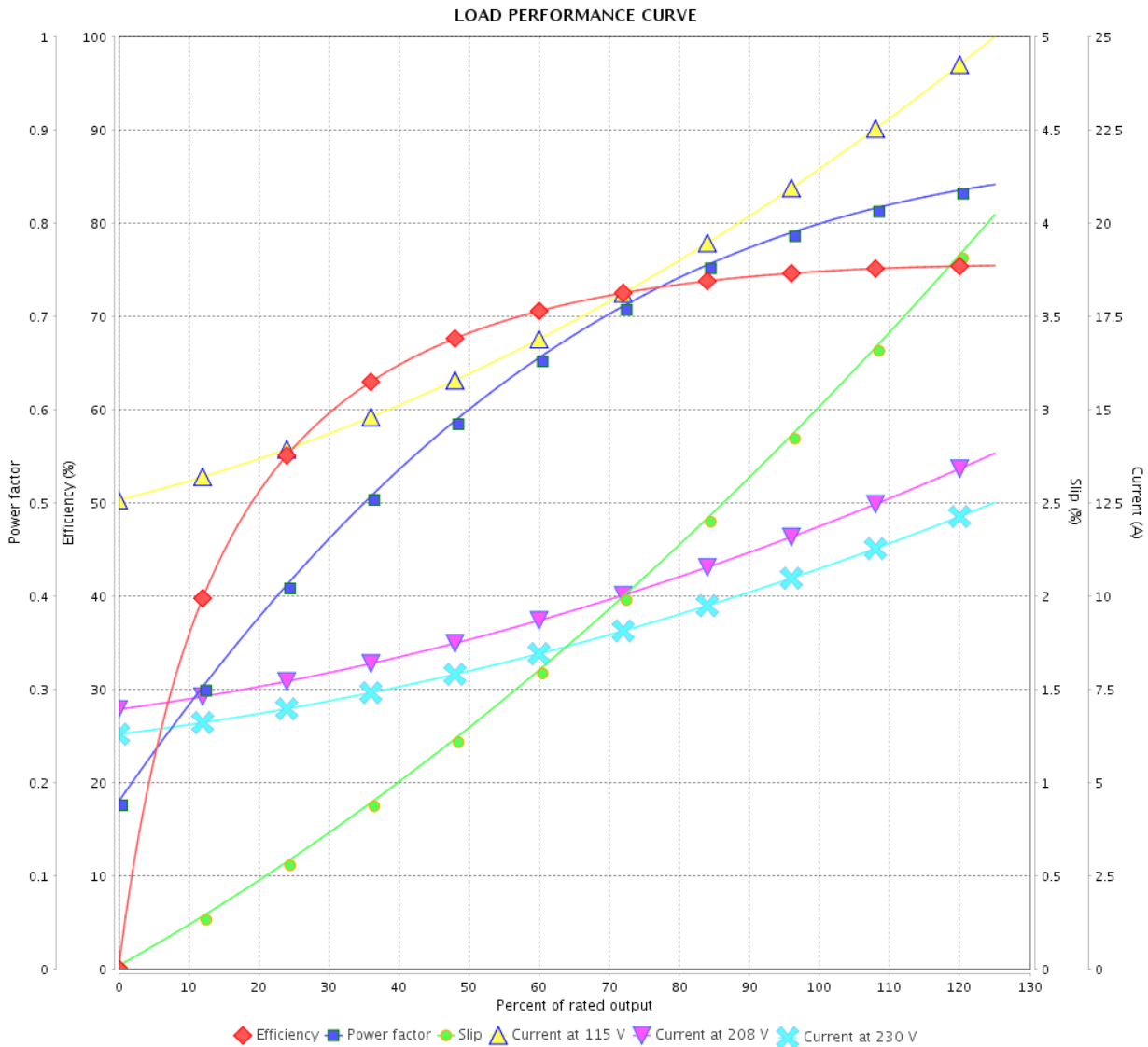
LOAD PERFORMANCE CURVE

Single Phase Induction Motor - Squirrel Cage



Customer :

Product line : Jet Pump - J type Single-Phase Product code : 14382901



Performance : 115/208-230 V 60 Hz 2P

Rated current : 21.8/12.1-10.9 A
 LRC : 7.8
 Rated torque : 0.416 kgfm
 Locked rotor torque : 250 %
 Breakdown torque : 260 %
 Rated speed : 3490 rpm

Moment of inertia (J) : 0.0032 kgm²
 Duty cycle : Cont.(S1)
 Insulation class : F
 Service factor :
 Temperature rise : 80 K
 Design : L

Rev.	Changes Summary	Performed	Checked	Date
Performed by			Page 2 / 2	Revision
Checked by				
Date	17/05/2022			

1 2 3 4 5 6

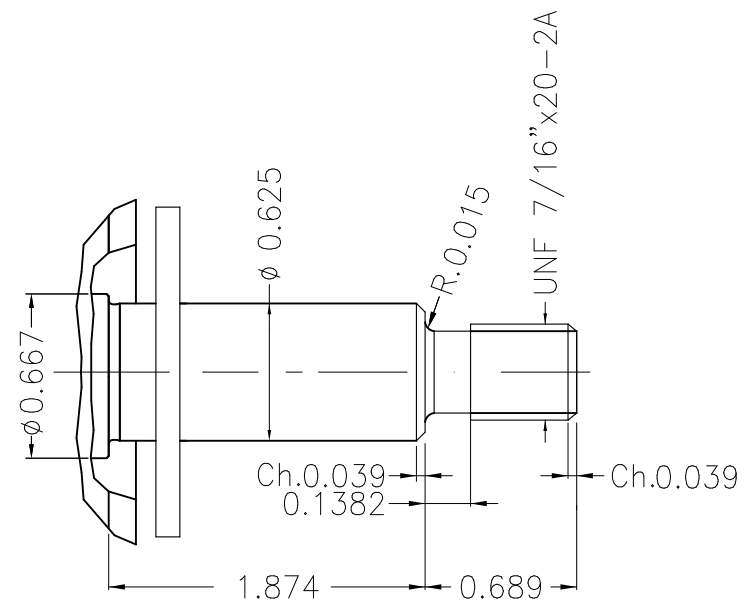
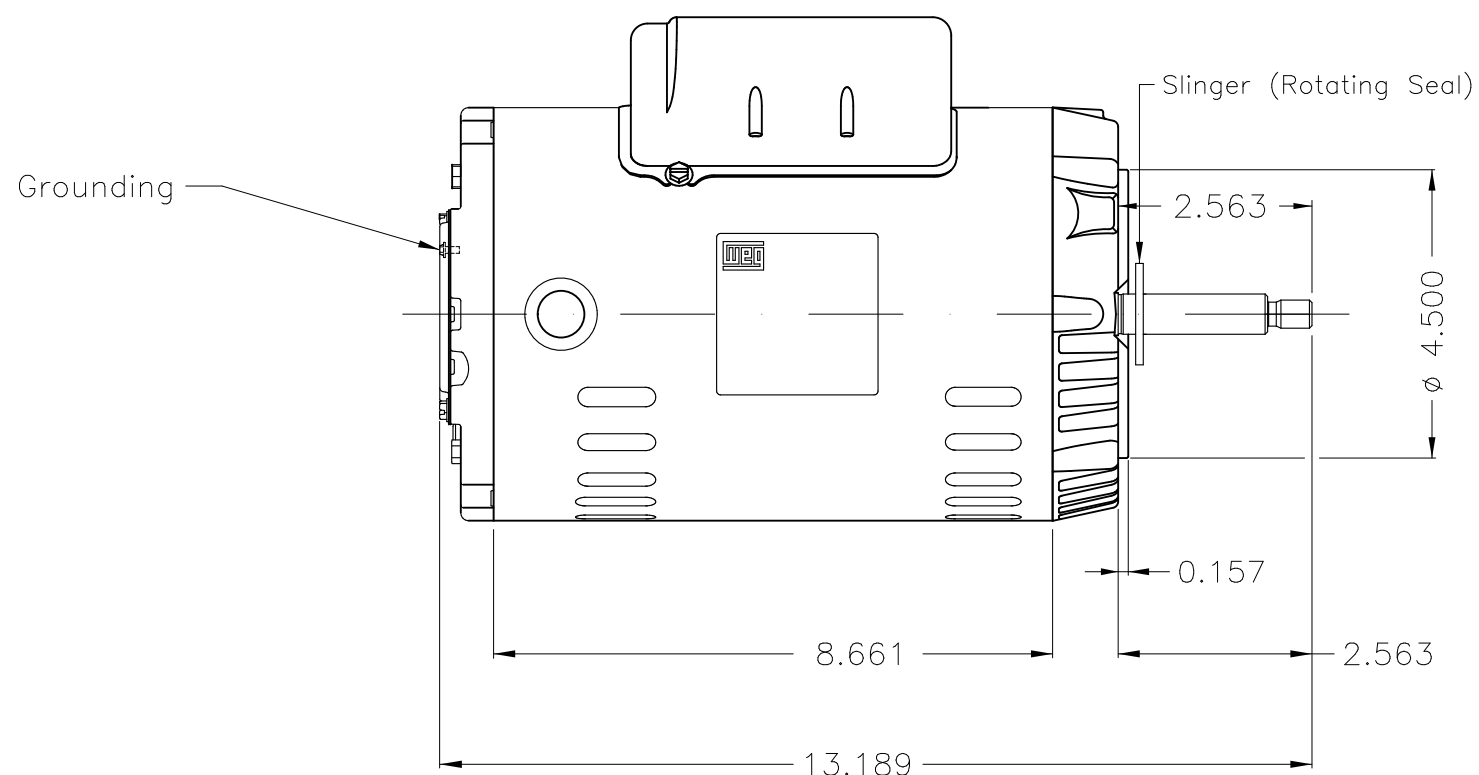
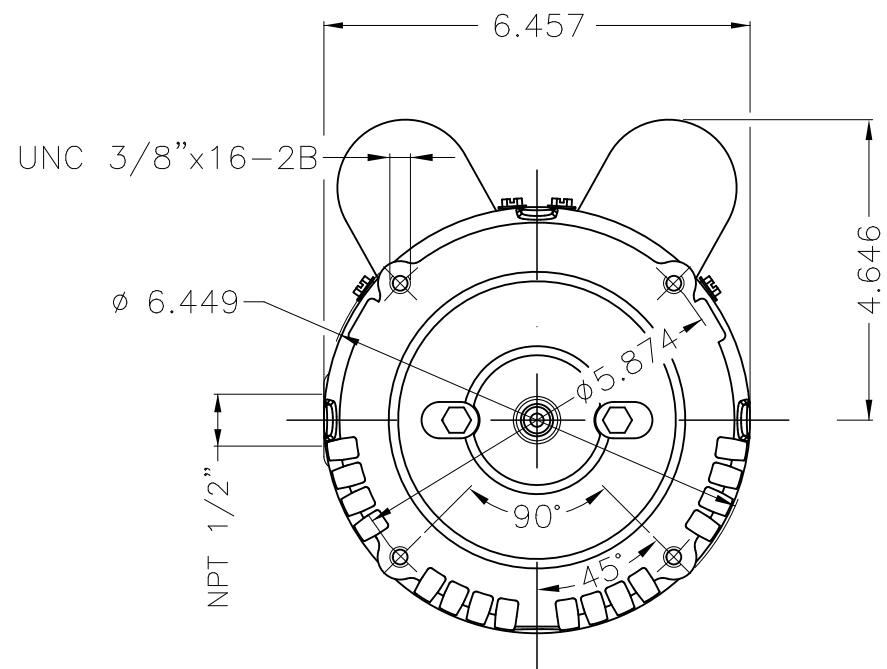
A

B

C

D

E



Color Munsell N 1 matte black
 Painting plan 207N
 Mounting F-1/B14R(D)

						HYBRISUSER				00	
ECM	LOC	SUMMARY OF MODIFICATIONS				EXECUTED	CHECKED	RELEASED	DATE	VER	
EXECUTED	HYBRISUSER	SINGLE PH. MOTOR ROLLED STEEL JET PUMP THREADED				PREVIEW				WEG	
CHECKED		FRAME 56J IP21 ODP				WDD		00			
RELEASED						SHEET		1 / 1			
REL. DATE		WMO	Jaragua do Sul	Product Engineering							

2 HP 02 Poles 60 Hz

A