

DATA SHEET

Three Phase Induction Motor - Squirrel Cage



Customer :	
Product line	: Jet Pump - C type Three-Phase
Product code	: 14337496
Frame	: W56C
Insulation class	: F
Duty cycle	: Cont.(S1)
Ambient temperature	: -20°C to +40°C
Altitude	: 1000 m.a.s.l.
Design	: A
Cooling method	: IC01 - ODP
Mounting	: F-1
Rotation ¹	: CCW
Starting method	: Direct On Line
Approx. weight ²	: 11.5 kg
Moment of inertia (J)	: 0.0014 kgm ²
Output [HP]	1.5
Poles	2
Frequency [Hz]	60
Rated voltage [V]	230/460
Rated current [A]	4.22/2.11
L. R. Amperes [A]	37.1/18.6
LRC [A]	8.8x(Code L)
No load current [A]	2.40/1.20
Rated speed [RPM]	3450
Slip [%]	4.17
Rated torque [kgfm]	0.316
Locked rotor torque [%]	400
Breakdown torque [%]	430
Service factor	1.15
Temperature rise	80 K
Locked rotor time	23s (cold) 13s (hot)
Noise level ²	62.0 dB(A)
Efficiency (%)	25%
	50%
	75%
	100%
Power Factor	25%
	50%
	75%
	100%
Bearing type	: <u>Drive end</u> 6203 2RS <u>Non drive end</u> 6202 2RS
Sealing	: Without Bearing Seal Without Bearing Seal
Lubrication interval	: -
Lubricant amount	: -
Lubricant type	: Mobil Polyrex EM
Foundation loads	Max. traction : 37 kgf Max. compression : 49 kgf
Notes USABLE @208V 4.67A SF 1.00 SFA 4.67A	
This revision replaces and cancel the previous one, which must be eliminated. (1) Looking the motor from the shaft end. (2) Measured at 1m and with tolerance of +3dB(A). (3) Approximate weight subject to changes after manufacturing process. (4) At 100% of full load.	
These are average values based on tests with sinusoidal power supply, subject to the tolerances stipulated in NEMA MG-1.	
Rev.	Changes Summary
Performed by	Performed
Checked by	Checked
Date	Date
17/05/2022	
Page	Revision
1 / 4	

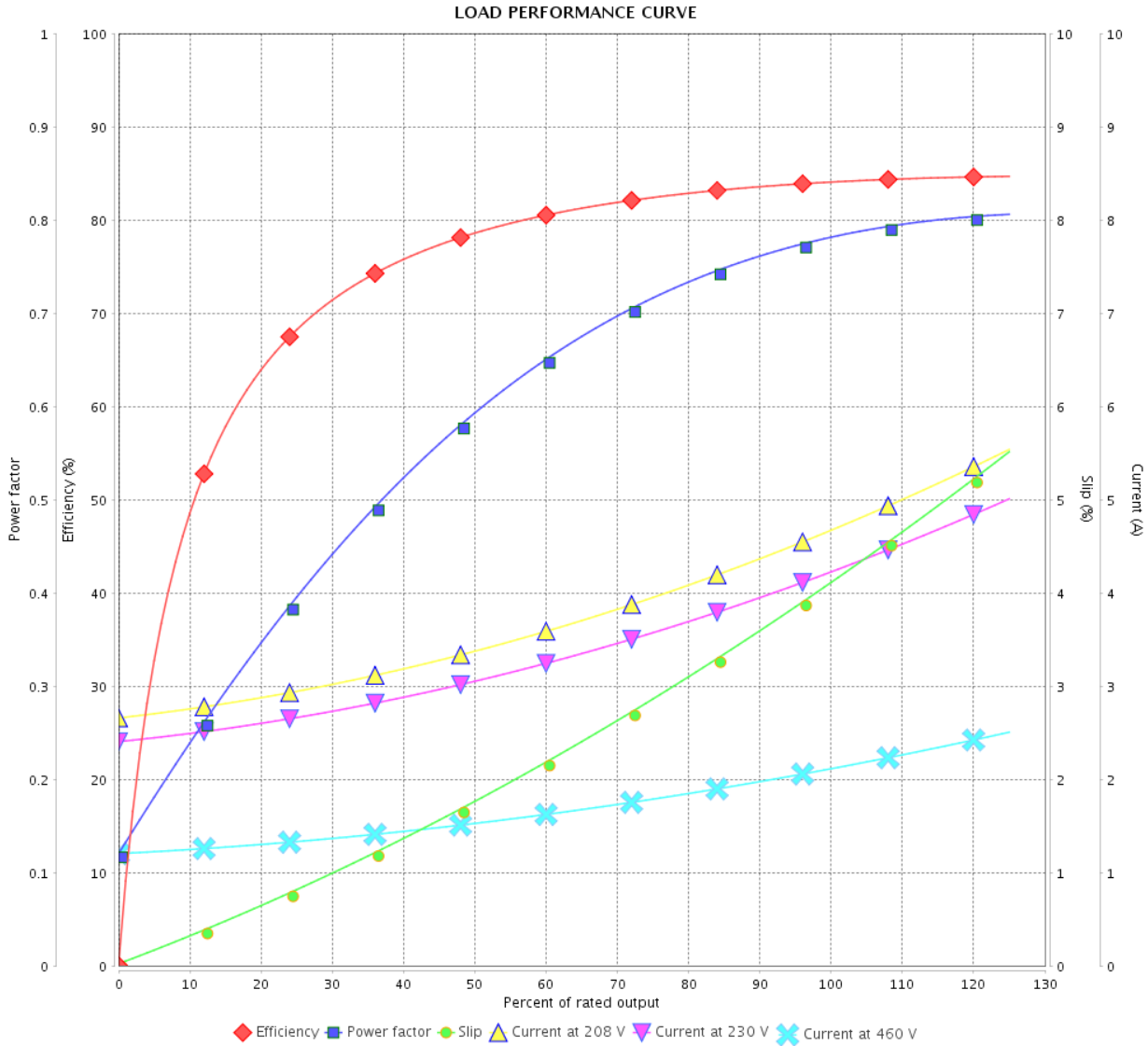
LOAD PERFORMANCE CURVE

Three Phase Induction Motor - Squirrel Cage



Customer :

Product line : Jet Pump - C type Three-Phase Product code : 14337496



Performance : 230/460 V 60 Hz 2P

Rated current : 4.22/2.11 A
 LRC : 8.8
 Rated torque : 0.316 kgfm
 Locked rotor torque : 400 %
 Breakdown torque : 430 %
 Rated speed : 3450 rpm

Moment of inertia (J) : 0.0014 kgm²
 Duty cycle : Cont.(S1)
 Insulation class : F
 Service factor :
 Temperature rise : 80 K
 Design : A

Rev.	Changes Summary	Performed	Checked	Date
Performed by			Page	Revision
Checked by				
Date				

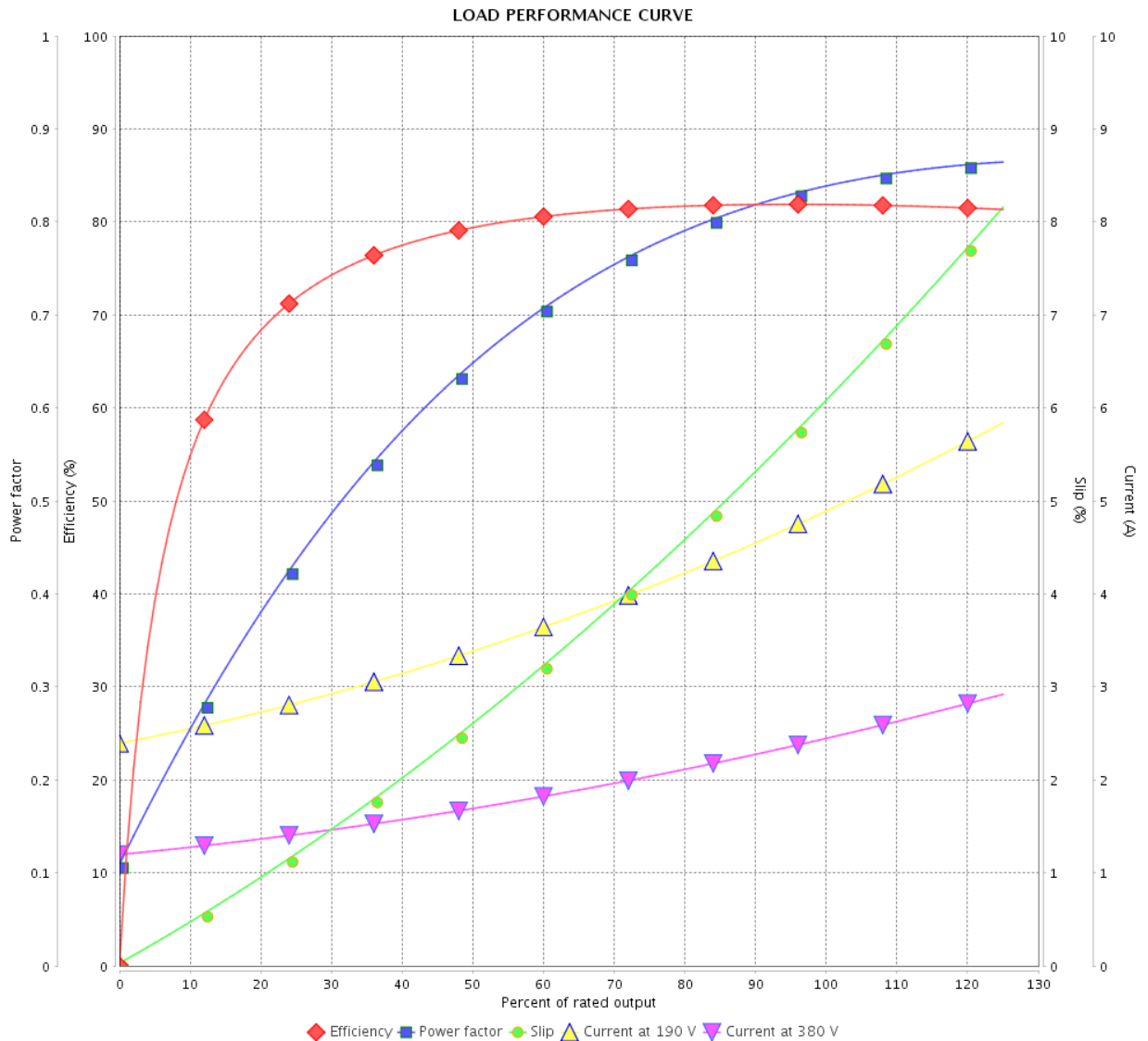
LOAD PERFORMANCE CURVE

Three Phase Induction Motor - Squirrel Cage



Customer : _____

Product line : Jet Pump - C type Three-Phase Product code : 14337496



Performance : 190/380 V 50 Hz 2P

Rated current : 4.86/2.43 A
 LRC : 7.9
 Rated torque : 0.387 kgfm
 Locked rotor torque : 390 %
 Breakdown torque : 310 %
 Rated speed : 2815 rpm

Moment of inertia (J) : 0.0014 kgm²
 Duty cycle : Cont.(S1)
 Insulation class : F
 Service factor : 1.15
 Temperature rise : 80 K
 Design : A

Rev.	Changes Summary	Performed	Checked	Date
Performed by			Page 3 / 4	Revision
Checked by				
Date	17/05/2022			

LOAD PERFORMANCE CURVE

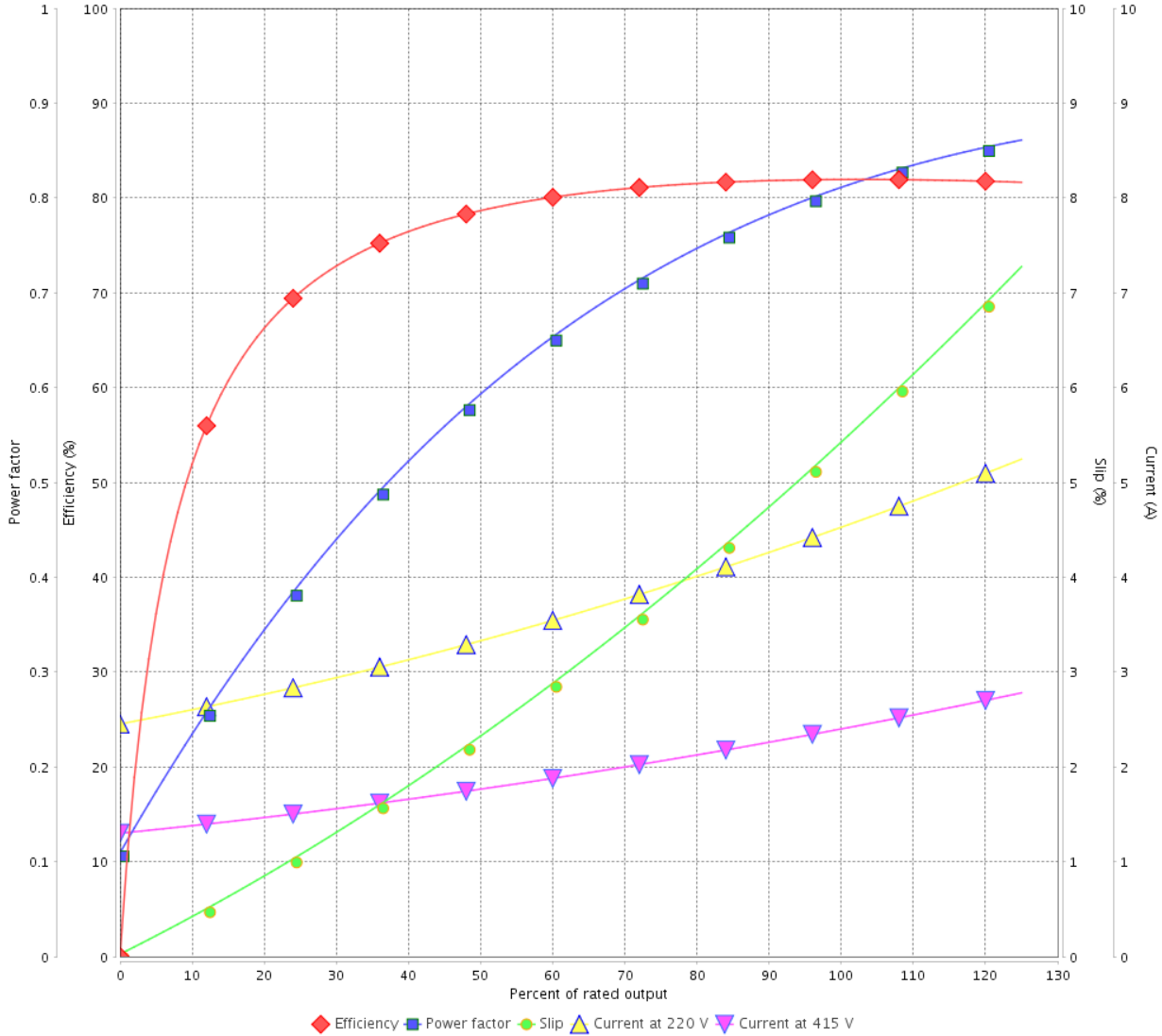
Three Phase Induction Motor - Squirrel Cage



Customer :

Product line : Jet Pump - C type Three-Phase Product code : 14337496

LOAD PERFORMANCE CURVE



Performance : 220/415 V 50 Hz 2P

Rated current : 4.51/2.39 A
 LRC : 8.5
 Rated torque : 0.384 kgfm
 Locked rotor torque : 440 %
 Breakdown torque : 350 %
 Rated speed : 2835 rpm

Moment of inertia (J) : 0.0014 kgm²
 Duty cycle : Cont.(S1)
 Insulation class : F
 Service factor : 1.15
 Temperature rise : 80 K
 Design : A

Rev.	Changes Summary	Performed	Checked	Date
Performed by			Page	Revision
Checked by				
Date				

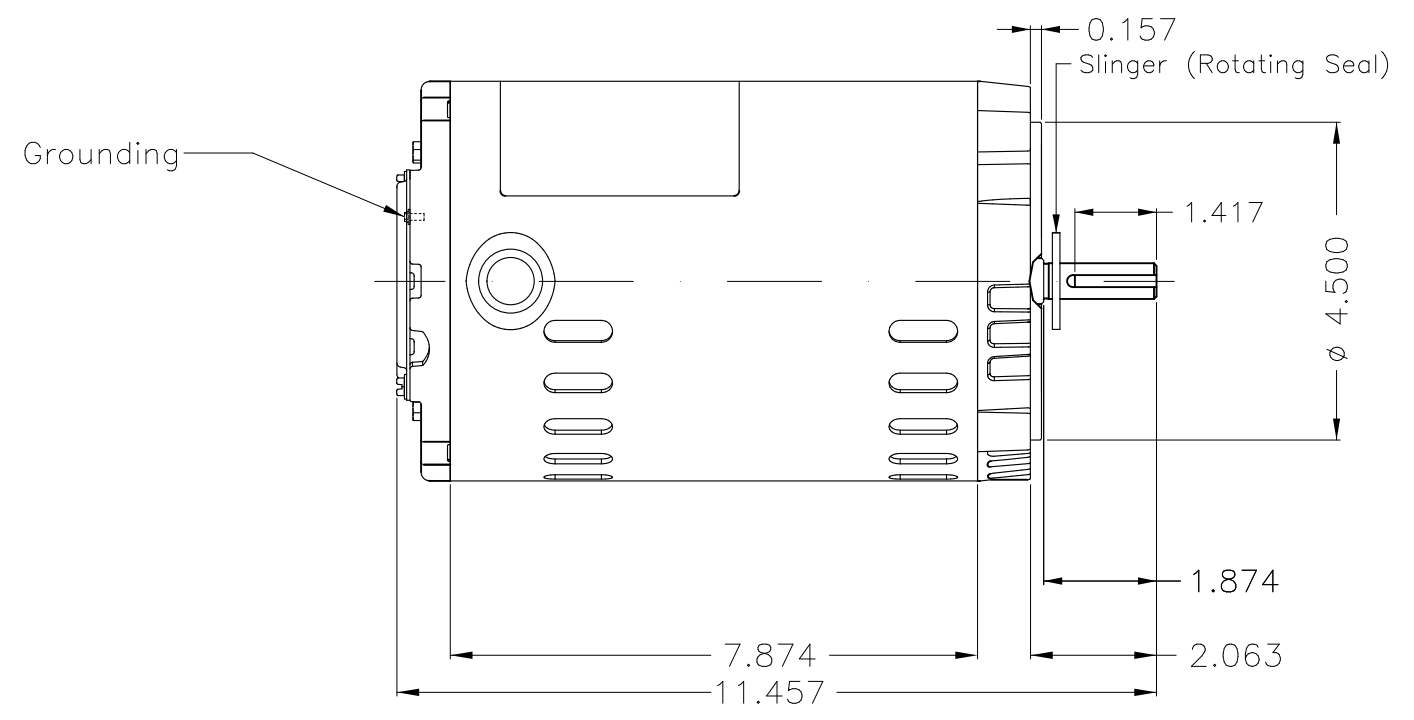
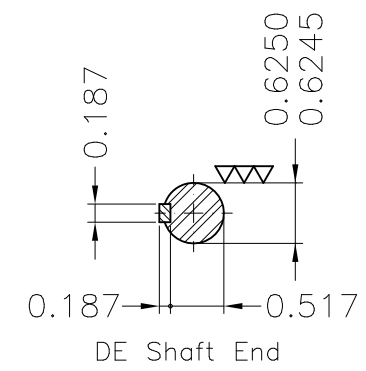
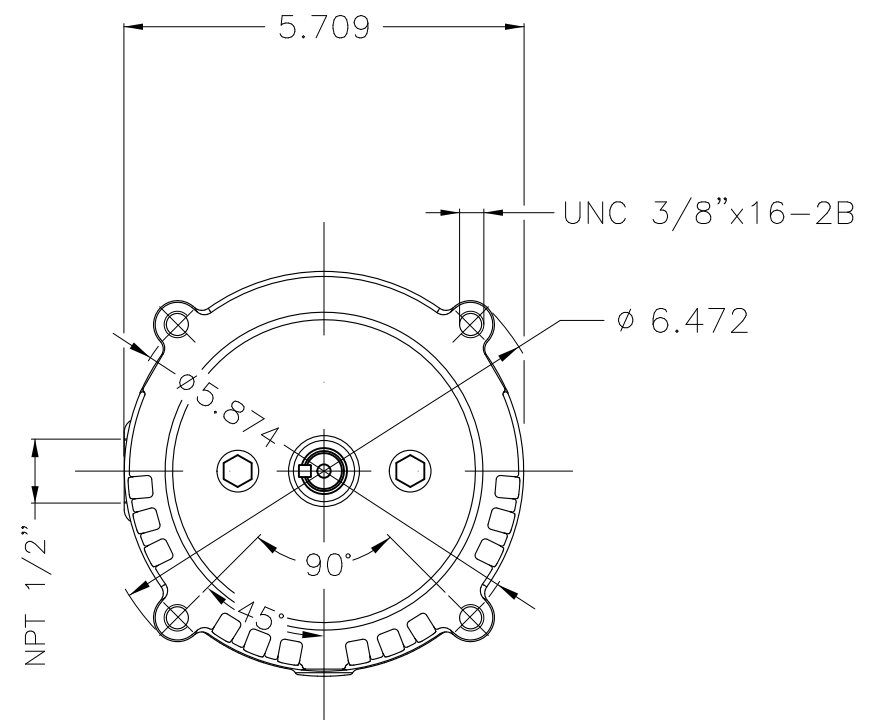
A

B

C

D

E



Color Munsell N 1 matte black
 Painting plan 207N
 Mounting F-1/B14R(D)

						HYBRISUSER						00	
ECM	LOC	SUMMARY OF MODIFICATIONS				EXECUTED	CHECKED	RELEASED	DATE	VER			

EXECUTED	HYBRISUSER		THREE PH. MOTOR ROLLED STEEL JET PUMP KEYED PREM 555	PREVIEW WDD 00	
CHECKED			FRAME W56C IP21 ODP		
RELEASED					
REL. DATE		WMO	Jaragua do Sul	Product Engineering	SHEET 1 / 1

1.5 HP 02 Poles 60 Hz

A