

DATA SHEET

Three Phase Induction Motor - Squirrel Cage



Customer : V.J. PAMENSKY CANADA INC.

Product line : W01 - TEFC - Premium Efficiency (DOE) Jet Pump - Forma J Derating Product code : 19176004

Frame	: W56J	Cooling method	: IC411 - TEFC
Insulation class	: F	Mounting	: W-6/V17R(D)
Duty cycle	: S1	Rotation ¹	: Counter clockwise
Ambient temperature	: -20 °C to +40 °C	Starting method	: Direct On Line
Altitude	: 3280 ft	Approx. weight ³	: 20.5 lb
Protection degree	: IP55	Moment of inertia (J)	: 0.0261 sq.ft.lb

Output	1 HP (0.75 kW)	1 HP (0.75 kW)	1 HP (0.75 kW)
Poles	2	2	2
Frequency	60 Hz	50 Hz	50 Hz
Rated voltage	208-230/460 V	190/380 V	220/415 V
Rated current	3.32-3.00/1.50 A	3.40/1.70 A	3.11/1.65 A
L. R. Amperes	29.2-26.4/13.2 A	22.1/11.1 A	23.3/12.4 A
LRC	8.8	6.5	7.5
No load current	1.38-1.60/0.798 A	1.56/0.781 A	1.79/0.949 A
Rated speed	3435 rpm	2770 rpm	2815 rpm
Slip	4.58 %	7.67 %	6.17 %
Rated torque	1.50 ft.lb	1.87 ft.lb	1.84 ft.lb
Locked rotor torque	360 %	280 %	330 %
Pull up torque	305 %	235 %	280 %
Breakdown torque	380 %	250 %	310 %
Service factor	1.15	1.15	1.15
Temperature rise	80 K	80 K	80 K
Noise level ²	65.0 dB(A)	64.0 dB(A)	64.0 dB(A)
Locked rotor time (hot)	10 s	9 s	8 s
Locked rotor time (cold)	18 s	16 s	14 s
Efficiency (%)	50%	74.0	77.8
	75%	77.0	79.2
	100%	78.5	77.8
Power Factor	50%	0.63	0.70
	75%	0.75	0.81
	100%	0.80	0.86

Bearing type	Drive end	Non drive end	Foundation loads	Max. traction	: 205 N
	6203-2RS	6202-2RS		Max. compression	: 296 N
Lubrication interval	-	-	Load type	: -	
Lubricant amount	-	-		Load torque	: -
Lubricant type	MOBIL POLYREX EM			Load inertia (J=GD ² /4)	: -

Notes
See notes on page 2.

This revision replaces and cancel the previous one, which must be eliminated.
(1) Looking the motor from the shaft end.
(2) Measured at 1m and with tolerance of +3dB(A).
(3) Approximate weight, subject to be changed after manufacturing process.

These are average values based on tests with sinusoidal power supply, subject to the tolerances stipulated in NEMA MG 1-12.

Rev.	Changes Summary	Rev.	Checked	Date
Performed by	farazq	1866995202		
Checked by	AUTOMATICO	Page	Rev.	
Date	29/06/2026	1 / 2	0	

DATA SHEET

Three Phase Induction Motor - Squirrel Cage



Customer : V.J. PAMENSKY CANADA INC.

Product line : W01 - TEFC - Premium Efficiency (DOE) Jet Pump - Forma J Derating
Product code : 19176004

Thermal protection ID	Application	Type	Quantity	Sensing Temperature
-----------------------	-------------	------	----------	---------------------

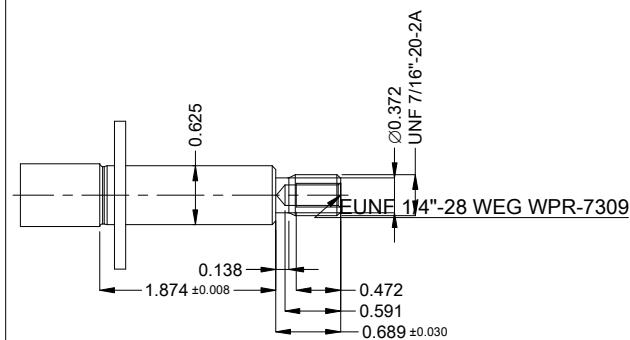
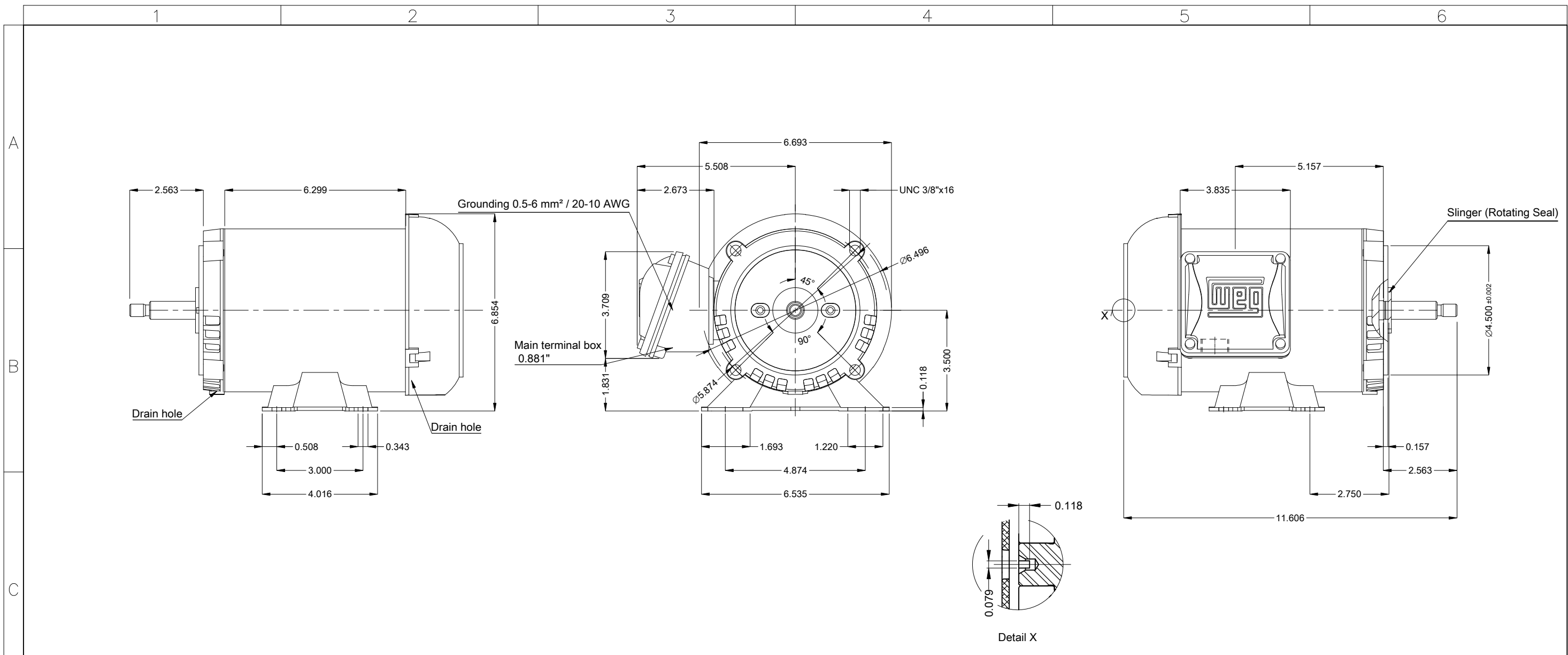
Notes

Standards	Specification	: MG1 - Part 10	Vibration	: MG1 - Part 7
	Test	: MG1 - Part 12	Tolerance	: MG1 - Part 12
	Noise	: MG1 - Part 9		

This revision replaces and cancel the previous one, which must be eliminated.
(1) Looking the motor from the shaft end.
(2) Measured at 1m and with tolerance of +3dB(A).
(3) Approximate weight, subject to be changed after manufacturing process.

These are average values based on tests with sinusoidal power supply, subject to the tolerances stipulated in NEMA MG 1-12.

Rev.	Changes Summary	Rev.	Checked	Date
Performed by	farazq	1866995202		
Checked by	AUTOMATICO	Page	Rev.	
Date	29/06/2026	2 / 2	0	



- Reinforce the foot with 2 mig welding spots
- Shaft material - stainless steel AISI 304
- NDE sealing - V ring
- Color Munsell N 1 matte black
- Painting plan 207N
- Mounting MARKET W-6/V17R(D)
- Mounting W-6/V17R(D)

1 HP 02 Poles 60 Hz						A
Scale 2 : 7						
DATAVIEWERUSER						00
ECM	LOC	SUMMARY OF MODIFICATIONS	EXECUTED	CHECKED	RELEASED	DATE VER
EXECUTED	DATAVIEWERUSER	THREE PH. MOTOR ROLLED STEEL JET PUMP THREADED PREM. EFF.				
CHECKED		FRAME W56J IP55 TEFC				
RELEASED						
REL. DATE						
				PREVIEW		
				WDD	00	
				SHEET 1 / 1		

Dimensions in inches

A3