

DATA SHEET



Single Phase Induction Motor - Squirrel Cage

Customer :

Product line : W22 JM Pump Single-Phase Product code : 14184284

Frame	: 143/5JM	Locked rotor time	: 12s (cold) 7s (hot)
Output	: 3 HP (2.2 kW)	Temperature rise	: 80 K
Poles	: 2	Duty cycle	: Cont.(S1)
Frequency	: 60 Hz	Ambient temperature	: -20°C to +40°C
Rated voltage	: 115/208-230 V	Altitude	: 1000 m.a.s.l.
Rated current	: 25.0/13.6-12.5 A	Protection degree	: IP55
L. R. Amperes	: 180/97.9-90.0 A	Cooling method	: IC411 - TEFC
LRC	: 7.2x(Code H)	Mounting	: F-1
No load current	: 5.80/2.50-2.90 A	Rotation ¹	: Both (CW and CCW)
Rated speed	: 3515 rpm	Noise level ²	: 69.0 dB(A)
Slip	: 2.36 %	Starting method	: Direct On Line
Rated torque	: 0.619 kgfm	Approx. weight ³	: 33.4 kg
Locked rotor torque	: 220 %		
Breakdown torque	: 240 %		
Insulation class	: F		
Service factor	: 1.15		
Moment of inertia (J)	: 0.0028 kgm ²		

Output	50%	75%	100%	Foundation loads	
Efficiency (%)	72.5	76.0	78.5	Max. traction	: 25 kgf
Power Factor	0.96	0.97	0.97	Max. compression	: 59 kgf

	Drive end	Non drive end
Bearing type	: 6206 ZZ	6203 ZZ
Sealing	: V'Ring	V'Ring
Lubrication interval	: -	-
Lubricant amount	: -	-
Lubricant type	: Mobil Polyrex EM	

Notes

This revision replaces and cancel the previous one, which must be eliminated.

- (1) Looking the motor from the shaft end.
- (2) Measured at 1m and with tolerance of +3dB(A).
- (3) Approximate weight subject to changes after manufacturing process.
- (4) At 100% of full load.

These are average values based on tests with sinusoidal power supply, subject to the tolerances stipulated in NEMA MG-1.

Rev.	Changes Summary	Performed	Checked	Date
Performed by				
Checked by			Page	Revision
Date	28/10/2024		1 / 2	

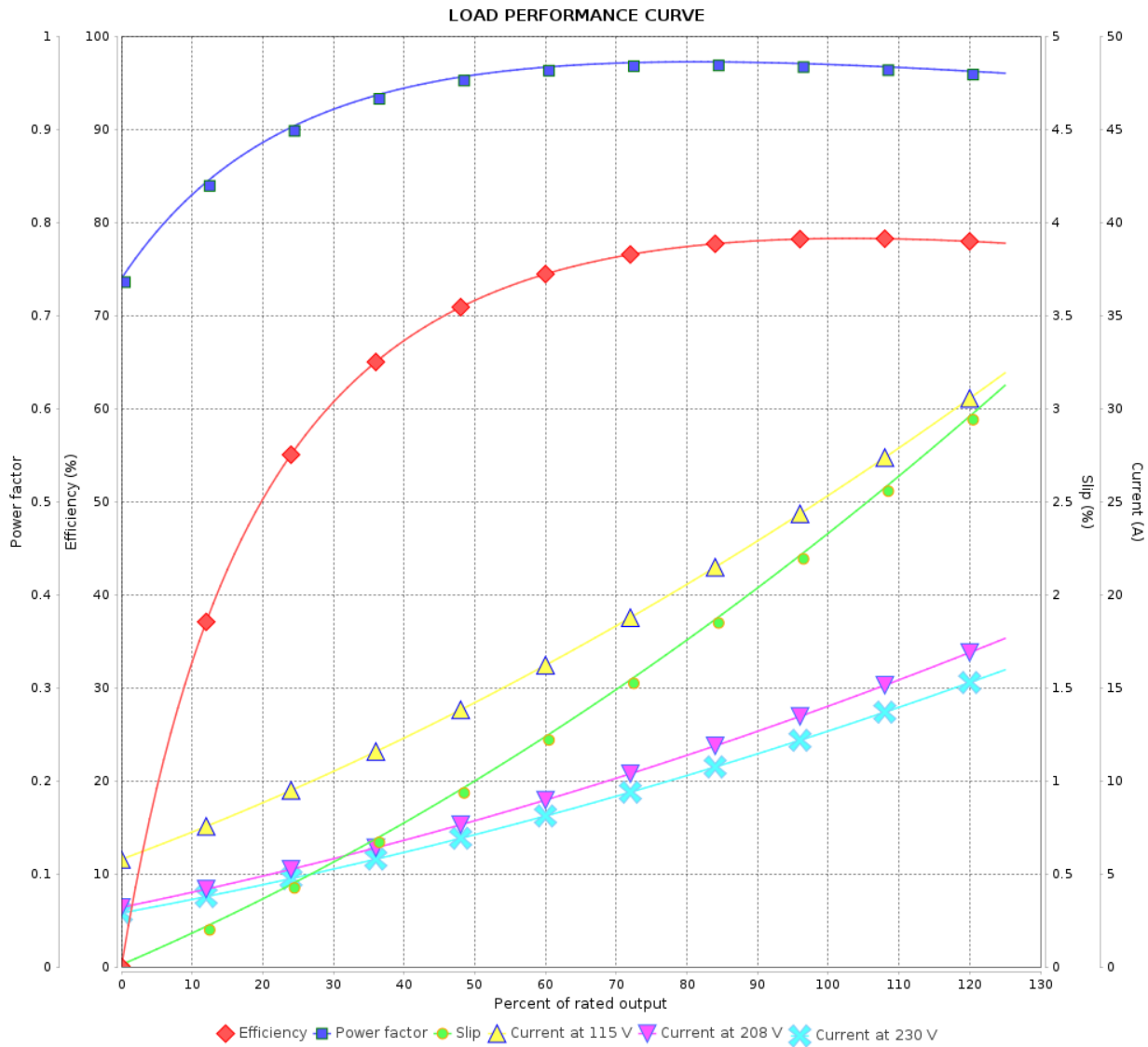
LOAD PERFORMANCE CURVE

Single Phase Induction Motor - Squirrel Cage



Customer :

Product line : W22 JM Pump Single-Phase Product code : 14184284

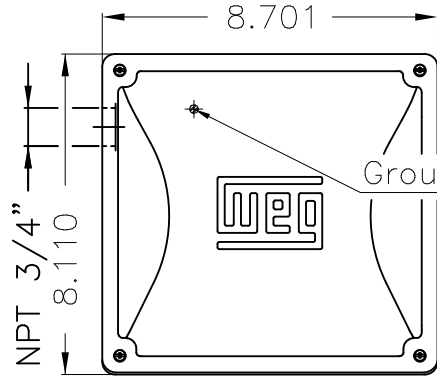
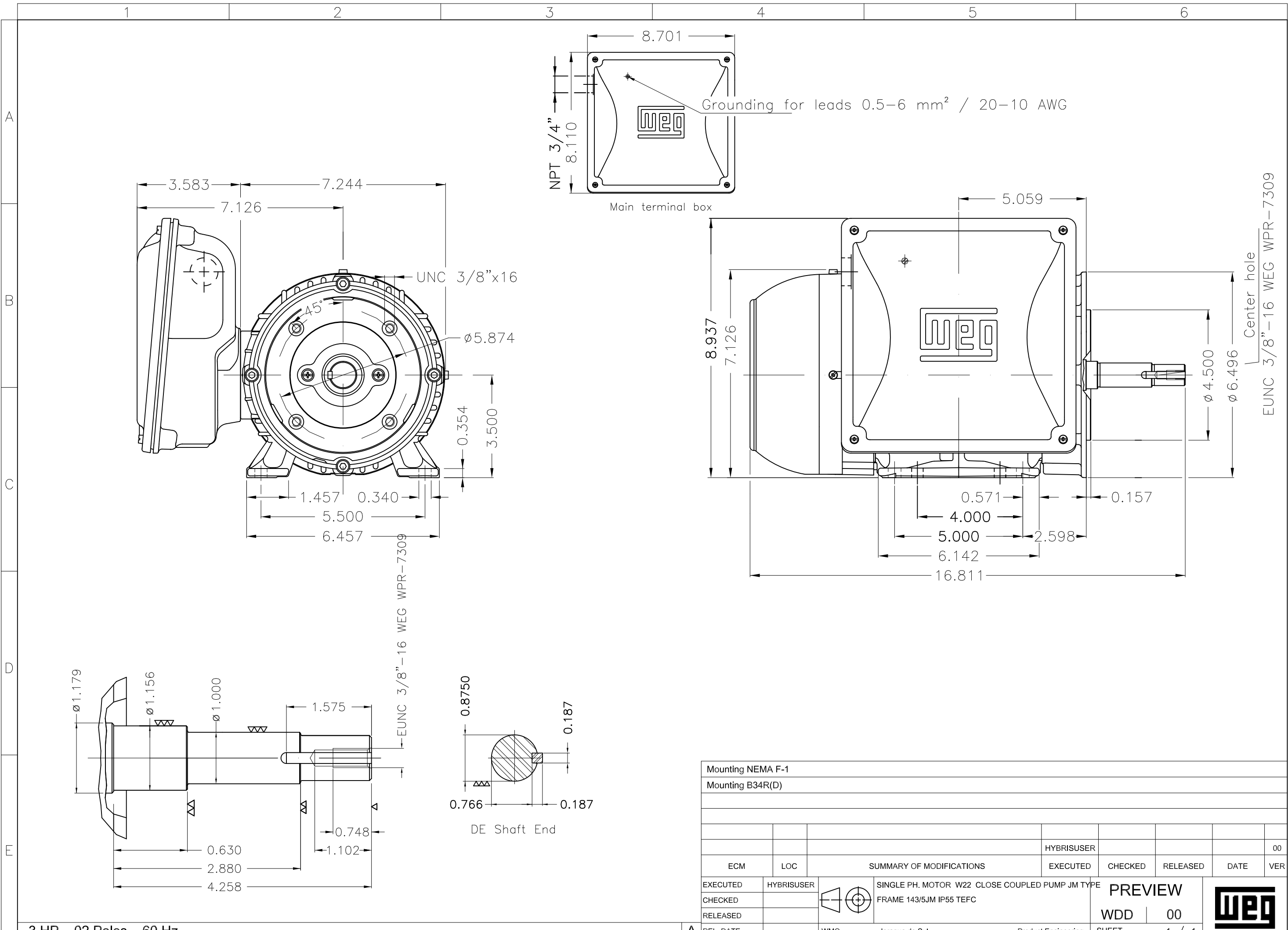


Performance : 115/208-230 V 60 Hz 2P

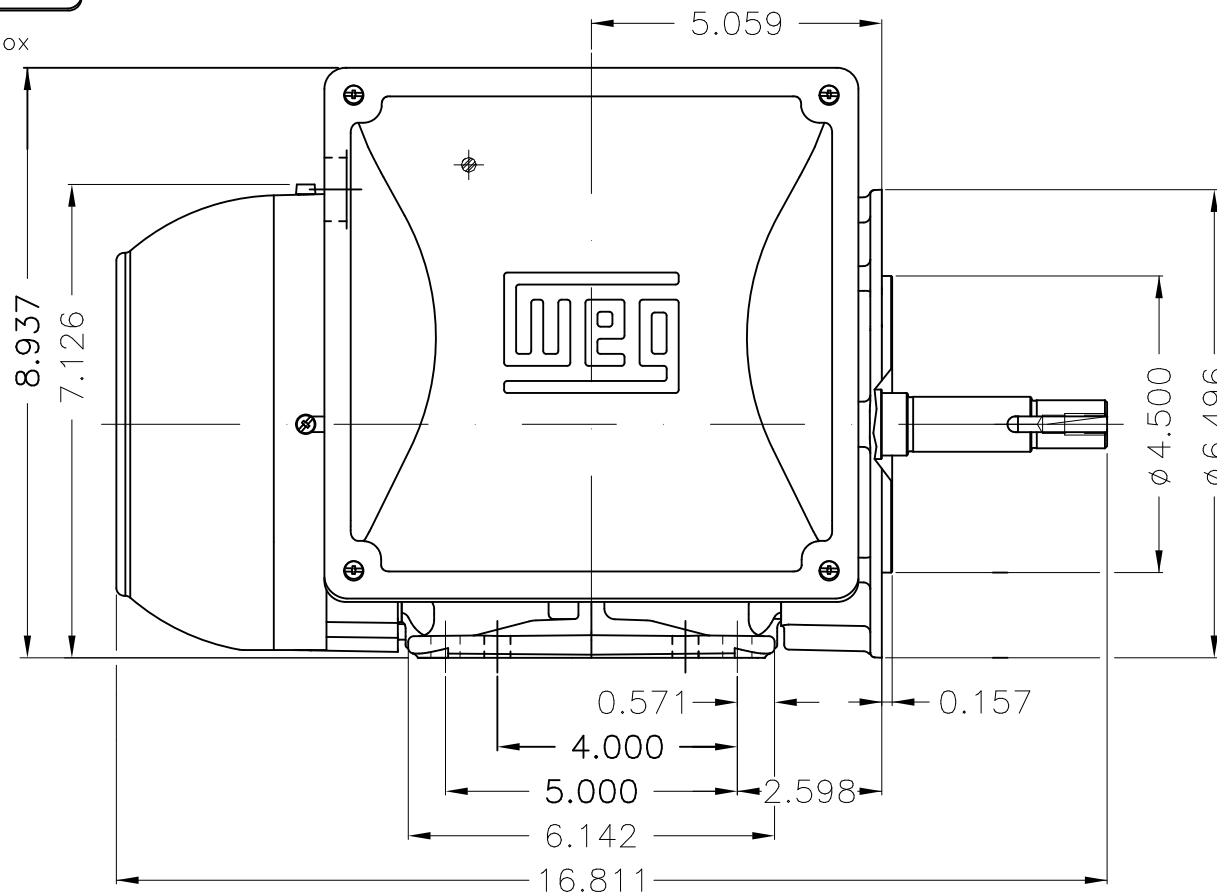
Rated current : 25.0/13.6-12.5 A
 LRC : 7.2
 Rated torque : 0.619 kgfm
 Locked rotor torque : 220 %
 Breakdown torque : 240 %
 Rated speed : 3515 rpm

Moment of inertia (J) : 0.0028 kgm²
 Duty cycle : Cont.(S1)
 Insulation class : F
 Service factor :
 Temperature rise : 80 K

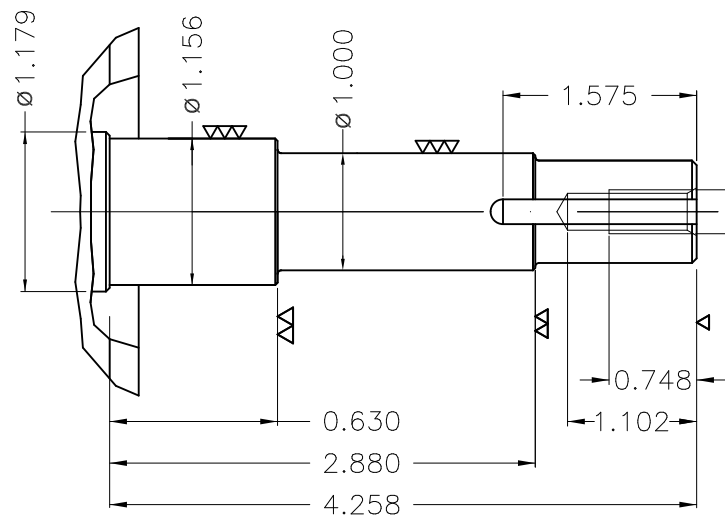
Rev.	Changes Summary	Performed	Checked	Date
Performed by		Page		Revision
Checked by		2 / 2		
Date	28/10/2024			



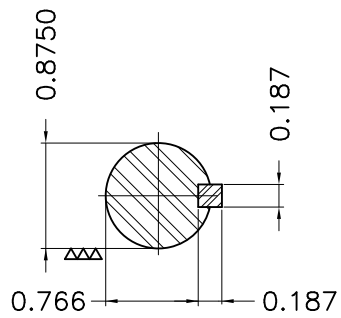
Main terminal box



Center hole
EUNC 3/8"-16 WEG WPR-7309



EUNC 3/8"-16 WEG WPR-7309



DE Shaft End

Mounting NEMA F-1
Mounting B34R(D)

ECM	LOC	SUMMARY OF MODIFICATIONS	EXECUTED	CHECKED	RELEASED	DATE	VER
EXECUTED	HYBRISUSER	SINGLE PH. MOTOR W22 CLOSE COUPLED PUMP JM TYPE					00
CHECKED		FRAME 143/5JM IP55 TEFC					
RELEASED							
REL. DATE	WMO	Jaragua do Sul	Product Engineering	WDD	00	1 / 1	

Dimensions in inches

XME A3

3 HP 02 Poles 60 Hz