

DATA SHEET

Three Phase Induction Motor - Squirrel Cage



Customer :

Product line : General High Efficiency Three-Phase Product code : 11994425

Frame	: E143/5TC	Locked rotor time	: 27s (cold) 15s (hot)
Output	: 1.5 HP (1.1 kW)	Temperature rise	: 80 K
Poles	: 2	Duty cycle	: Cont.(S1)
Frequency	: 60 Hz	Ambient temperature	: -20°C to +40°C
Rated voltage	: 575 V	Altitude	: 1000 m.a.s.l.
Rated current	: 1.56 A	Protection degree	: IP21
L. R. Amperes	: 13.7 A	Cooling method	: IC01 - ODP
LRC	: 8.8x(Code L)	Mounting	: F-1
No load current	: 0.760 A	Rotation ¹	: Both (CW and CCW)
Rated speed	: 3430 rpm	Noise level ²	: 58.0 dB(A)
Slip	: 4.72 %	Starting method	: Direct On Line
Rated torque	: 0.317 kgfm	Approx. weight ³	: 0.0 kg
Locked rotor torque	: 420 %		
Breakdown torque	: 340 %		
Insulation class	: F		
Service factor	: 1.15		
Moment of inertia (J)	: 0.0018 kgm ²		
Design	: B		

Output	50%	75%	100%	Foundation loads	
Efficiency (%)	81.5	84.0	84.0	Max. traction	: 30 kgf
Power Factor	0.69	0.80	0.86	Max. compression	: 30 kgf

	Drive end	Non drive end
Bearing type	: 6205 ZZ	6204 ZZ
Sealing	: Without Bearing Seal	Without Bearing Seal
Lubrication interval	: -	-
Lubricant amount	: -	-
Lubricant type	: Mobil Polyrex EM	

Notes

This revision replaces and cancel the previous one, which must be eliminated.

- (1) Looking the motor from the shaft end.
- (2) Measured at 1m and with tolerance of +3dB(A).
- (3) Approximate weight subject to changes after manufacturing process.
- (4) At 100% of full load.

These are average values based on tests with sinusoidal power supply, subject to the tolerances stipulated in NEMA MG-1.

Rev.	Changes Summary	Performed	Checked	Date
Performed by				
Checked by			Page	Revision
Date	02/04/2025		1 / 2	

LOAD PERFORMANCE CURVE

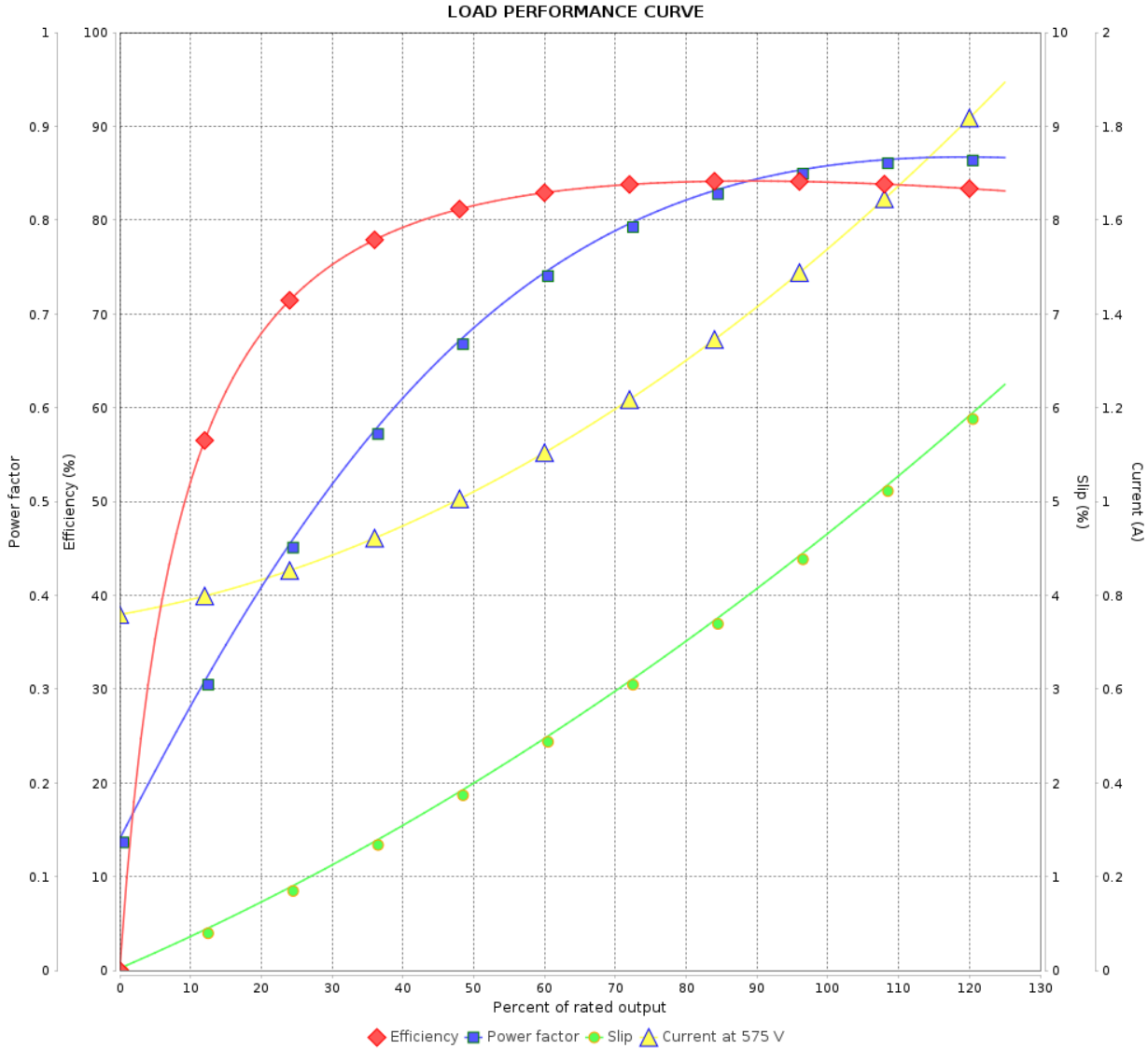
Three Phase Induction Motor - Squirrel Cage



Customer : _____

Product line : General High Efficiency Three-Phase

Product code : 11994425

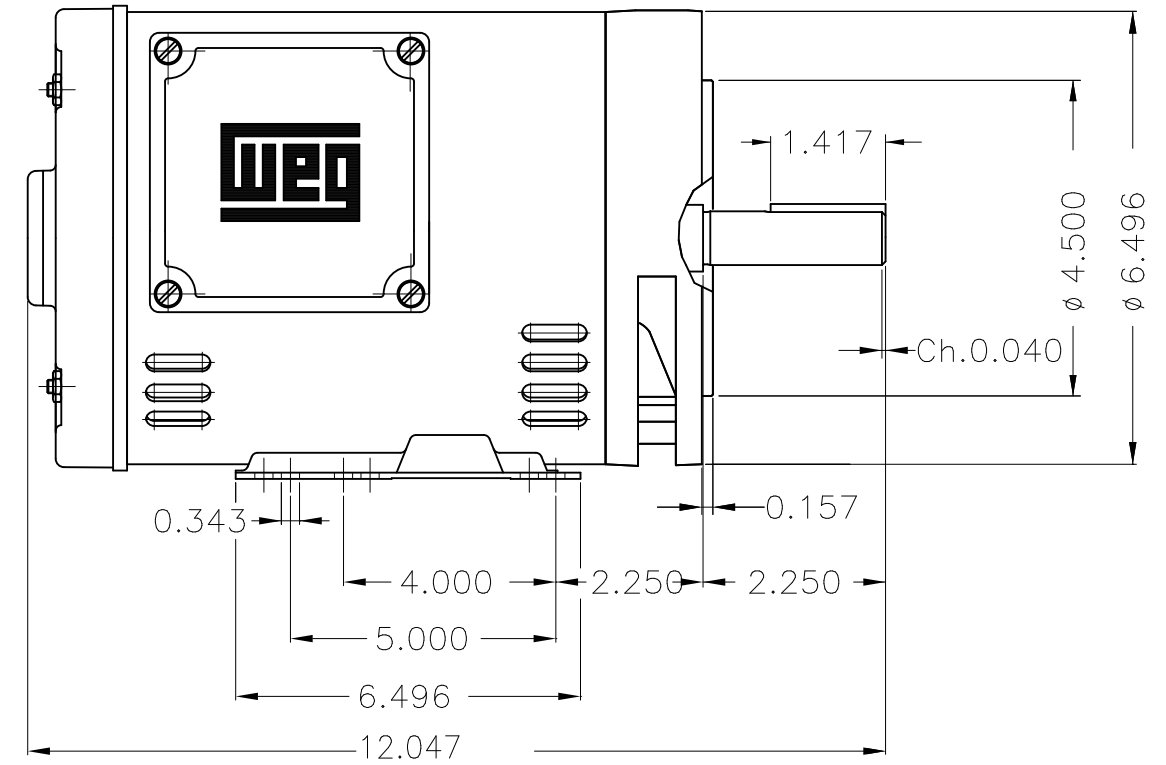
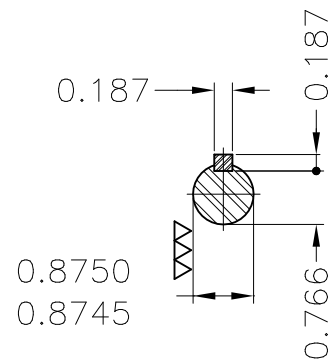
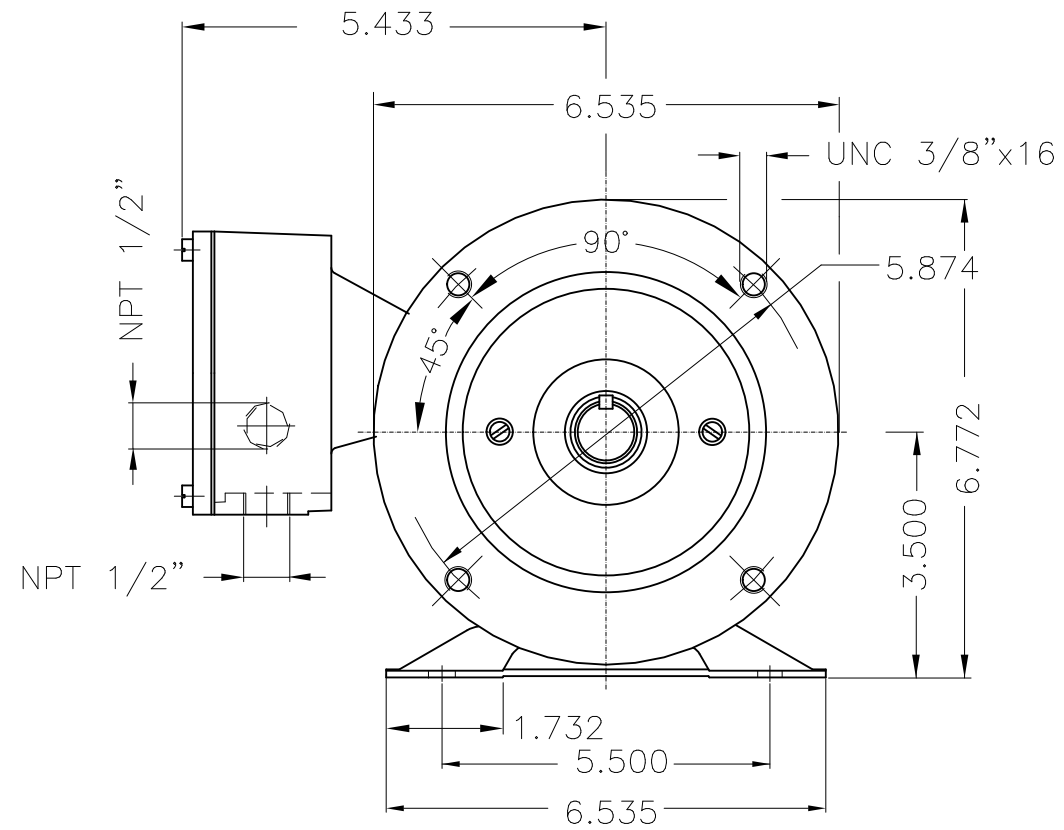


Performance : 575 V 60 Hz 2P

Rated current : 1.56 A
 LRC : 8.8
 Rated torque : 0.317 kgfm
 Locked rotor torque : 420 %
 Breakdown torque : 340 %
 Rated speed : 3430 rpm

Moment of inertia (J) : 0.0018 kgm²
 Duty cycle : Cont.(S1)
 Insulation class : F
 Service factor : 1.15
 Temperature rise : 80 K
 Design : B

Rev.	Changes Summary	Performed	Checked	Date
Performed by			Page 2 / 2	Revision
Checked by				
Date	02/04/2025			



Mounting B34R(D)									
					HYBRISUSER	00			
ECM	LOC	SUMMARY OF MODIFICATIONS			EXECUTED	CHECKED	RELEASED	DATE	VER
EXECUTED	HYBRISUSER	THREE PH. MOTOR GENERAL HIGH EFF.			PREVIEW		WDD 00		
CHECKED		FRAME E143/5TC IP21 ODP			WDD		00		
RELEASED					SHEET		1 / 1		
REL. DATE	WMO	Jaragua do Sul	Product Engineering	SHEET		1 / 1			

1.5 HP 02 Poles 60 Hz